

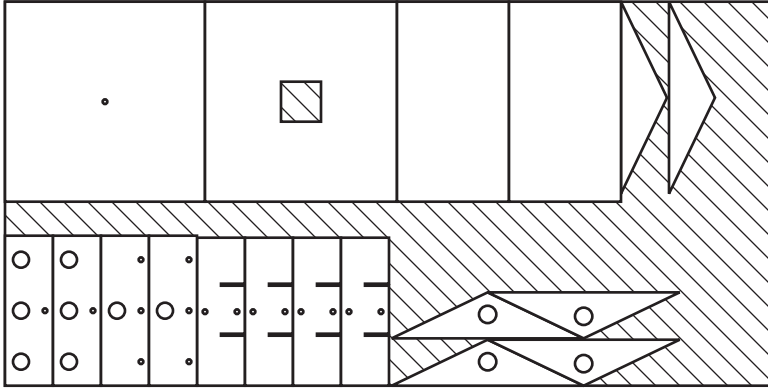
PURPLE MARTIN HOUSE

NOTE: This plan is for a one-story house.
To add a second story, make one more ceiling unit (25" x 25"), four more sides, and four more room partitions.

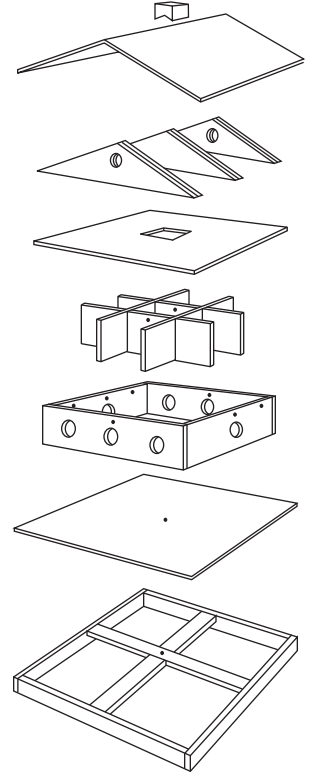
(not shown) Place 1/2" dowel railing around balcony to keep young from falling.

MATERIALS:

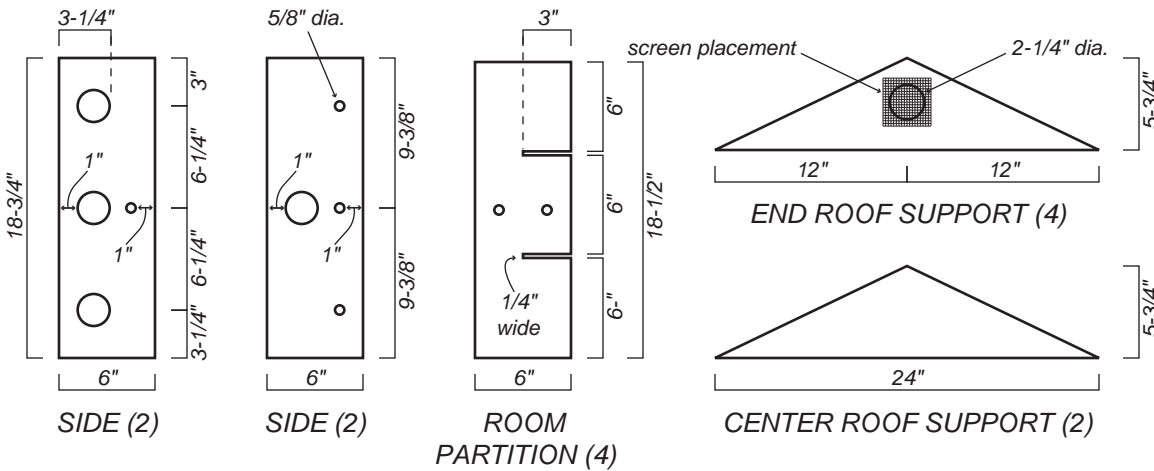
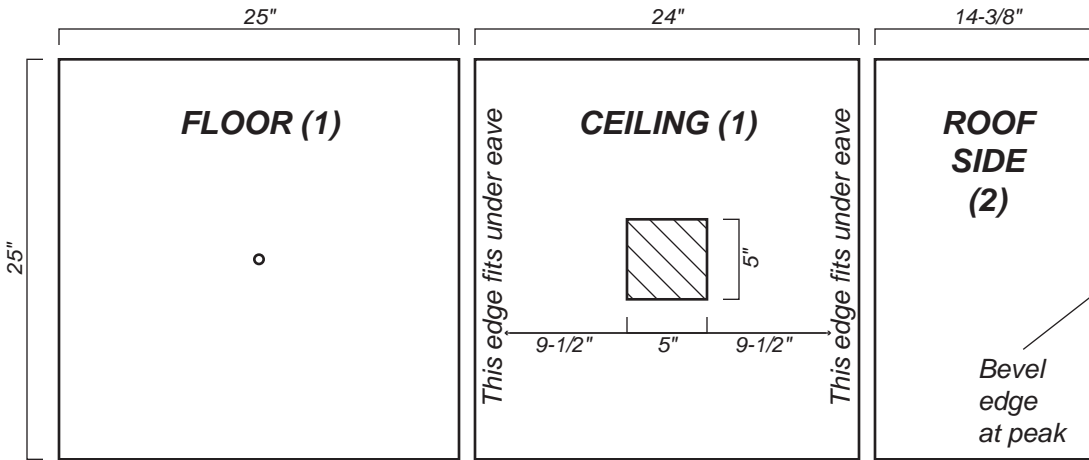
- 4' x 8' x 1/4" plywood
- 2" x 2" x 6" for chimney
- 1" x 2" x 14' (base)
- 1" x 1" x 8' (corner blocks)
- 4" x 8" metal window screen
- 4" x 4" x 14' cedar post



LAYOUT PATTERN
(4' x 8' sheet of plywood)



EXPANDED VIEW OF MARTIN HOUSE. A THREADED ROD INSERTS THROUGH THE BASE AND UP THROUGH THE CHIMNEY.



Entrance hole diameter: 2-1/4"

Locate 5/8" ventilation holes 1" below top edge of sides

