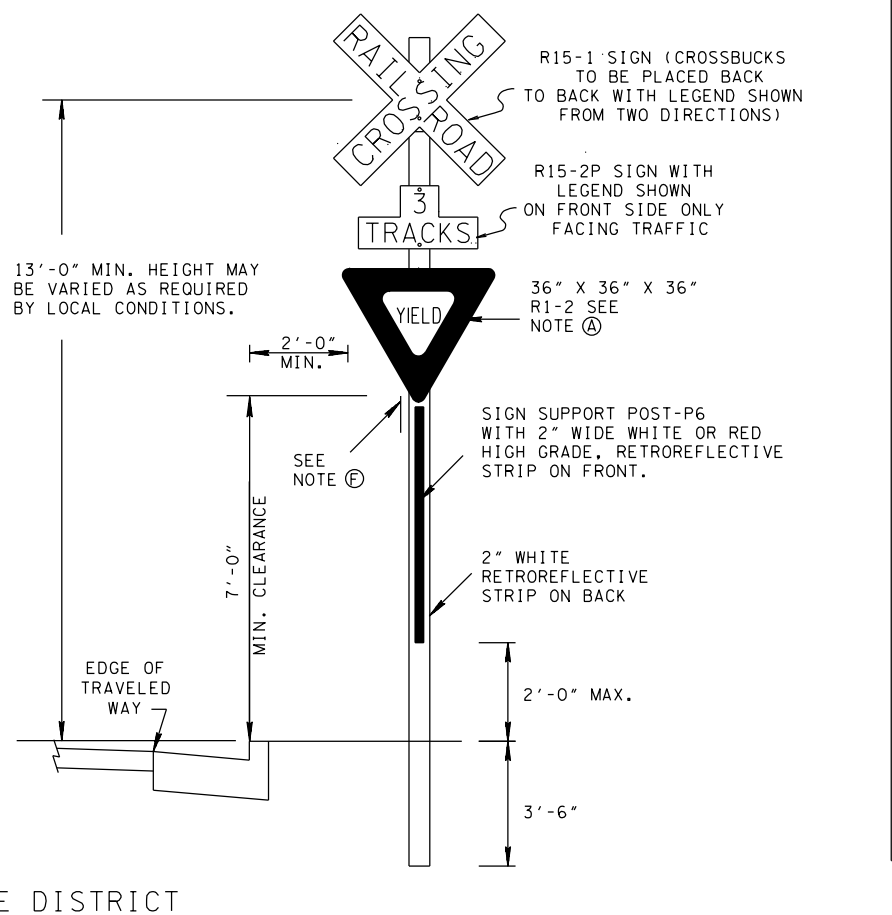
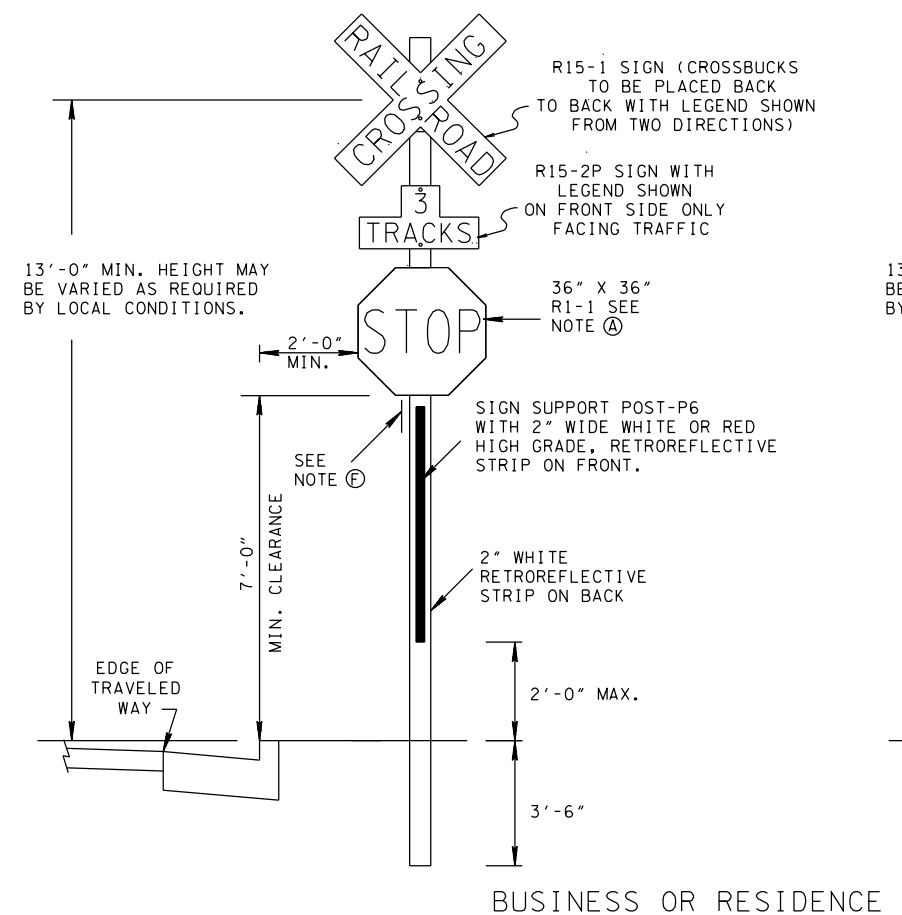
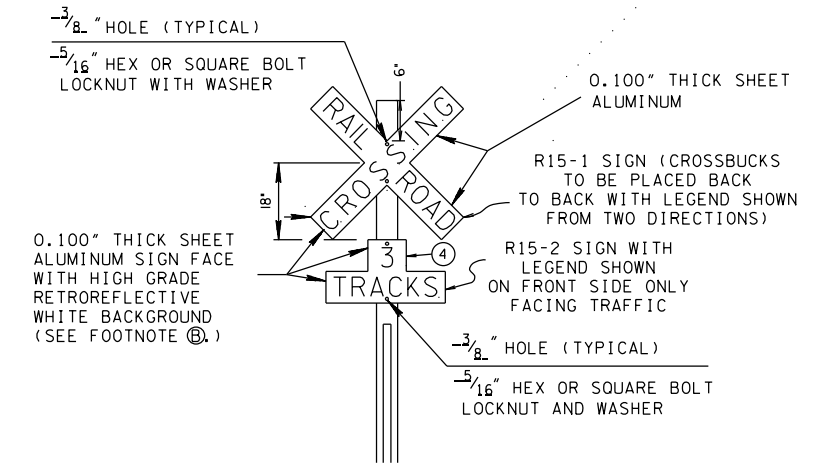
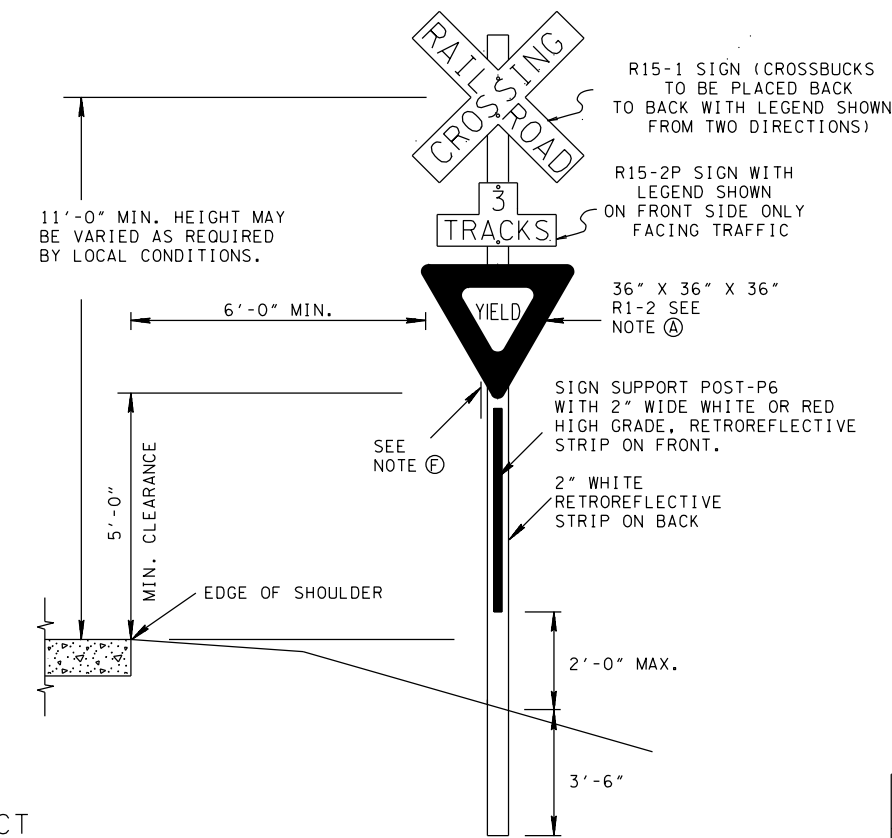
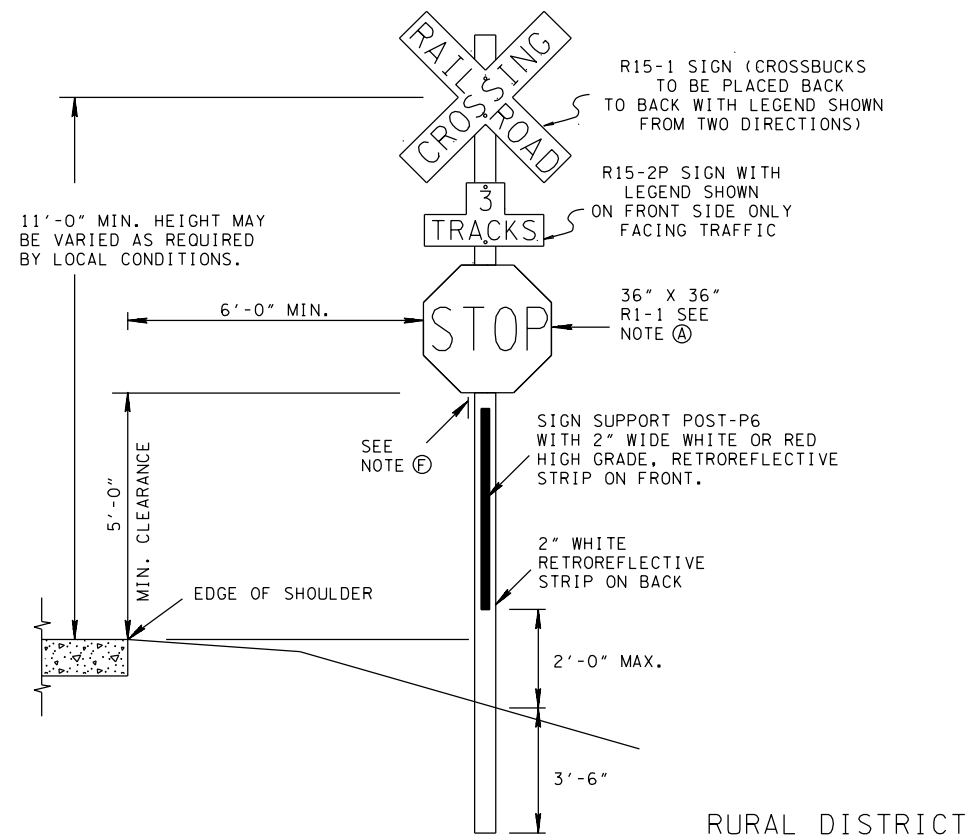


STOP OR YIELD SIGN ON SAME POST WITH THE CROSSBUCK SIGN
AT PASSIVE HIGHWAY-RAIL GRADE CROSSINGS

REV. 11-1-11: REVISED GENERAL NOTES (A) AND (D). ADDED GENERAL NOTE (C). CHANGED R-15-2 SIGNS TO R15-2P.

REV. 7-2-15: ADDED DETAILS. ADDED GENERAL NOTES (H).



GENERAL NOTES

- (A) YIELD SIGNS SHALL BE THE DEFAULT SIGN AND SHALL BE USED UNLESS AN ENGINEERING STUDY DETERMINES THAT A STOP SIGN IS REQUIRED. IF A STOP SIGN IS REQUIRED, 36" X 36" STOP AHEAD (W3-1) SHALL BE PLACED IN ADVANCE OF THE RAILROAD SIGN (W10-1) ACCORDING TO SECTION 2C.05 AND TABLE 2C-4 IN THE MUTCD. FOR SINGLE LANE CONVENTIONAL ROADS USE 36"X36"X36" YIELD SIGN. FOR MULTI-LANE CONVENTIONAL ROADS USE 48"X48"X48" YIELD SIGN FOR ADDITIONAL INFORMATION FOR STOP AND YIELD SIGN SIZES, SEE TABLE 8B-1 OF THE MUTCD.
- (B) ONLY REFLECTIVE SHEETING ON THE QUALIFIED PRODUCT LIST (10A) SHALL BE USED.
- (C) RAILROAD CROSS-BUCK SIGN AND SUPPORT, YIELD/STOP SIGN, NUMBER OF TRACKS AUXILIARY SIGN, AND TRACK ID PLATE IS TO BE PAID FOR UNDER ITEM NO. 713-16.05, RAILROAD CROSS-BUCK SIGN AND SUPPORT PER EACH. THIS PAY ITEM SHALL INCLUDE THE FURNISHING AND INSTALLING OF THE SIGNS, SUPPORT AND HARDWARE.
- (D) LOCATION OF THE CROSSBUCK SIGN AND SUPPORT WITH RESPECT TO THE CENTERLINE OF THE NEAREST TRACK SHALL BE IN ACCORDANCE WITH THE TYPICAL LOCATION PLAN FOR FLASHING LIGHT SIGNAL LOCATIONS AS SHOWN ON FIGURE 8C-2 OF THE CURRENT EDITION OF THE MANUAL ON UNIFORM TRAFFIC CONTROL DEVICES (MUTCD). SEE SECTION 8C.06 OF THE MUTCD FOR ADDITIONAL INFORMATION.
- (E) IF AN EXISTING CROSSBUCK SIGN AND SUPPORT IS TO BE REMOVED, THE CONTRACTOR SHALL REMOVE AND INSTALL THE EXISTING AAR NUMBER PLATE ON THE PROPOSED CROSSBUCK SIGN. ALL COST ARE TO BE INCLUDED IN THE PRICE BID FOR ITEM NO. 713-16.05.
- (F) TRACK ID PLATE TO BE MOUNTED ON LEFT SIDE FACING TRACK.
- (G) SEE FIGURE 8B-2 AND SECTION 8B.04 OF THE MUTCD FOR ADDITIONAL INFORMATION FOR PASSIVE GRADE CROSSINGS.
- (H) IF THERE ARE TWO OR MORE TRACKS, INCLUDING SIDINGS, THE NUMBER OF TRACKS SHALL BE INDICATED ON AN AUXILIARY SIGN OF INVERTED T-SHARE IS MOUNTED BELOW THE CROSSBUCK.
- (I) IF ROCK IS ENCOUNTERED DURING THE INSTALLATION OF SUPPORT POSTS, THE HOLES FOR THE SUPPORTS SHALL BE DRILLED TO PROVIDE THE MINIMUM 3'-6" DEPTH IN GROUND.
- (J) SEE T-S-16 FOR LAP SPLICE DETAILS.
- (K) TO BE PAID UNDER ITEM NO. 713-16.20 THRU 39.

MINOR REVISION -- FHWA APPROVAL NOT REQUIRED.

STATE OF TENNESSEE
DEPARTMENT OF TRANSPORTATION

GROUND MOUNTED
ROADSIDE
SIGN PLACEMENT
DETAILS

T-S-16A