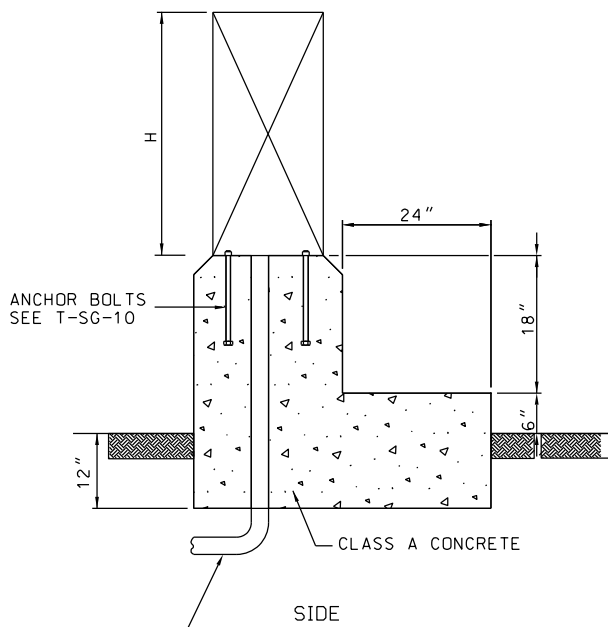
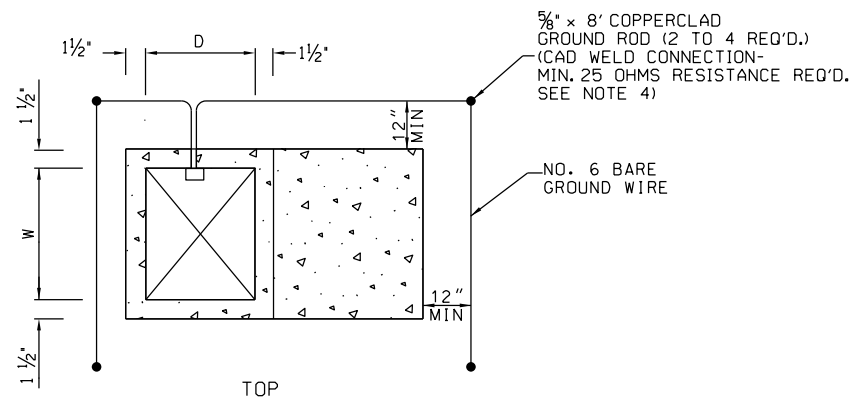


APPROXIMATE MINIMUM DIMENSIONS FOR CONTROLLER EQUIPMENT CABINET *				
TYPE	HEIGHT(H)	WIDTH(W)	DEPTH(D)	USE
4 PHASE POLE MOUNTED	49"	30"	17"	8 PHASE CONTROLLER-4 PHASE OPERATION
4 PHASE BASE MOUNTED	55"	38"	26"	8 PHASE CONTROLLER-4 PHASE OPERATION
8 PHASE BASE MOUNTED (OR 4 PHASE WITH MASTER)	55"	44"	26"	8 PHASE CONTROLLER-8 PHASE OPERATION OR 4 PHASE OPERATION W/MASTER

* LARGER SIZES MAY BE REQUIRED FOR LOCATIONS WITH ADDITIONAL EQUIPMENT.

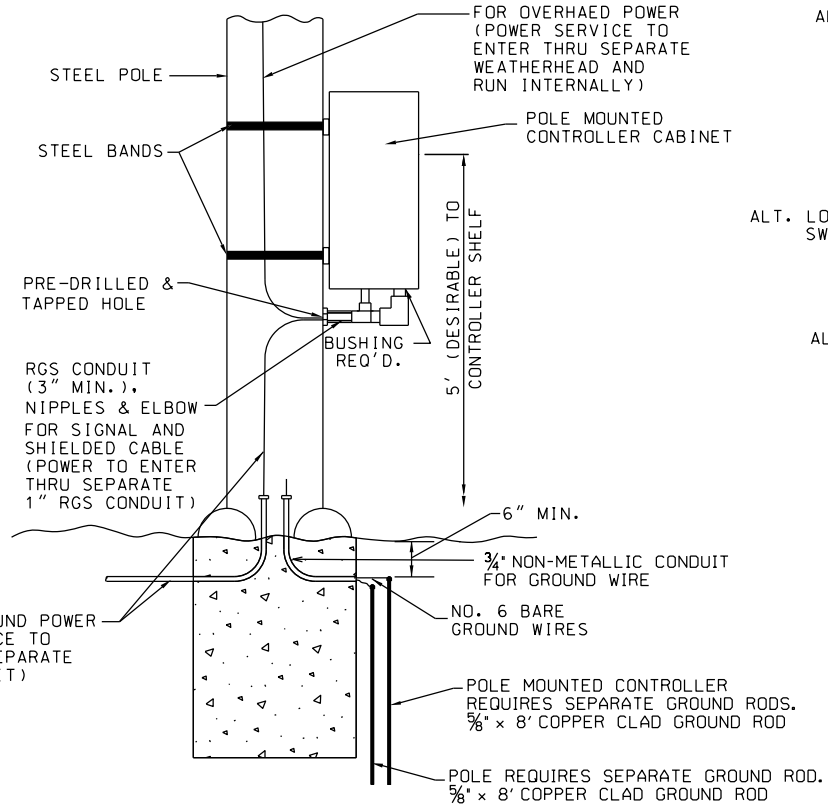


CABLES IN CONDUIT (TYPE & NO. MAY VARY, SEE PLANS.) ONE EXTRA CONDUIT REQ'D. TO BE STUBBED AND CAPPED 12" BEYOND FOUNDATION.

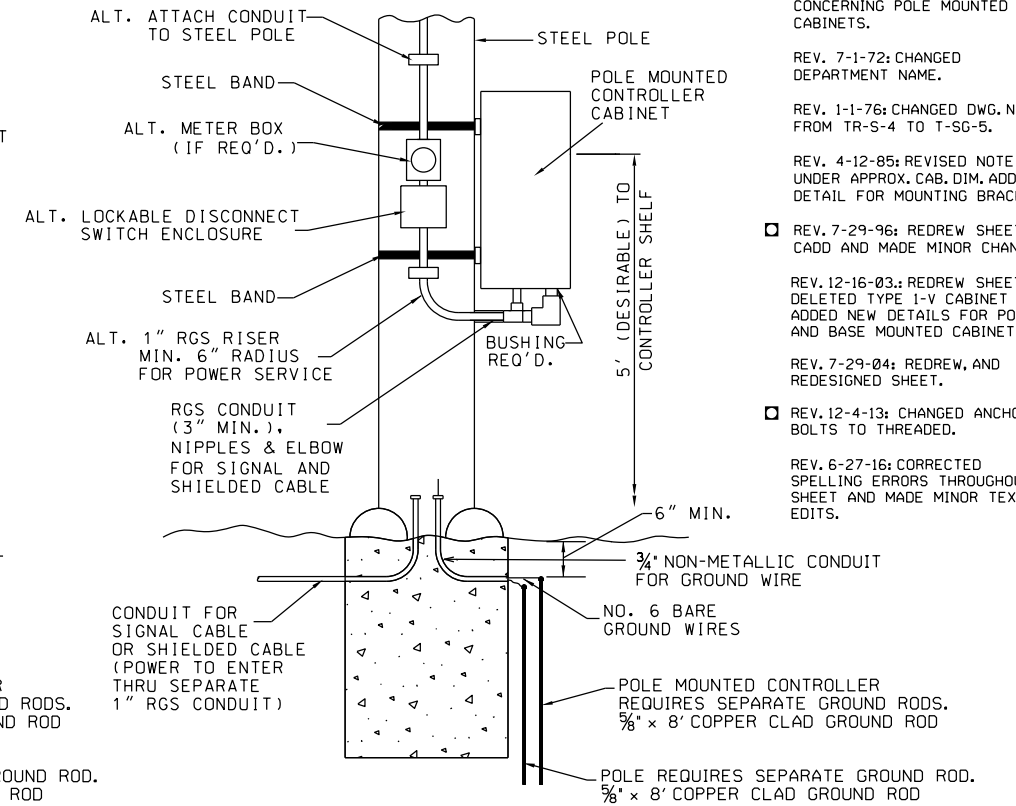
TYPICAL DETAIL OF BASE FOR CONTROLLER CABINET

BASE MOUNTED CABINET NOTES:

1. THE BASE MOUNTED CABINET IS TO BE SITUATED IN THE OPTIMUM POSITION FOR VIEWING THE CONTROLLER OPERATION AND THE ON STREET SIGNAL DISPLAYS SIMULTANEOUSLY.
2. ALL CONDUIT TO UTILIZE LARGE SWEEP RADIUS (MINIMUM 6" RADIUS).
3. FOUNDATIONS TO HAVE ONE SPARE 2" CONDUIT. SPARE CONDUIT TO EXTEND 24" BEYOND FOUNDATION AND BE CAPPED.
4. UP TO 4 GROUND RODS MAY BE REQUIRED. CONTRACTOR TO INSTALL NUMBER OF GROUND RODS REQUIRED TO ACHIEVE MINIMUM 25 OHMS RESISTANCE A MINIMUM OF 2 GROUND RODS ARE REQUIRED.

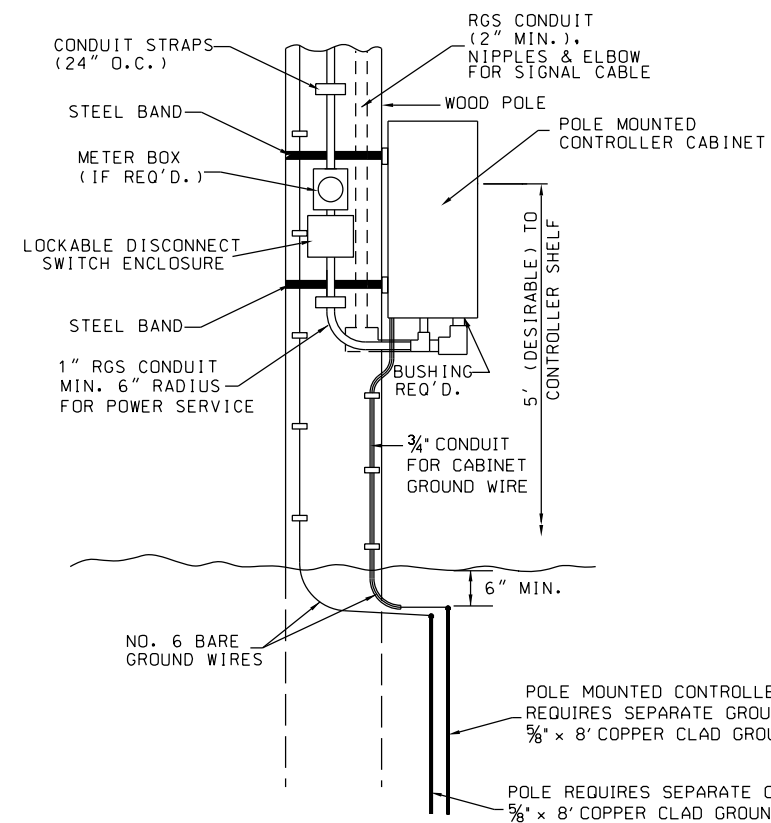
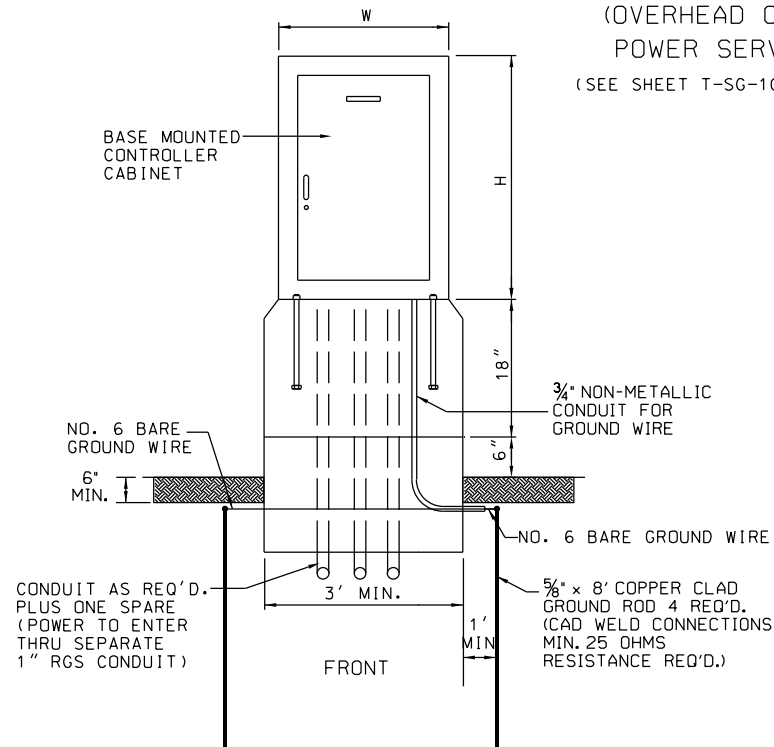


TYPICAL DETAIL FOR STEEL STRAIN POLE MOUNTED CONTROLLER CABINET (OVERHEAD OR UNDERGROUND POWER SERVICE ENTRANCE) (SEE SHEET T-SG-10 FOR FOUNDATION DETAILS)

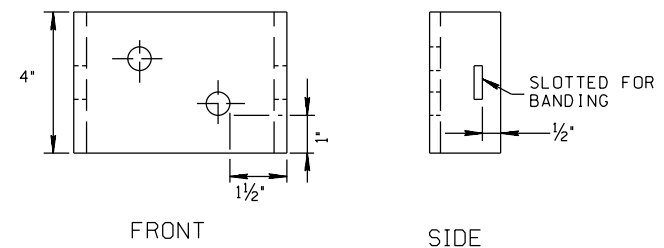
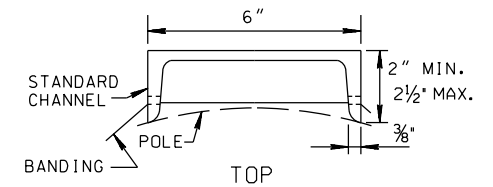


ALTERNATE TYPICAL DETAIL FOR STEEL STRAIN POLE MOUNTED CONTROLLER CABINET (OVERHEAD POWER SERVICE ENTRANCE)*

(SEE SHEET T-SG-10 FOR FOUNDATION DETAILS)
* TYPICAL POWER SERVICE TO BE RUN INTERNALLY DOWN POLE FROM WEATHERHEAD AT TOP OF POLE.



TYPICAL DETAIL FOR WOOD POLE MOUNTED CONTROLLER CABINET



MOUNTING BRACKET FOR POLE MOUNTED CONTROLLER CABINET (TWO PER CABINET)

MINOR REVISION -- FHWA APPROVAL NOT REQUIRED.

REV. 6-7-72: ADDED NOTE CONCERNING POLE MOUNTED CABINETS.

REV. 7-1-72: CHANGED DEPARTMENT NAME.

REV. 1-1-76: CHANGED DWG. NO. FROM TR-S-4 TO T-SG-5.

REV. 4-12-85: REVISED NOTE UNDER APPROX. CAB. DIM. ADDED DETAIL FOR MOUNTING BRACKET.

REV. 7-29-96: REDREW SHEET ON CADD AND MADE MINOR CHANGES.

REV. 12-16-03: REDREW SHEET. DELETED TYPE 1-V CABINET AND ADDED NEW DETAILS FOR POLE AND BASE MOUNTED CABINETS.

REV. 7-29-04: REDREW, AND REDESIGNED SHEET.

REV. 12-4-13: CHANGED ANCHOR BOLTS TO THREADED.

REV. 6-27-16: CORRECTED SPELLING ERRORS THROUGHOUT THE SHEET AND MADE MINOR TEXT EDITS.

STATE OF TENNESSEE DEPARTMENT OF TRANSPORTATION

CONTROLLER CABINET DETAILS

JAN 1970 I-SG-5