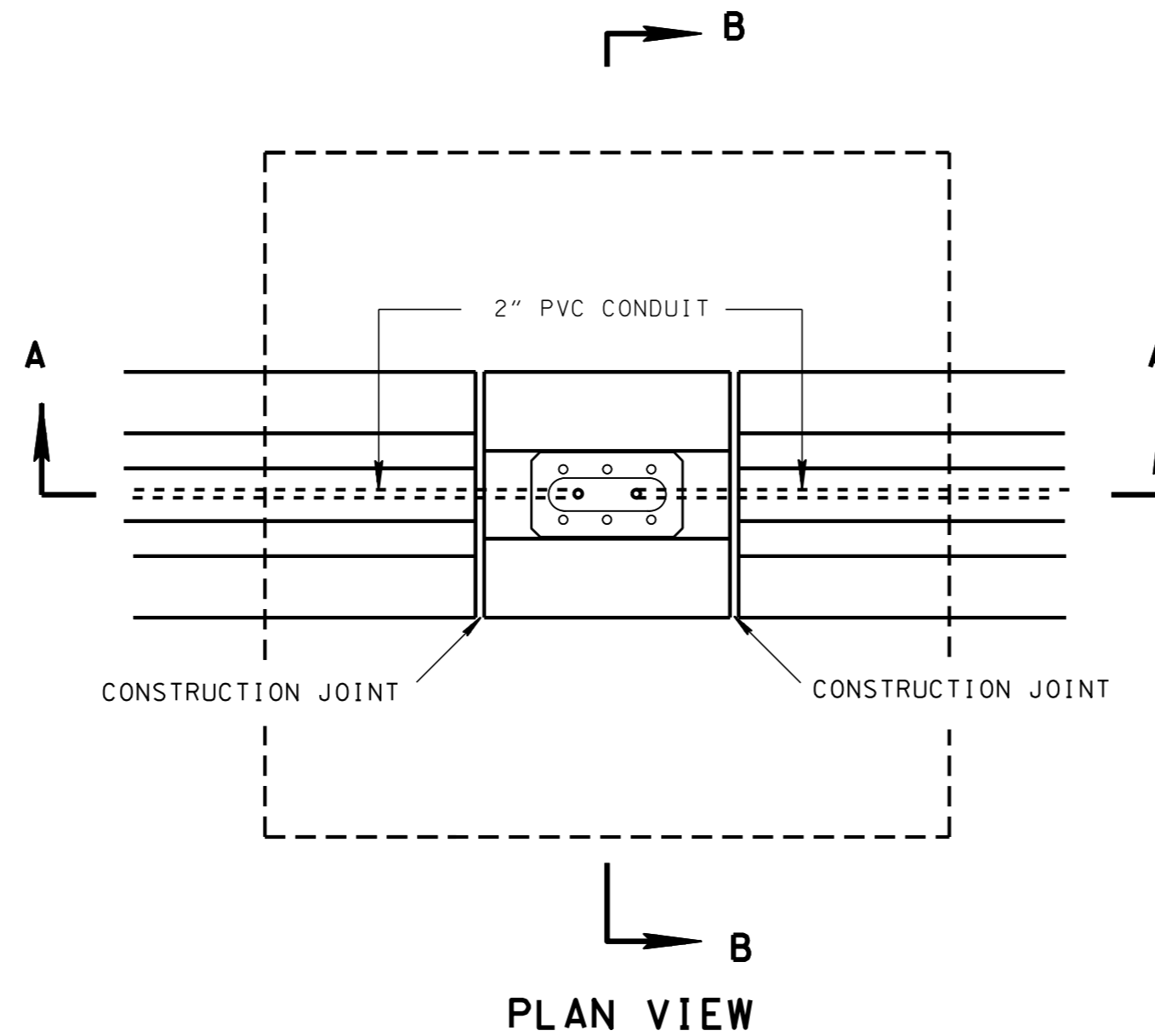


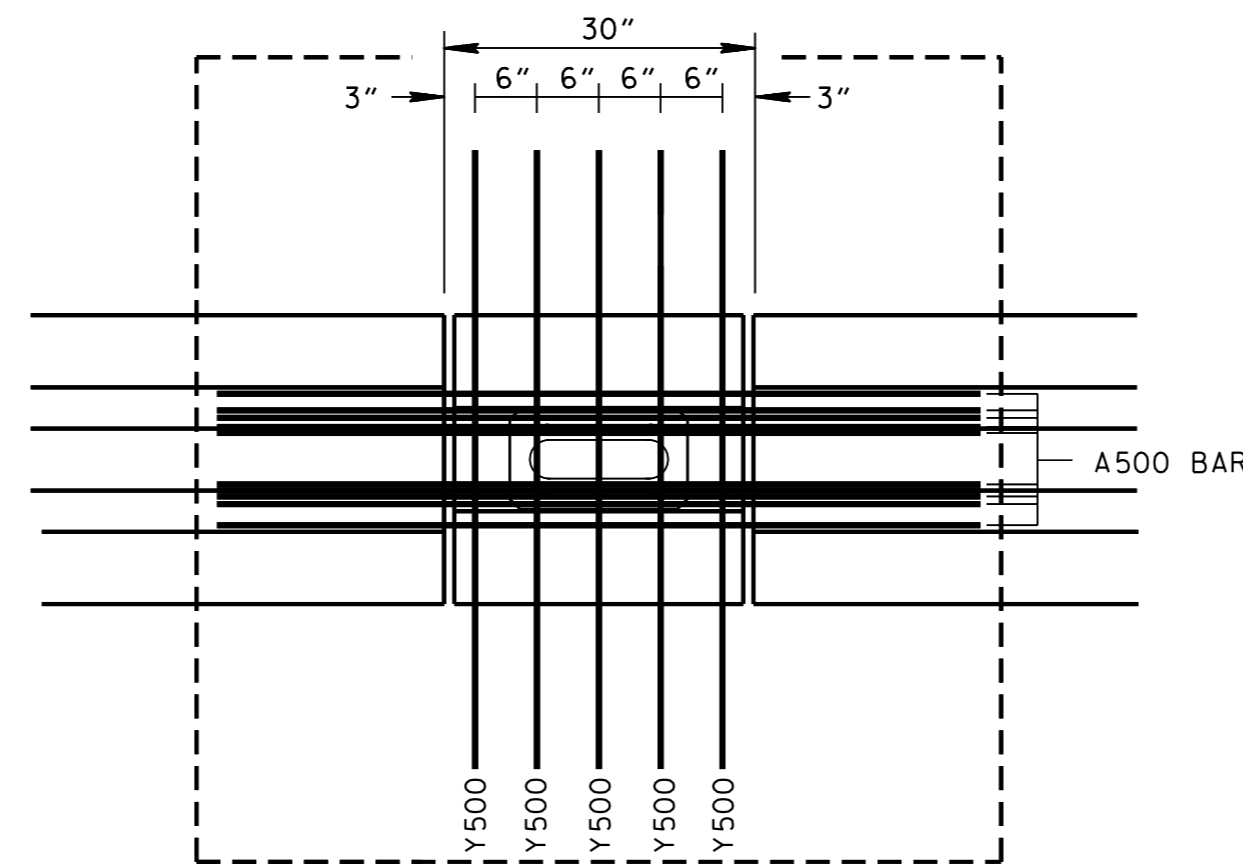
ELEVATION VIEW

GENERAL NOTES

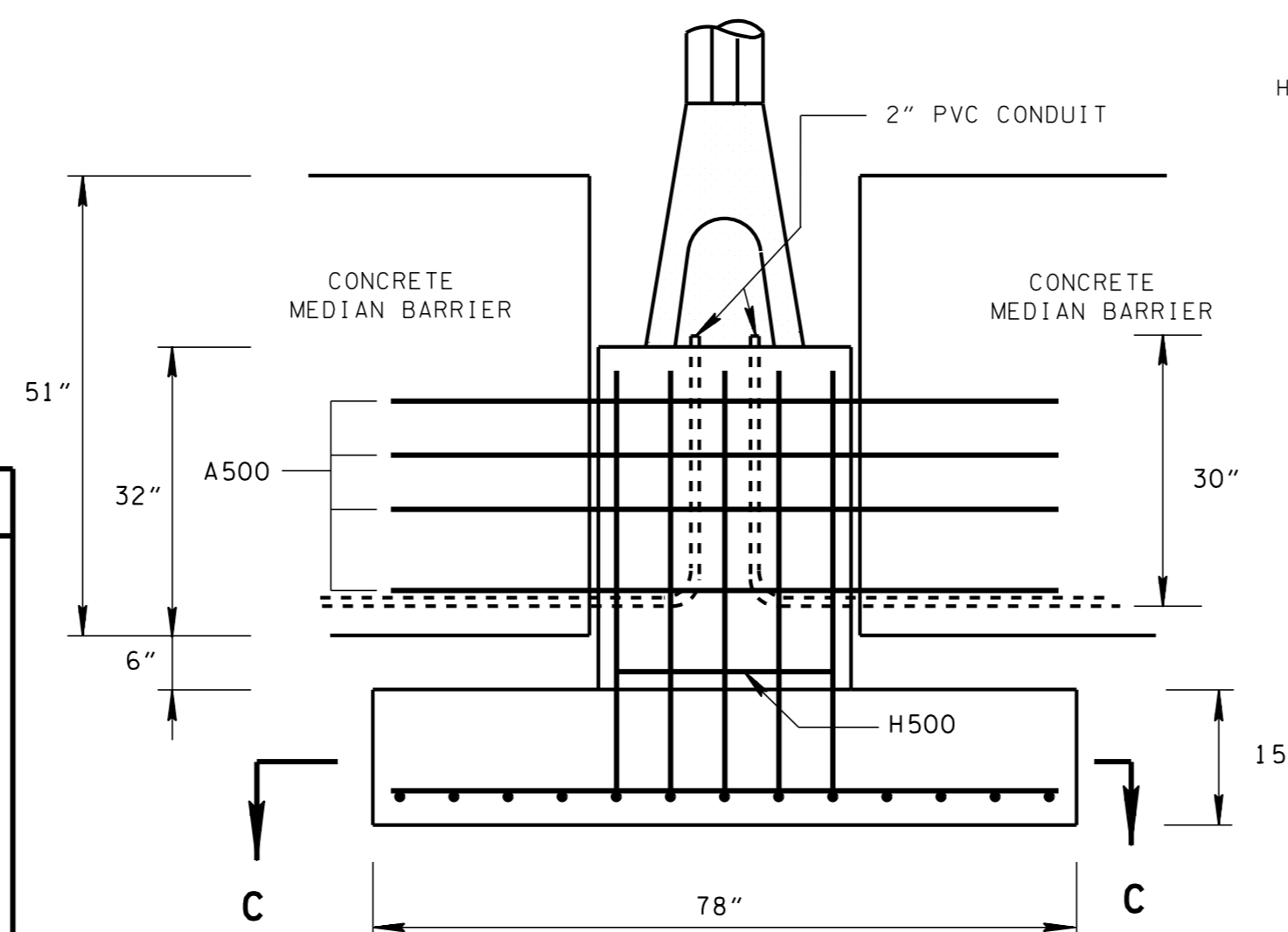
- (A) MATERIALS IN CONCRETE MEDIAN BARRIER WALL AND FOOTINGS ARE TO MEET THE FOLLOWING SPECIFICATIONS:
 CONCRETE: $F_c = 4,000$ POUNDS PER SQUARE INCH AT 28 DAYS
 REINFORCING STEEL: ASTM A615, $F_y = 60,000$ POUNDS PER SQUARE INCH
 ALL REINFORCING STEEL IS TO BE EPOXY COATED AND INSTALLED AS DETAILED ON THIS DRAWING.
- (B) ESTIMATED QUANTITIES :
 CLASS "A" CONCRETE= 2.40 CUBIC YARD
 NO. 5 STEEL REINFORCING BARS= 298 POUNDS
- (C) UNIT PRICE ITEM NO. 714-08.26, FOUNDATION FOR LIGHT STANDARDS (MEDIAN BARRIER) PER EACH SHALL INCLUDE ALL COSTS OF FURNISHING AND INSTALLING ALL MATERIALS AND LABOR NECESSARY TO CONSTRUCT THE PORTION OF THE MEDIAN BARRIER AND THE FOOTINGS SUPPORTING THE LIGHT STANDARDS.



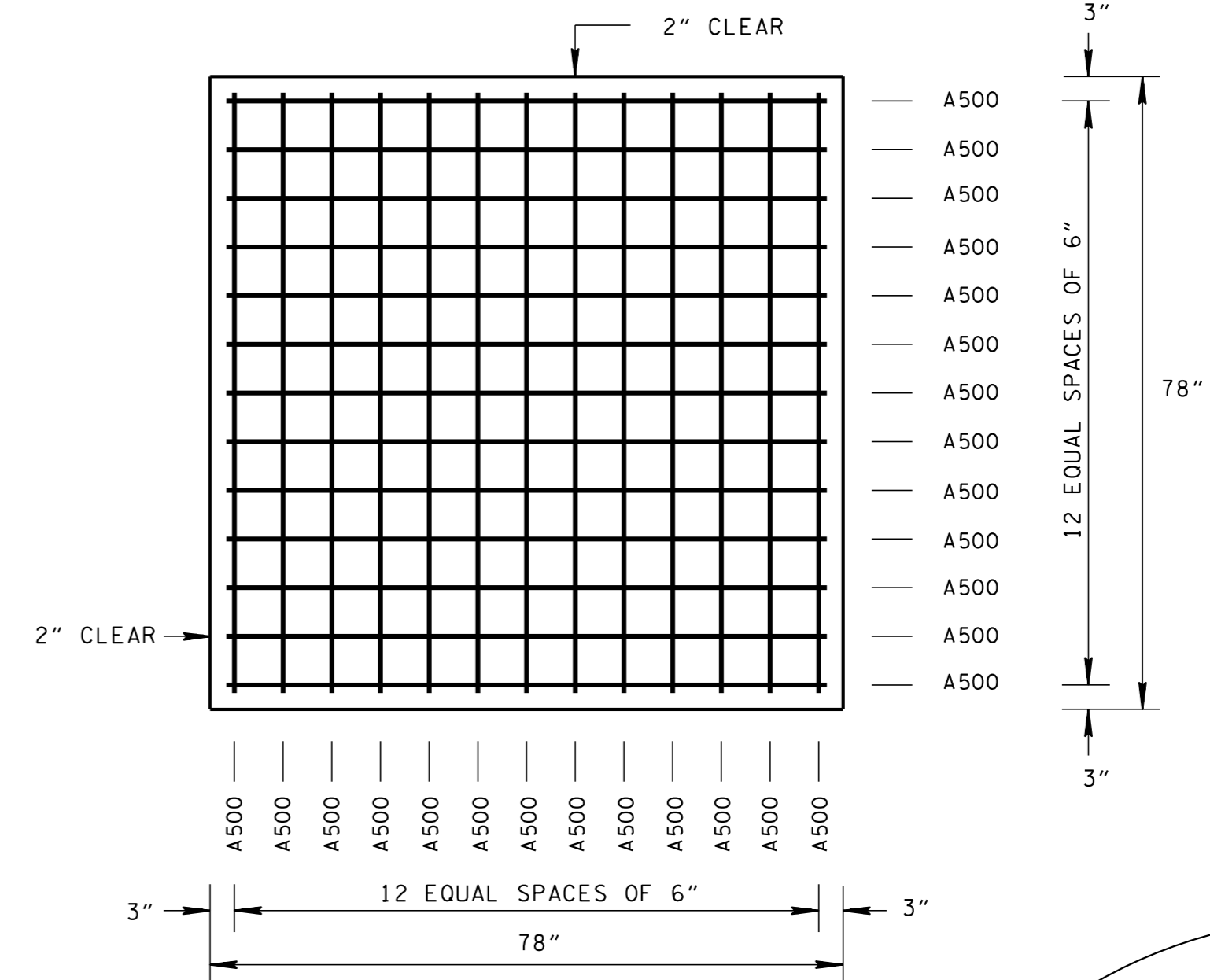
PLAN VIEW



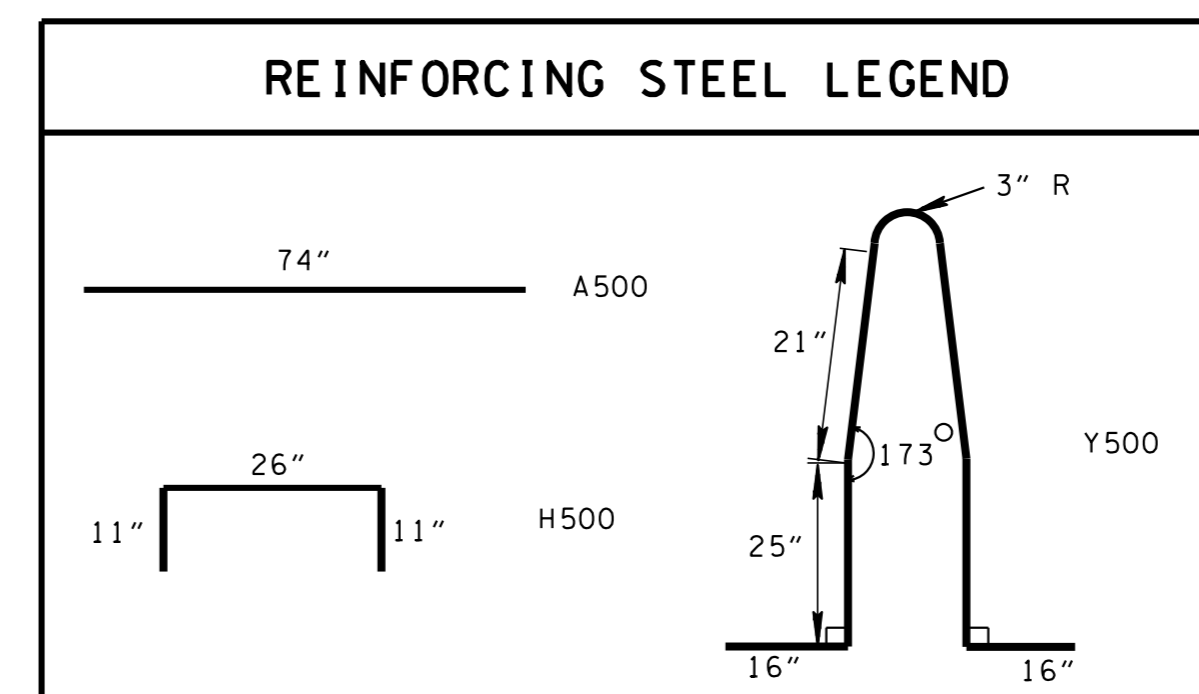
PLAN VIEW SHOWING REINFORCING



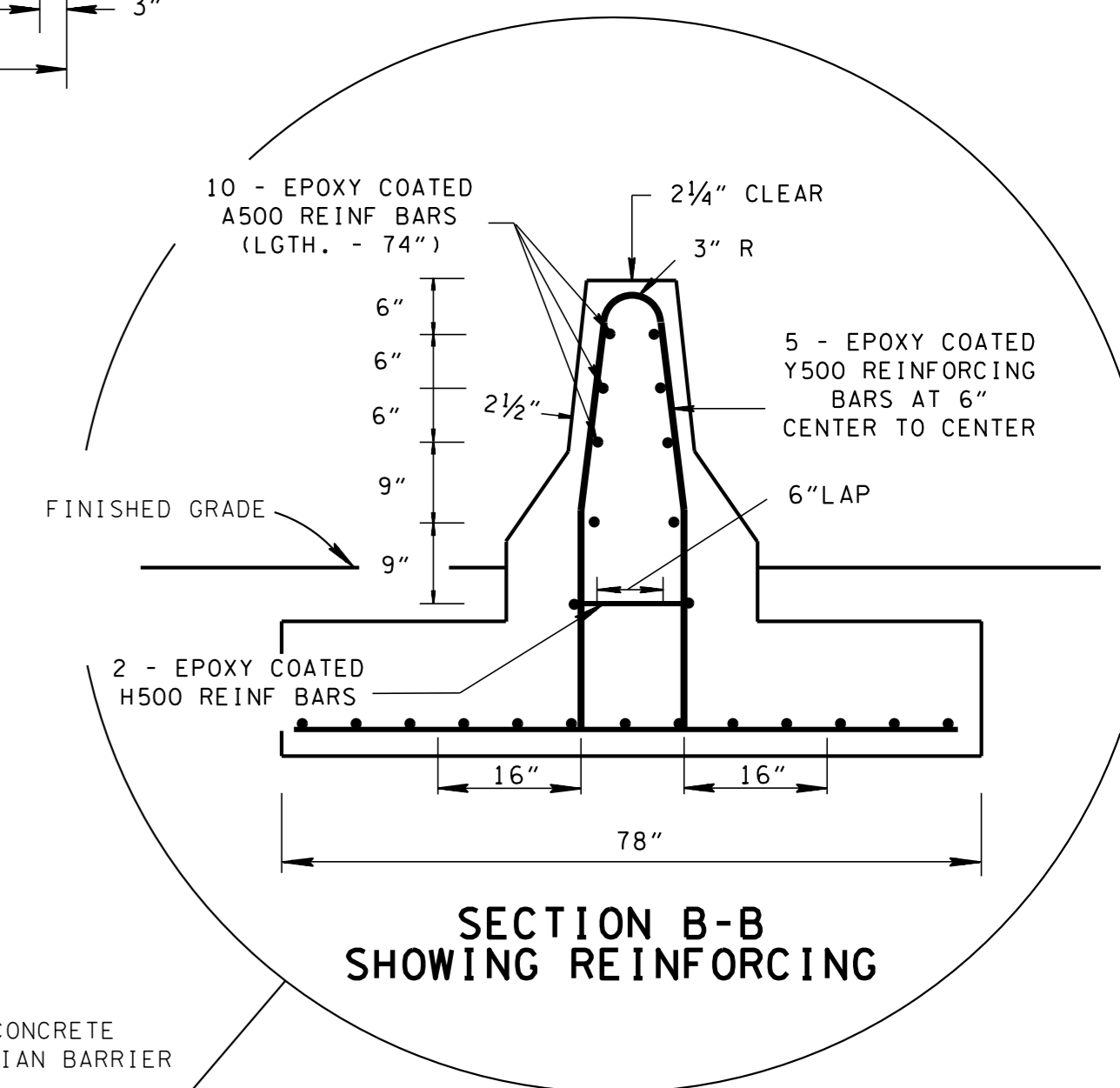
SECTION A-A



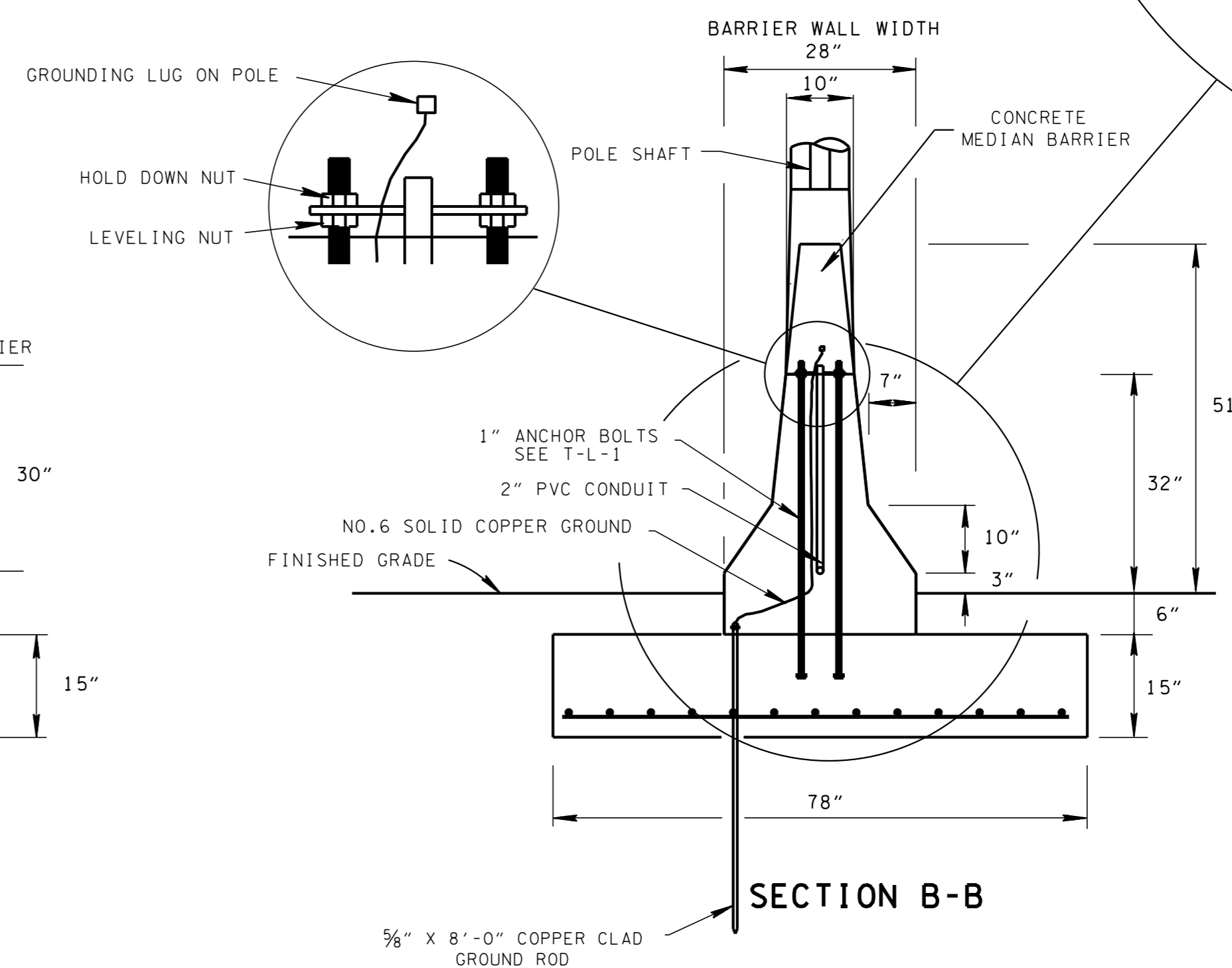
SECTION C-C



REINFORCING STEEL LEGEND



SECTION B-B SHOWING REINFORCING



SECTION B-B

- REV. 11-1-95: CHANGED TO METRIC.
- REV. 5-27-01: CHANGED ITEM NOS. 303-15.01 TO 303-10.01 AND 714-08 TO 714-08.08.
- REV. 9-11-03: REDRAW AND REDESIGNED SHEET.
- REV. 12-4-13: CHANGED ANCHOR BOLTS TO THREADED.

MINOR REVISION -- FHWA APPROVAL NOT REQUIRED.

STATE OF TENNESSEE
 DEPARTMENT OF TRANSPORTATION
 FOUNDATION DETAIL
 FOR LUMINAIRE
 MOUNTED ON
 CONCRETE
 MEDIAN BARRIER