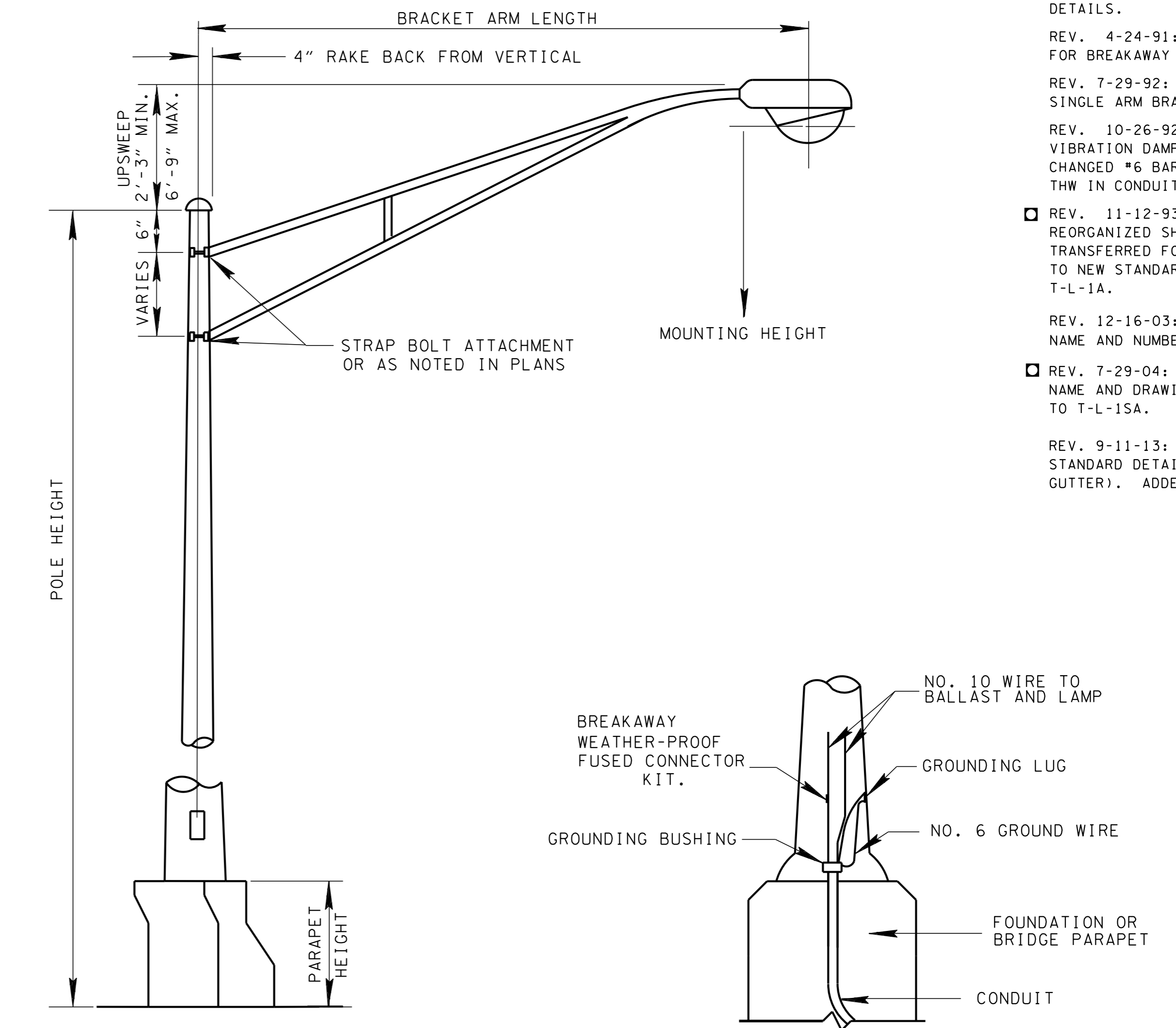
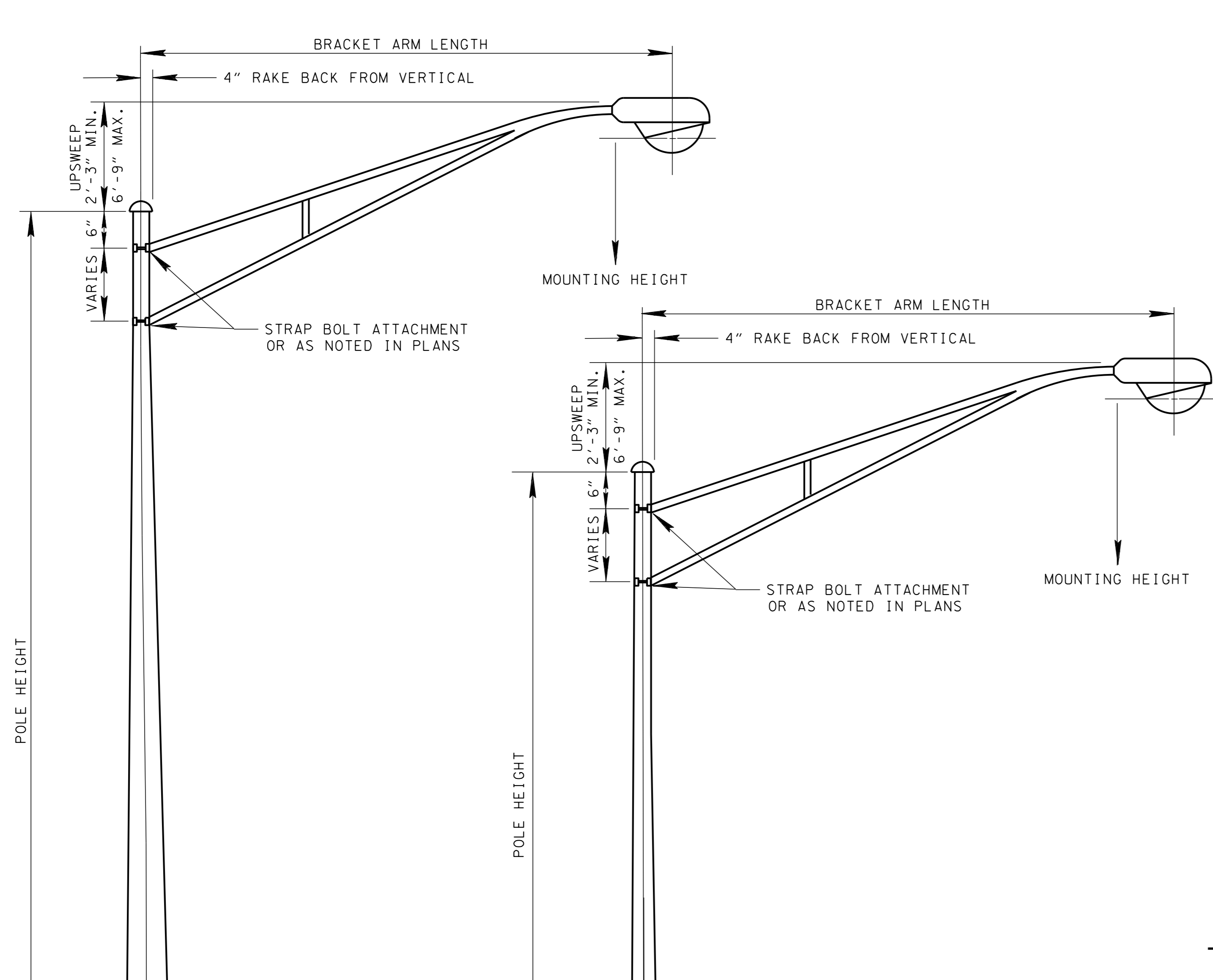


- REV. 7-14-89: FOUNDATION DETAILS.
- REV. 4-24-91: ADDED TO NOTE FOR BREAKAWAY BASE.
- REV. 7-29-92: ADDED NOTE FOR SINGLE ARM BRACKET.
- REV. 10-26-92: ADDED VIBRATION DAMPER NOTE. CHANGED #6 BARE GROUND TO #6 THW IN CONDUIT.
- REV. 11-12-93: REDREW AND REORGANIZED SHEET. TRANSFERRED FOOTING DETAILS TO NEW STANDARD DRAWING T-L-1A.
- REV. 12-16-03: CHANGED DRAWING NAME AND NUMBER.
- REV. 7-29-04: CHANGED DRAWING NAME AND DRAWING NO. FROM T-L-1 TO T-L-1SA.
- REV. 9-11-13: ADDED LIGHT STANDARD DETAIL (CURB AND GUTTER). ADDED NOTES ① AND ②.



**LIGHT STANDARD DETAIL
BRIDGE MOUNTED**

CONNECTION DETAIL

- GENERAL NOTES**
- (A) LIGHT STANDARD BASES SHALL MEET THE LATEST EDITION OF AASHTO. STANDARD SPECIFICATIONS FOR STRUCTURAL SUPPORTS FOR HIGHWAY SIGNS, LUMINAIRES, AND TRAFFIC SIGNALS. THE CONTRACTOR SHALL SUBMIT CERTIFICATION OF THE BREAKAWAY QUALITIES OF THE BASE TO THE TENNESSEE DEPARTMENT OF TRANSPORTATION, DIVISION OF STRUCTURES, PRIOR TO ERECTION.
 - (B) SLIP BASES AND SLEEVE BASES ARE NOT ACCEPTABLE.
 - (C) POLE HEIGHT SHALL INCLUDE ADJUSTMENT FOR SLOPE CONDITIONS, UPSWEEP OF THE BRACKET ARM, AND THE BREAKAWAY BASE.
 - (D) POLE HEIGHT ON BRIDGES SHALL INCLUDE ADJUSTMENT FOR THE HEIGHT OF THE PARAPET WALL AND THE UPSWEEP OF THE BRACKET ARM.
 - (E) BRACKET ARM DESIGN AND UPSWEEP SHALL BE UNIFORM FOR ALL LIGHT STANDARDS SUPPLIED ON A PROJECT. THE BRACKET ARM MAY BE SINGLE ARM OR TRUSS TYPE.
 - (F) UNLESS OTHERWISE NOTED IN THE PLANS, POLES MAY BE STEEL OR ALUMINUM.
 - (G) ALL LIGHT STANDARDS MOUNTED ON BRIDGES SHALL BE EQUIPPED WITH VIBRATION DAMPERS AS RECOMMENDED BY THE POLE MANUFACTURER.
 - (H) A 1 INCH THICK NEOPRENE RUBBER GASKET SHALL BE PROVIDED AND INSTALLED BETWEEN THE POLE BASE AND PARAPET SUPPORT. SIZE OF THE SQUARE GASKET AND BOLT CIRCLE DIAMETER SHALL BE AS REQUIRED FOR THE POLE SUPPLIED.
 - (I) IF THERE IS NO EXISTING OR PROPOSED SIDEWALK, LOCATE POLE BASED ON CLEAR ZONE REQUIREMENTS.
 - (J) SEE T-L-1 FOR FOUNDATION DETAILS.

NOT TO SCALE
 MINOR REVISION -- FHWA APPROVAL NOT REQUIRED.

STATE OF TENNESSEE
 DEPARTMENT OF TRANSPORTATION

**STANDARD
 LIGHTING DETAILS
 FOR SINGLE ARM
 SUPPORTS**

**LIGHT STANDARD DETAIL
GROUND MOUNTED**

**LIGHT STANDARD DETAIL
CURB AND GUTTER**

