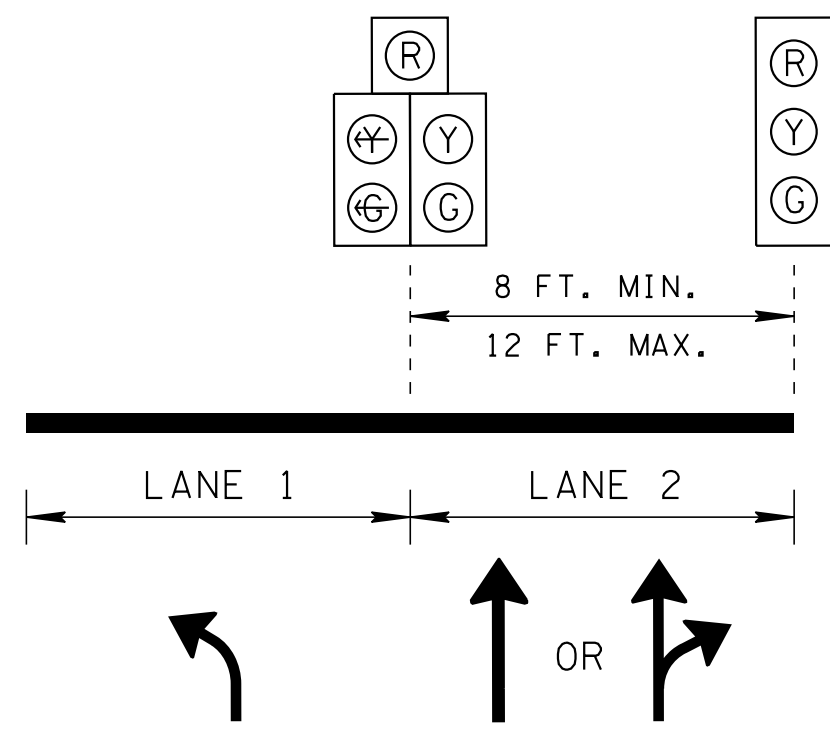
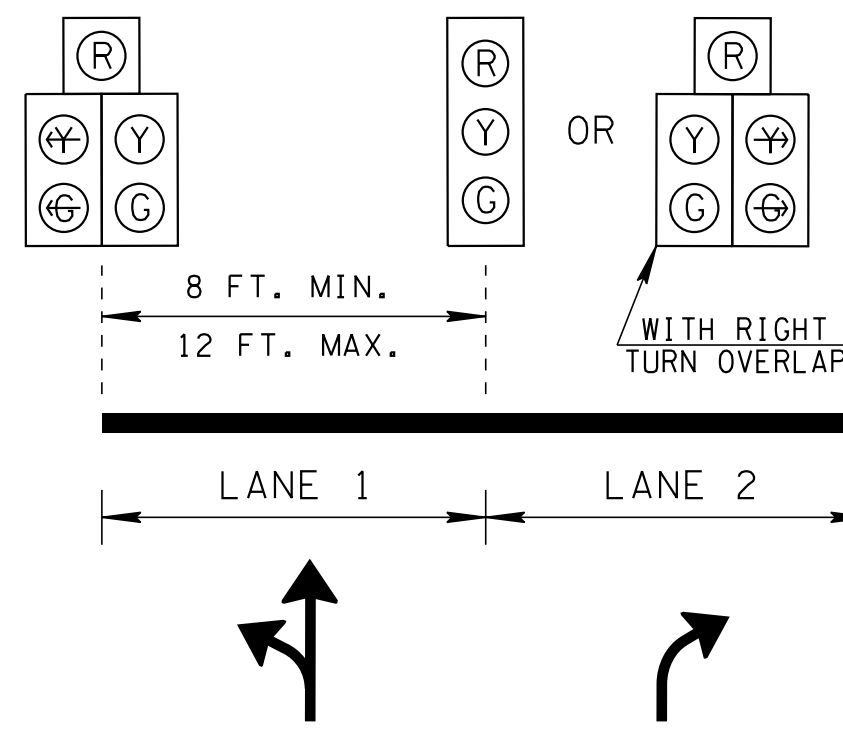


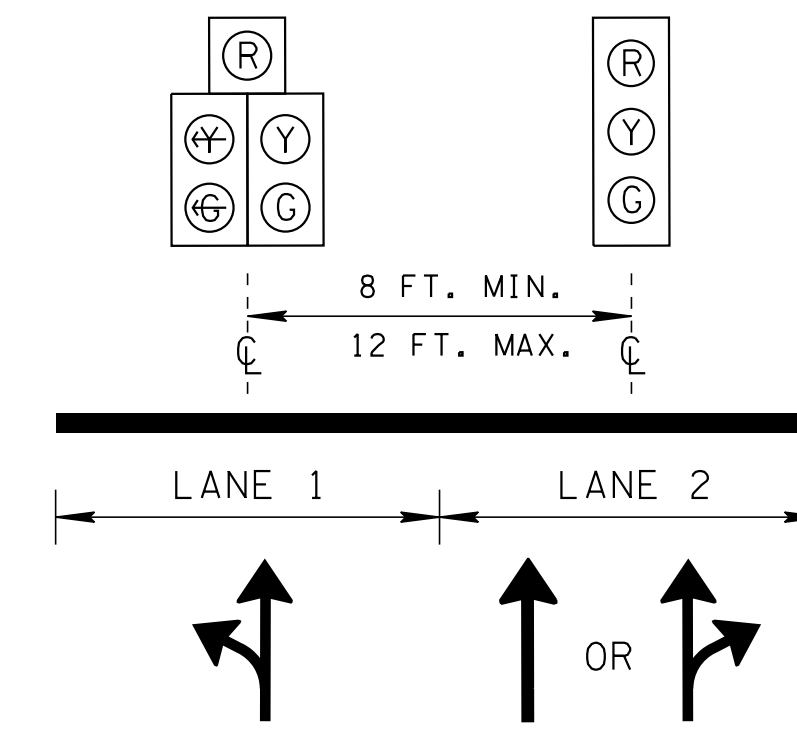
REV. 10-21-19; RENAMED NOTE 2 TO NOTE 3. ADDED NOTE 2 AND "SEE NOTE 2" LABELS.



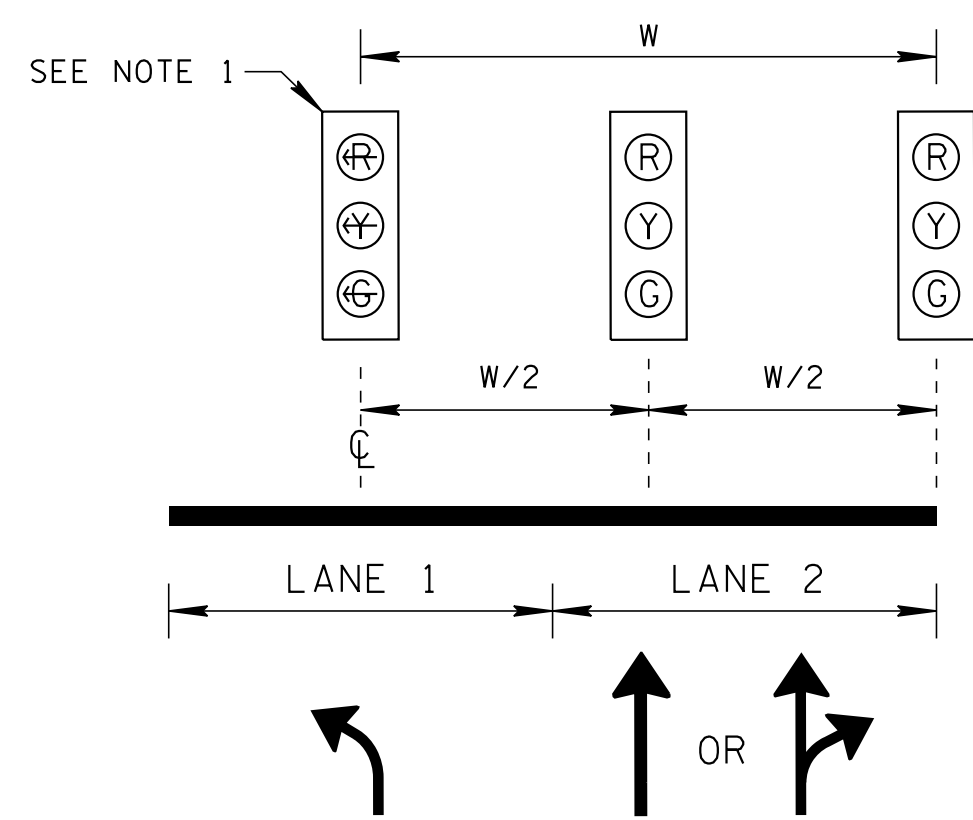
PROTECTED/PERMISSIVE LEFT TURN PHASING



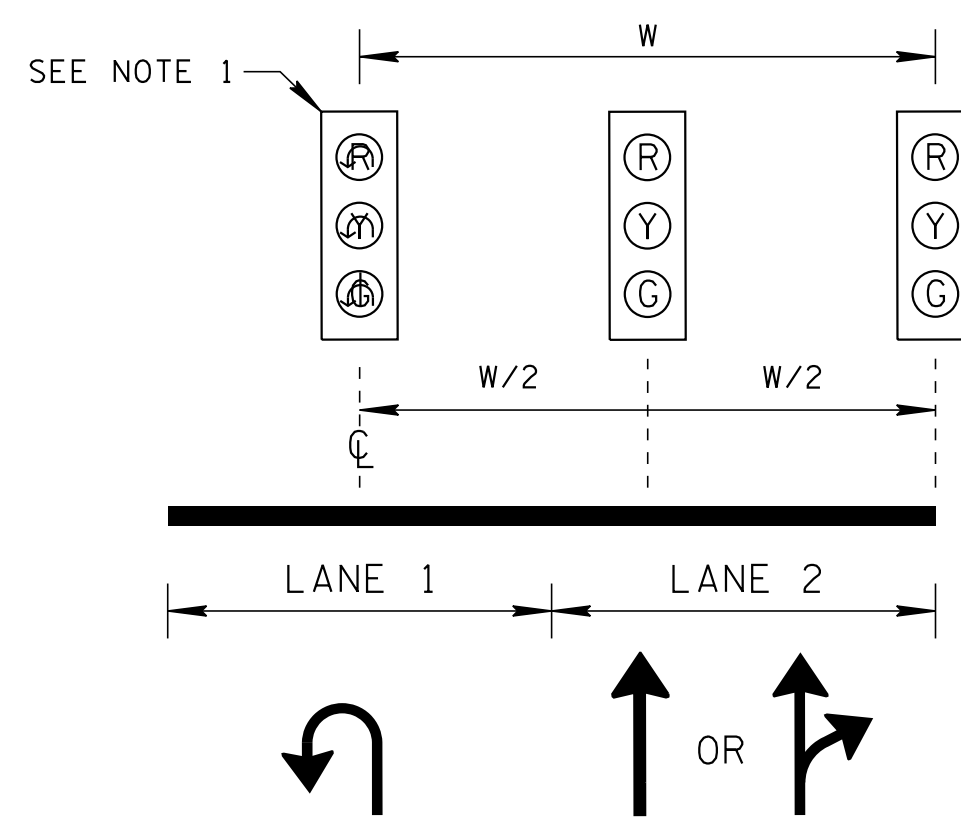
PROTECTED/PERMISSIVE LEFT TURN PHASING



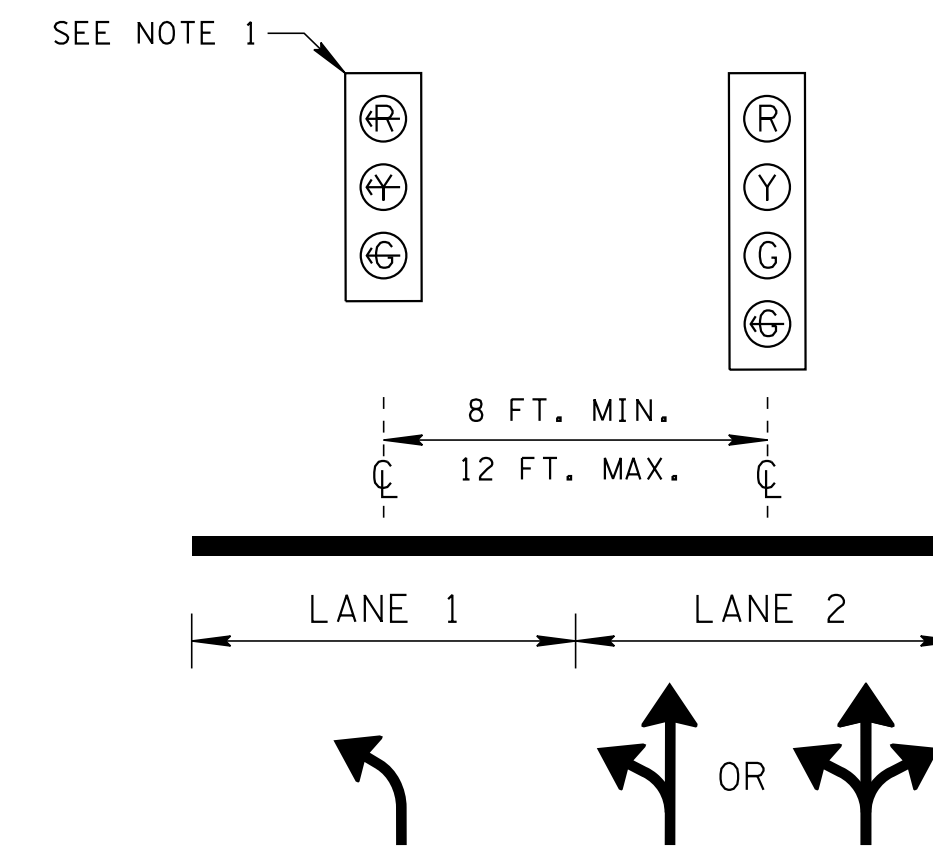
PROTECTED/PERMISSIVE LEFT TURN PHASING



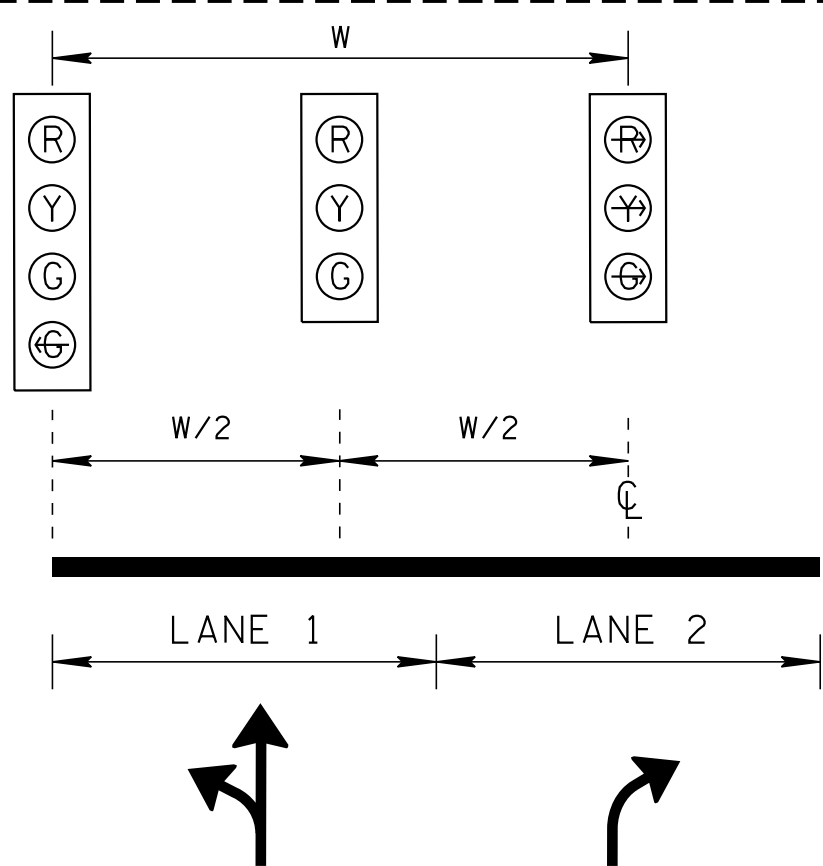
PROTECTED LEFT TURN OR SPLIT PHASING



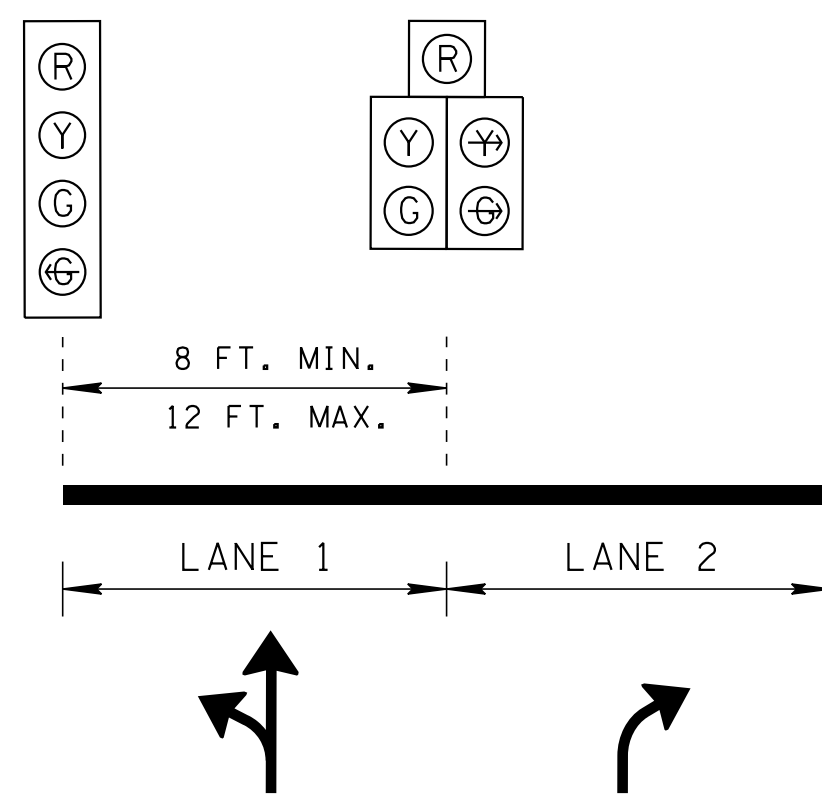
PROTECTED U-TURN OR SPLIT PHASING



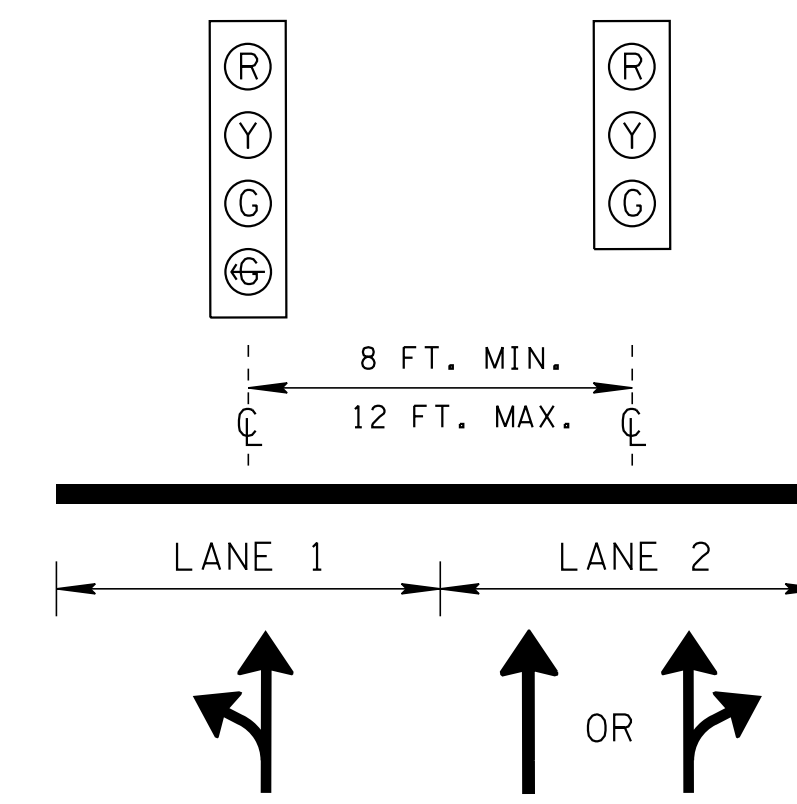
PROTECTED LEFT TURN OR SPLIT PHASING



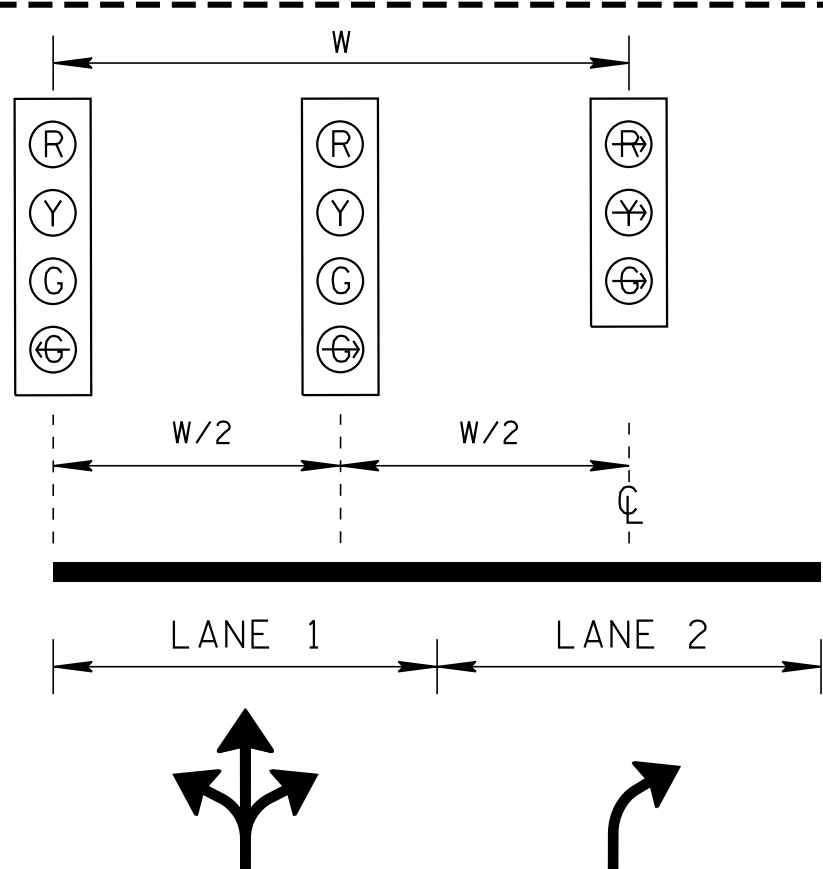
PROTECTED LEFT TURN OR SPLIT PHASING



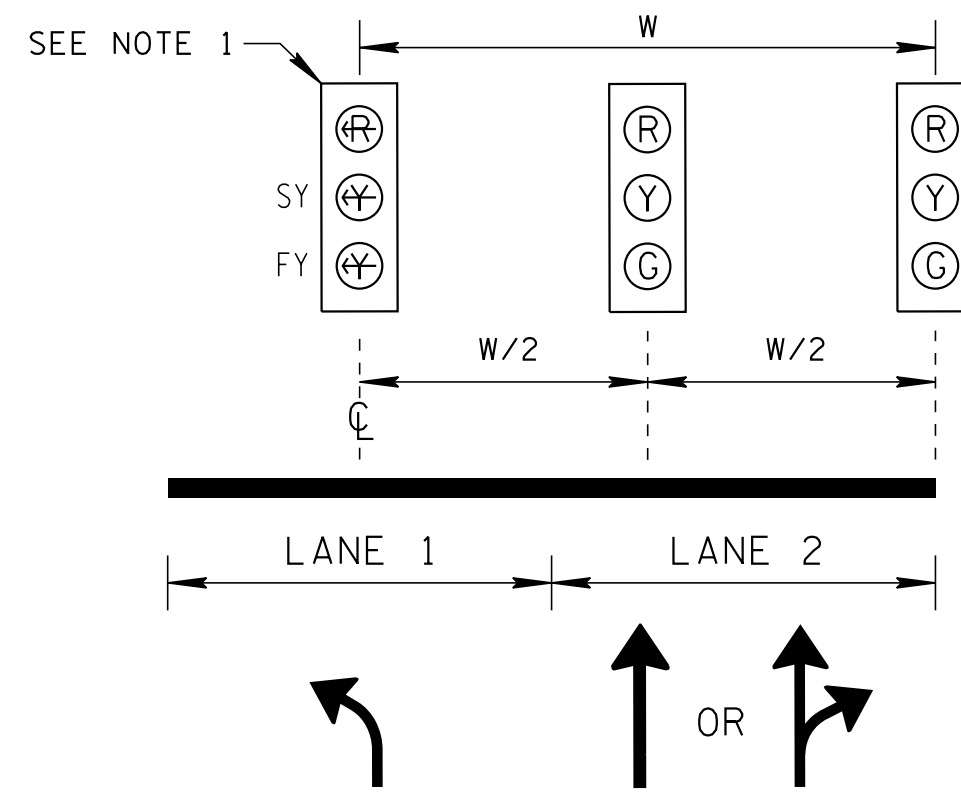
PROTECTED LEFT TURN OR SPLIT PHASING WITH RIGHT TURN OVERLAP



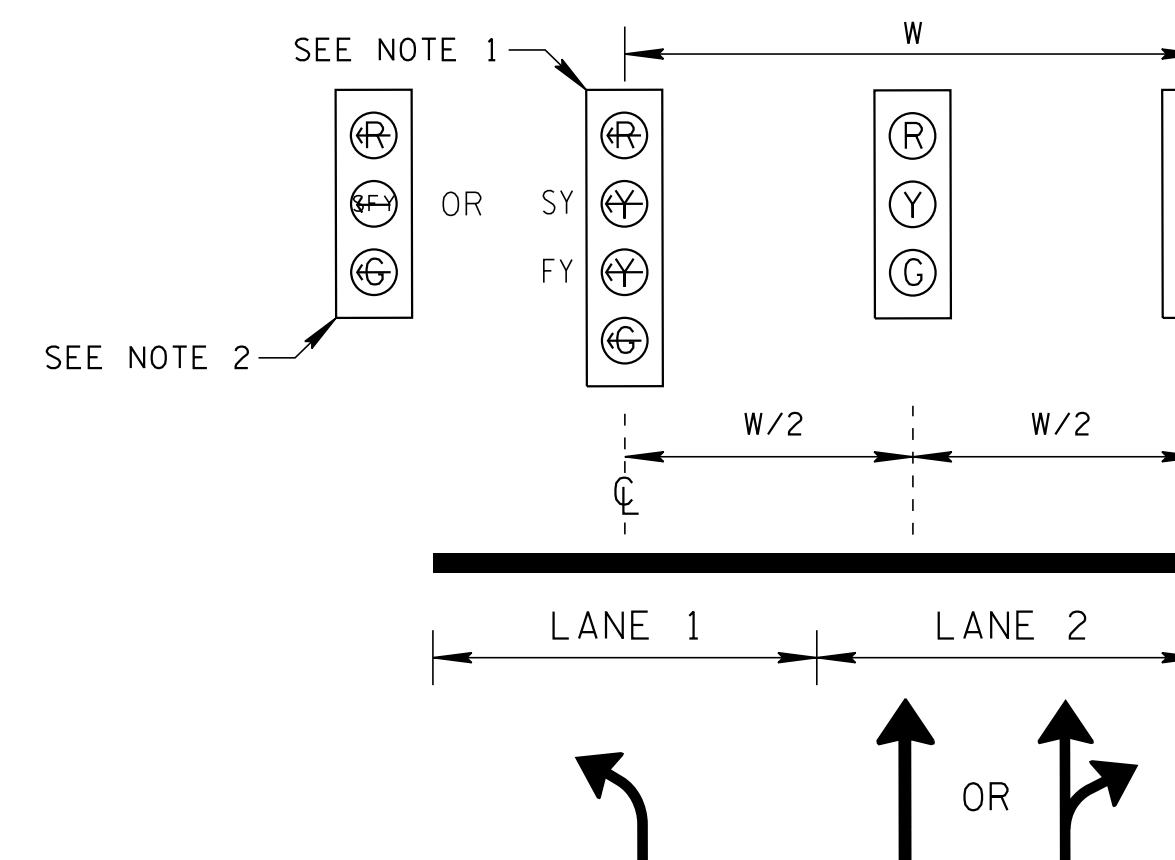
PROTECTED LEFT TURN OR SPLIT PHASING



PROTECTED LEFT TURN OR SPLIT PHASING



FLASHING YELLOW ARROW PERMISSIVE LEFT TURN PHASING



FLASHING YELLOW ARROW PROTECTIVE/PERMISSIVE LEFT TURN PHASING

LEGEND	
SY	= STEADY YELLOW ARROW
FY	= FLASHING YELLOW ARROW
SFY	= STEADY AND FLASHING YELLOW ARROW

MINOR REVISION -- FHWA APPROVAL NOT REQUIRED.

NOTE 1: WHERE THERE IS AN OPPOSITE LEFT TURN LANE APPROACH IN THE SAME ALIGNMENT AS THE LEFT TURN LANE, THE LEFT TURN SIGNAL HEAD IS OFFSET TWO FEET (MIN.) CLOSER TO THE THROUGH LANE IN ORDER TO INCREASE THE APPROACH'S SIGNAL HEAD VISIBILITY.

NOTE 2: THIS TRAFFIC SIGNAL HEAD CAN ONLY BE USED THROUGH INTERIM APPROVAL 17 (1A-17) OPTIONAL USE OF THREE-SECTION FLASHING YELLOW ARROW SIGNAL FACE, CONTACT TDOT'S STATE TRAFFIC ENGINEER TO REQUEST PERMISSION TO OBTAIN APPROVAL TO UTILIZE THIS TRAFFIC SIGNAL HEAD.

NOTE 3: SEE THE CURRENT EDITION OF THE MUTCD FOR ADDITIONAL INFORMATION REGARDING SIGNAL HEAD PLACEMENTS.

STATE OF TENNESSEE DEPARTMENT OF TRANSPORTATION

TYPICAL SIGNAL HEAD PLACEMENT

TWO-LANE APPROACHES

0/17/2019 12:24:31PM P:\Traffic Operations Division\Traffic Design\Standard Drawings\Signals (SG)\IN PROGRESS\TSGTA-S-083019.dgn