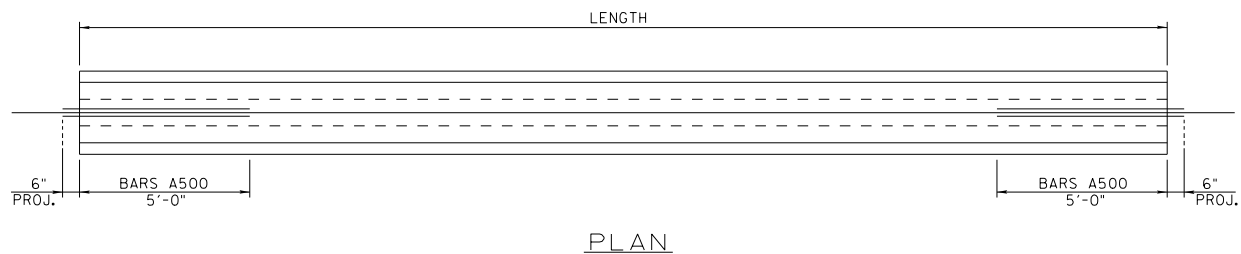
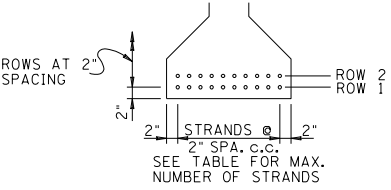
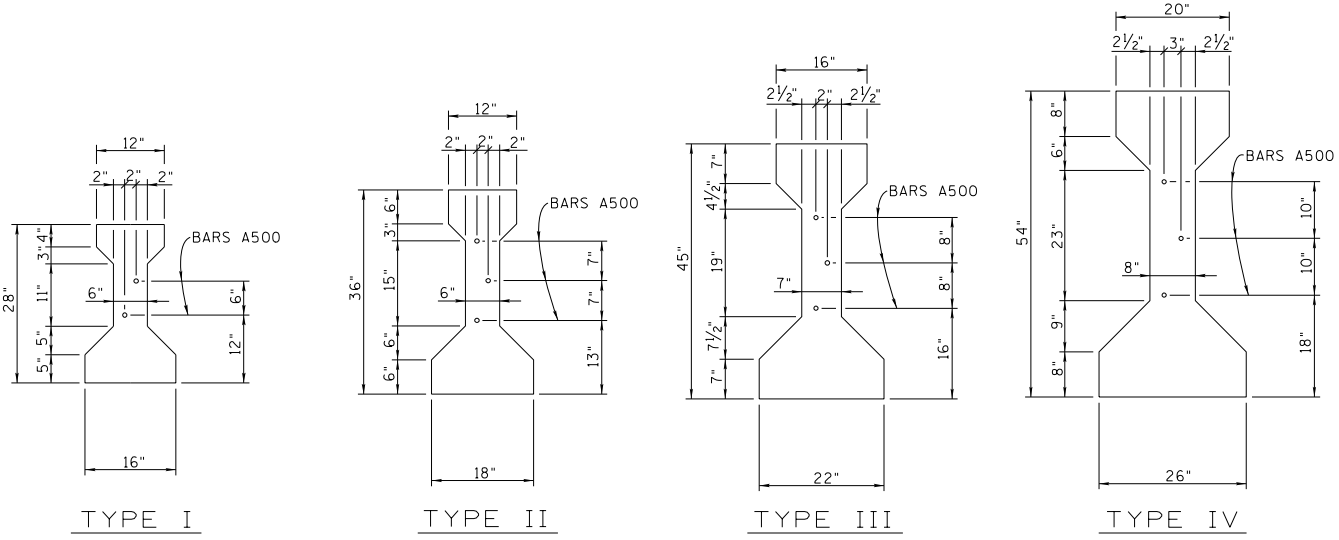


ELEVATION
 NOTE: FOR LOCATION OF INSERTS OR HOLES, FOR INTERMEDIATE DIAPHRAGMS WHEN REQUIRED, SEE FRAMING PLAN IN CONTRACT DRAWINGS.



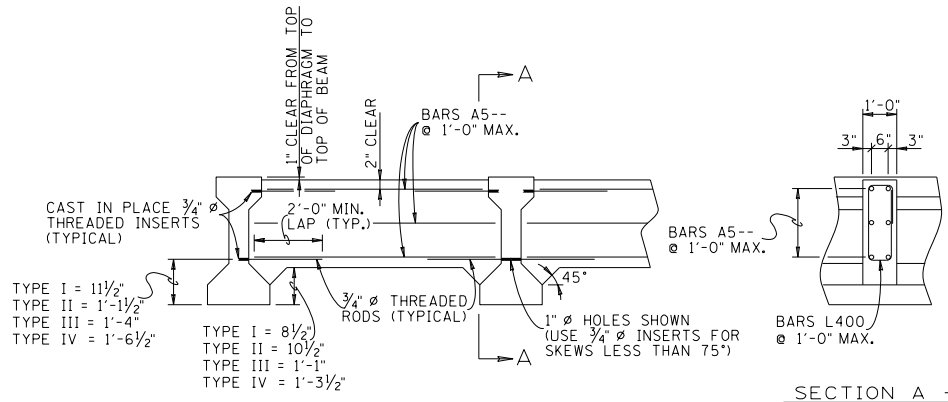
PLAN



MAXIMUM NUMBER OF STRANDS PER ROW

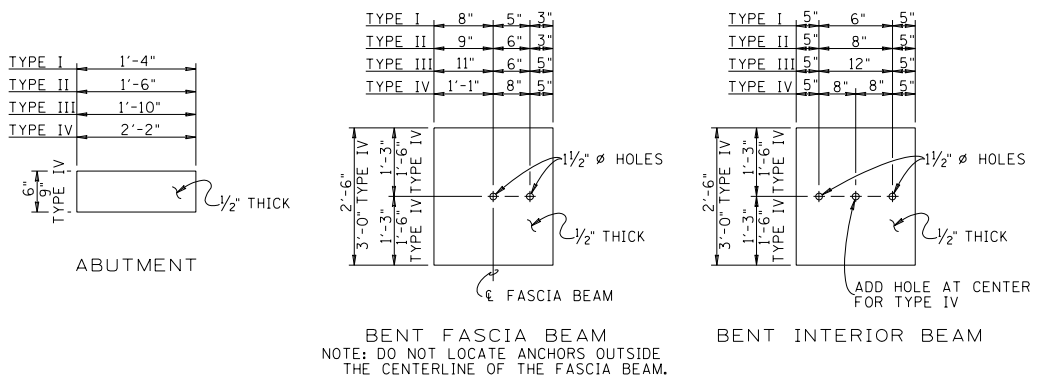
ROW	1	2	3	4	5	6	7	8
TYPE I	6	6	4	2	2	2	2	2
TYPE II	8	8	6	4	2	2	2	2
TYPE III	10	10	10	8	6	4	2	2
TYPE IV	12	12	12	10	8	6	4	2

NOTE: USE A MAXIMUM OF 2 STRANDS PER ROW FOR ROW 9 AND HIGHER FOR ALL BEAM TYPES.

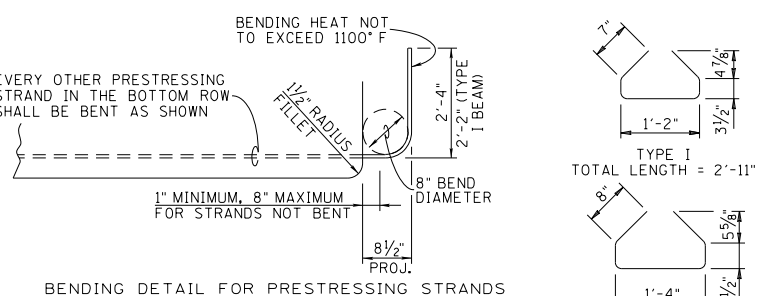


CAST IN PLACE INTERMEDIATE DIAPHRAGM

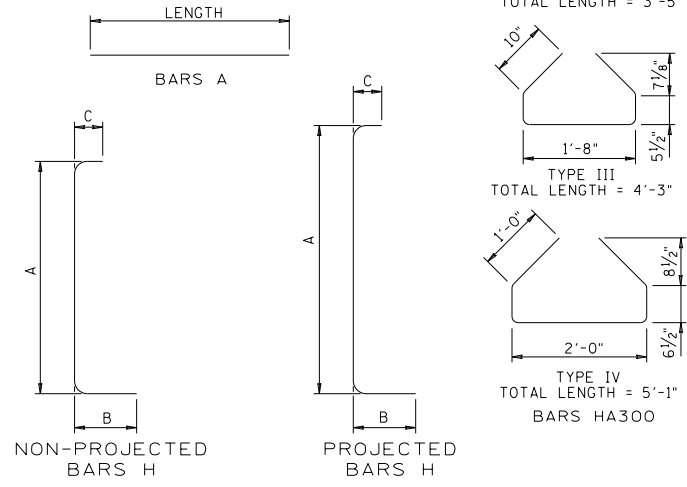
NOTE: AS AN ERECTION AID, THIS CAST IN PLACE INTERMEDIATE DIAPHRAGM MAY BE USED IN LIEU OF THE TEMPORARY ERECTION DIAPHRAGM SHOWN THIS SHEET.



ELASTOMERIC BEARING PAD DETAILS



BENDING DETAIL FOR PRESTRESSING STRANDS



BENDING DIMENSIONS

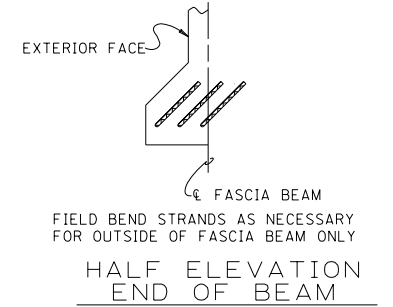
TYPE	A	B	C	LENGTH
I	2'-0"	7"	5"	3'-0"
II	2'-7"	8"	5"	3'-8"
III	3'-5"	11"	5"	4'-9"
IV	4'-2"	13"	5"	5'-8"

BENDING DIMENSIONS

TYPE	A	B	C	LENGTH
I	2'-7"	7"	5"	3'-7"
II	3'-3"	8"	5"	4'-4"
III	4'-0"	11"	5"	5'-4"
IV	4'-9"	13"	5"	6'-3"

PROJECT NO.	YEAR	SHEET NO.
	2020	

REVISIONS			
NO.	DATE	BY	BRIEF DESCRIPTION



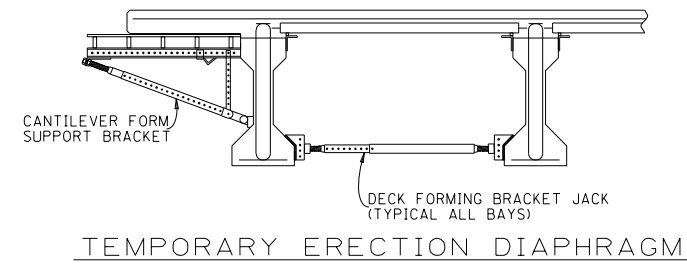
HALF ELEVATION END OF BEAM

BEAM NOTES:

- 1) THE TOP OF ALL BEAMS ARE TO BE ROUGH FLOATED. AT APPROXIMATELY THE TIME OF INITIAL SET, THE TOP OF THE BEAMS SHALL ALSO BE SCRUBBED TRANSVERSELY WITH A COARSE WIRE BRUSH TO REMOVE ALL LAITANCE AND PRODUCE A ROUGH SURFACE.
- 2) MILD STEEL REINFORCING SHALL BE ASTM A615 GRADE 60.
- 3) ALL PRESTRESSING STRANDS SHALL BE ASTM GRADE 270K, 7 WIRE UNCOATED STRESS RELIEVED LOW RELAXATION PRESTRESSING STRANDS.
- 4) AN INITIAL FORCE OF AS SPECIFIED IN THE CONTRACT PLANS SHALL BE APPLIED TO EACH STRAND IN ALL BEAMS
- 5) THE PRESTRESSING STRANDS SHALL BE LEFT PROJECTING AS SHOWN IN THE BENDING DETAILS FROM THE ENDS OF THE BEAMS. THE STRANDS SHALL BE CUT WITHOUT HEATING ADJACENT STRANDS. THERE SHALL NOT BE ANY PROTECTIVE COATING PLACED ON THE ENDS OF THE BEAM OR ON THE PROJECTING STRANDS.
- 6) COST OF ELASTOMERIC BEARING PADS AND RUBBER BONDING CEMENT TO BE INCLUDED IN THE COST OF THE PRESTRESSED BEAMS.
- 7) THE SEQUENCE FOR TRANSFER OF STRESS OR THE CUTTING STRANDS SHALL BE IN ACCORDANCE WITH ARTICLE 615.14 OF THE "STANDARD SPECIFICATIONS FOR ROAD AND BRIDGE CONSTRUCTION" AND SHALL BE SHOWN ON THE APPROVED SHOP DRAWINGS. AT NO TIME SHALL MORE THAN 1/6th OF THE TOTAL PRESTRESSING FORCE BE ECCENTRIC ABOUT THE CENTERLINE OF THE BEAM.

TEMPORARY ERECTION DIAPHRAGM NOTES:

THE CONTRACTOR SHALL BE RESPONSIBLE FOR SUPPORTING THE EXTERIOR GIRDERS DURING CONSTRUCTION TO PREVENT ROTATION OR OVERTURNING. ADDITIONAL TEMPORARY ERECTION DIAPHRAGMS SHOULD BE PROVIDED AS NECESSARY FOR PRESTRESSED CONCRETE I-BEAMS TO PREVENT ROTATION. THE TEMPORARY ERECTION DIAPHRAGM SHOWN BELOW SHALL BE LOCATED IN ACCORDANCE WITH THE SPECIFICATIONS AND MUST BE USED AT ENDS OF BEAMS WHERE END DIAPHRAGMS ARE TO BE POURED CONCURRENTLY WITH THE BRIDGE DECK.



TEMPORARY ERECTION DIAPHRAGM

STATE OF TENNESSEE
 DEPARTMENT OF TRANSPORTATION
 STANDARD DETAILS AND
 INTERMEDIATE DIAPHRAGM
 DETAILS
 FOR I-BEAMS
 2020

CORRECT *Del A. K...*
 ENGINEER OF STRUCTURES

DESIGNED BY MARK HOLLORAN DATE _____
 DRAWN BY KIM FRANKENFIELD DATE _____
 SUPERVISED BY MARK HOLLORAN DATE _____
 CHECKED BY _____ DATE _____