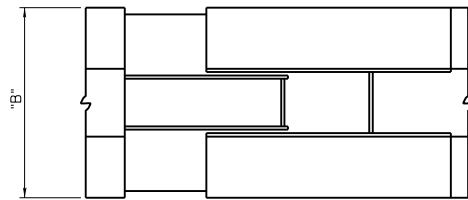
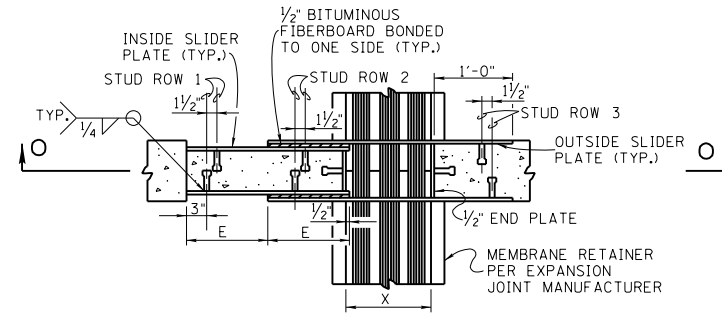


SECTION O - O

NOTE: WELD FULL LENGTH OF END PLATE/MODULAR JOINT INTERFACE

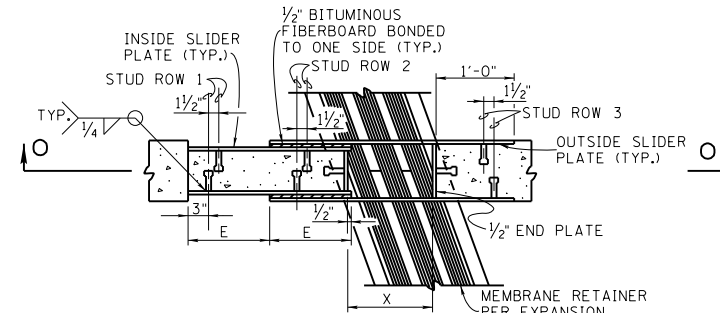


PLAN VIEW OF MEDIAN

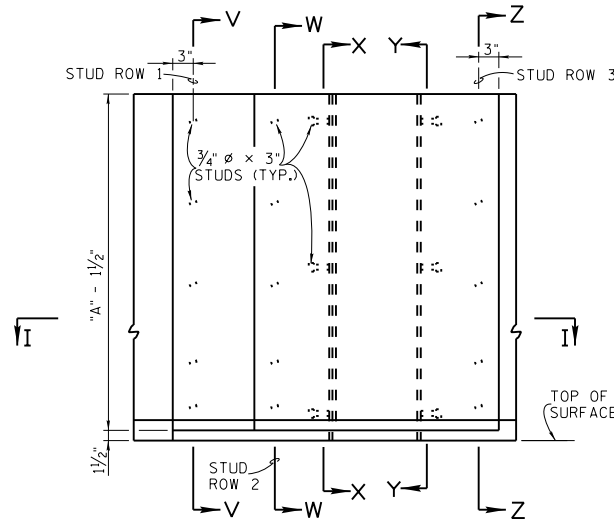


SECTION I - I

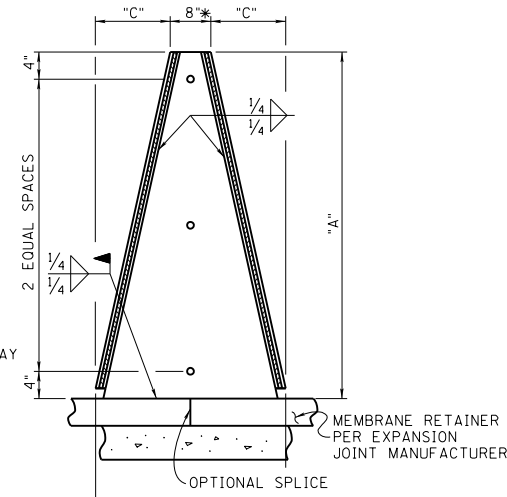
E DENOTES: ONE HALF OF THE TOTAL EXPANSION JOINT MOVEMENT PLUS (+) THREE (3) INCHES, AT MID TEMPERATURE.
IF E IS LESS THAN 6 1/2' OMIT STUD ROW 2
X DENOTES: EXPANSION JOINT + 1"



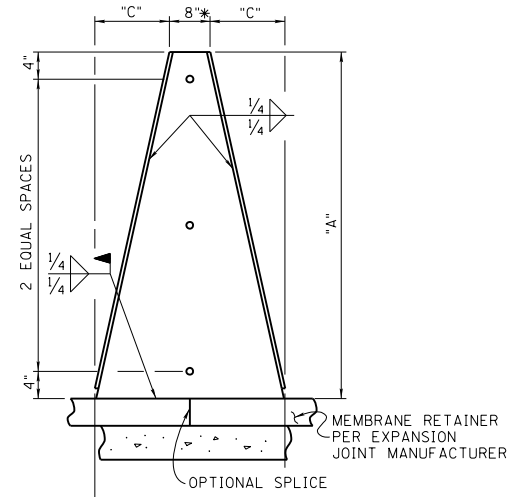
SECTION I - I (SKEWED EXPANSION JOINT)



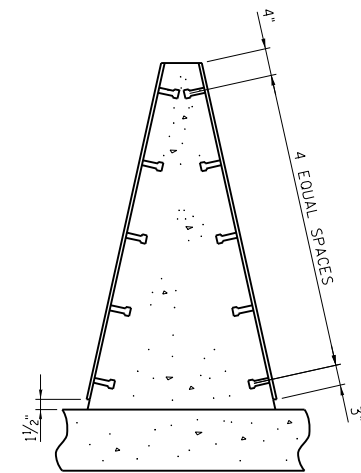
ELEVATION VIEW OF MEDIAN



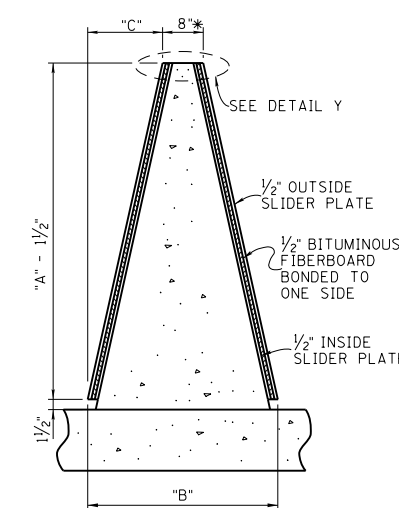
SECTION X - X (SHOWING STUD SPACING IN END PLATE)



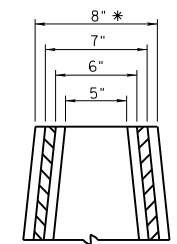
SECTION Y - Y (SHOWING STUD SPACING IN END PLATE)



SECTION V - V OR Z - Z



SECTION W - W



DETAIL Y

* THE WIDTH OF THE TOP OF THE BARRIER SHALL REMAIN CONSTANT. ACCOMODATION OF GRADE PROFILE, SUPERELEVATION, AND BARRIER HEIGHT WILL BE ACCOMPLISHED BY VARYING THE WIDTH OF THE BARRIER AT ITS BASE.

BARRIER HEIGHT (IN.)	DIMENSIONS (IN.)		
	"A"	"B"	"C"
32	32	20 1/4	6 1/8
51	51	27 1/2	9 3/4

PROJECT NO.	YEAR	SHEET NO.	
	2021		
REVISIONS			
NO.	DATE	BY	BRIEF DESCRIPTION
1	5/10/21	TAK	RE-ISSUED DRAWING

NOTES:
ALL METAL PLATE MATERIAL SHALL BE (ASTM A709) GRADE 36.
ALL WELDING, INCLUDING STUDS, SHALL BE COMPLETED PRIOR TO METAL PLATES BEING PAINTED OR GALVANIZED. ALL STEEL THAT IS PART OF THE JOINT ASSEMBLY SHALL BE PAINTED WITH 4 MILS OF INORGANIC ZINC OR GALVANIZED IN ACCORDANCE WITH ASTM STANDARD SPECIFICATION A123, UNLESS SHOWN OTHERWISE ON PLANS.
NOTE: CONTRACTOR SHALL SUBMIT A COMPLETE SET OF SHOP DRAWINGS TO THE DEPARTMENT OF TRANSPORTATION, DIVISION OF STRUCTURES FOR REVIEW BEFORE BEGINNING FABRICATION.
NOTE: ALL CONCRETE POURS SHALL BE WELL CONSOLIDATED AROUND THE SLIDER PLATE ASSEMBLIES.
NOTE: COST OF STRUCTURAL STEEL, FORMING, LABOR AND ALL MISCELLANEOUS MATERIALS NECESSARY TO COMPLETE THE INSTALLATION OF SLIDER PLATE ASSEMBLIES TO BE INCLUDED IN EXPANSION DEVICE.

STATE OF TENNESSEE
DEPARTMENT OF TRANSPORTATION
STEEL SLIDER PLATE ASSEMBLIES FOR SINGLE SLOPE CONCRETE MEDIAN BARRIER 2021

CORRECT *Jed A. Krings*
ENGINEER OF STRUCTURES

DESIGNED BY R.L. CRAWFORD DATE _____
DRAWN BY K.L. FRANKENFIELD DATE _____
SUPERVISED BY DATE _____
CHECKED BY DATE _____