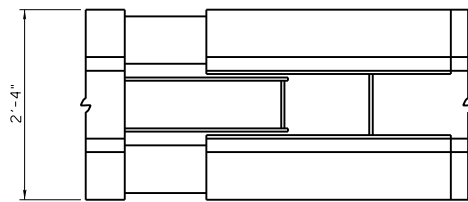
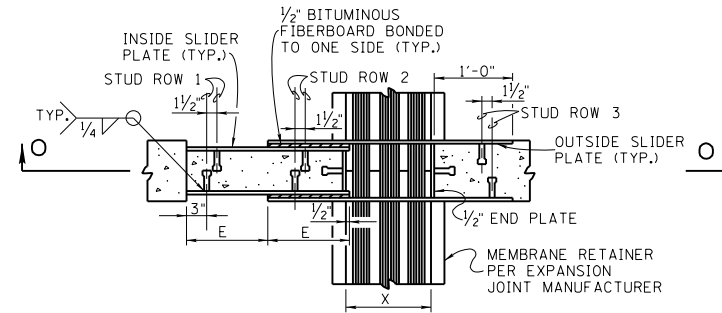


SECTION O - O

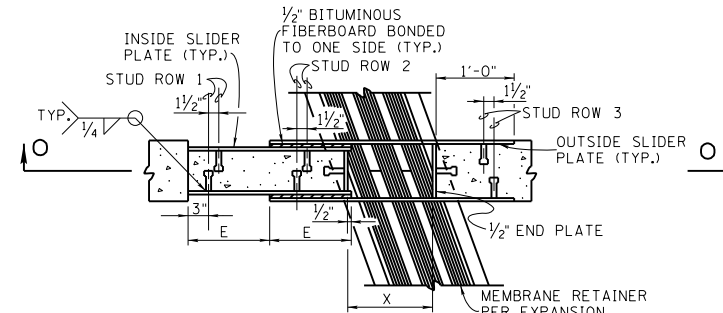
NOTE: WELD WIDTH OF CONTACT POINT



PLAN VIEW OF MEDIAN



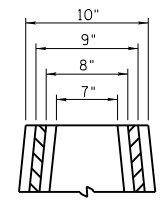
SECTION I - I



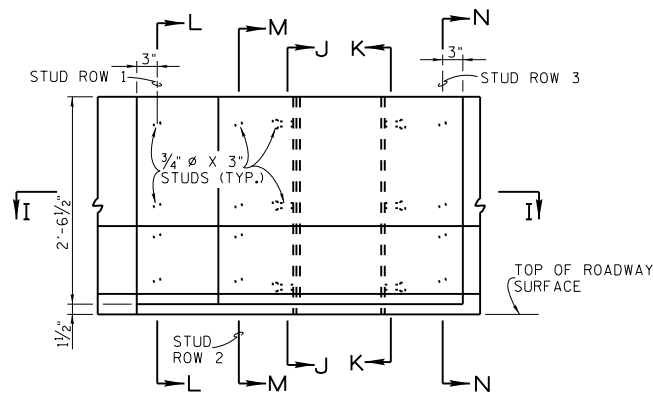
SECTION I - I (SKEWED EXPANSION JOINT)

E DENOTES: ONE HALF OF THE TOTAL EXPANSION JOINT MOVEMENT PLUS (+) THREE (3) INCHES, AT MID TEMPERATURE.
IF E IS LESS THAN 6 1/2" OMIT STUD ROW 2
X DENOTES: EXPANSION JOINT + 1"

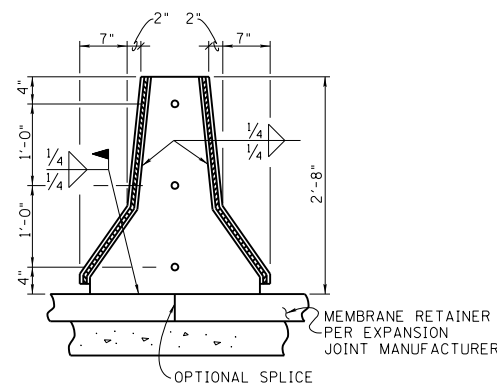
PROJECT NO.		YEAR		SHEET NO.	
		2021			
REVISIONS					
NO.	DATE	BY	TAK	BRIEF DESCRIPTION	
1	5/10/21			RE-ISSUED DRAWING	



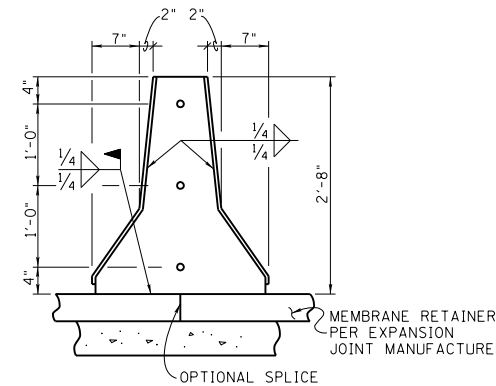
DETAIL X



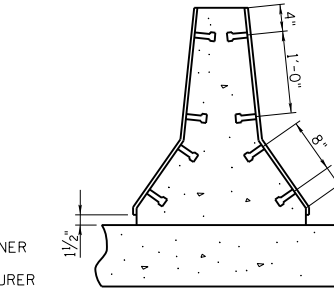
ELEVATION VIEW OF MEDIAN



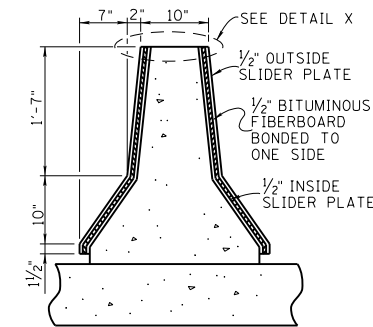
SECTION J - J (SHOWING STUD SPACING IN END PLATE)



SECTION K - K (SHOWING STUD SPACING IN END PLATE)

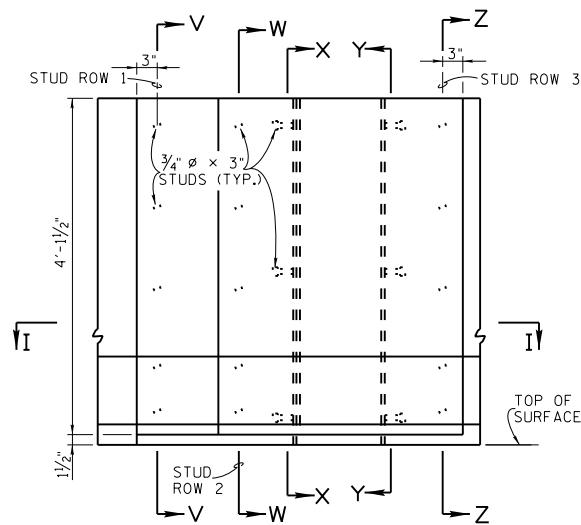


SECTION L - L OR N - N

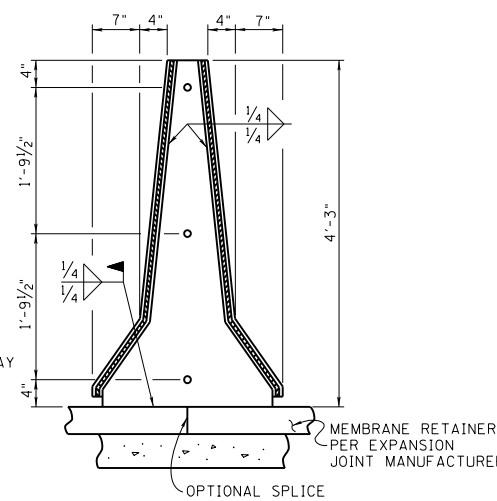


SECTION M - M (32" MEDIAN)

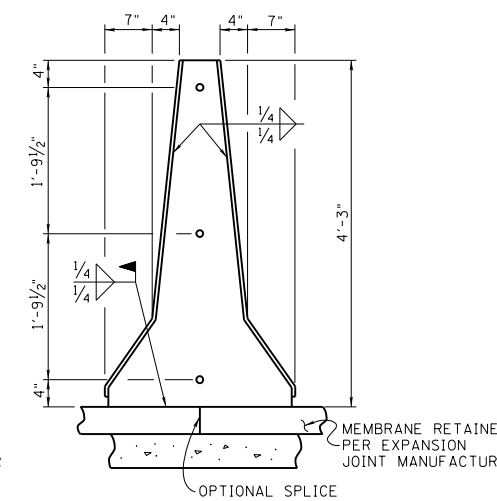
NOTES:
ALL METAL PLATE MATERIAL SHALL BE (ASTM A709) GRADE 36.
ALL WELDING, INCLUDING STUDS, SHALL BE COMPLETED PRIOR TO METAL PLATES BEING PAINTED OR GALVANIZED. ALL STEEL THAT IS PART OF THE JOINT ASSEMBLY SHALL BE PAINTED WITH 4 MILS OF INORGANIC ZINC OR GALVANIZED IN ACCORDANCE WITH ASTM STANDARD SPECIFICATION A123, UNLESS SHOWN OTHERWISE ON PLANS.
NOTE: CONTRACTOR SHALL SUBMIT A COMPLETE SET OF SHOP DRAWINGS TO THE DEPARTMENT OF TRANSPORTATION, DIVISION OF STRUCTURES FOR REVIEW BEFORE BEGINNING FABRICATION.
NOTE: ALL CONCRETE POURS SHALL BE WELL CONSOLIDATED AROUND THE SLIDER PLATE ASSEMBLIES.
NOTE: COST OF STRUCTURAL STEEL, FORMING, LABOR AND ALL MISCELLANEOUS MATERIALS NECESSARY TO COMPLETE THE INSTALLATION OF SLIDER PLATE ASSEMBLIES TO BE INCLUDED IN EXPANSION DEVICE.



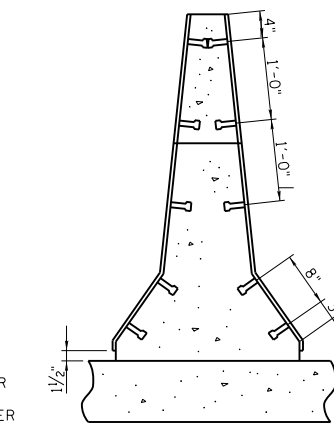
ELEVATION VIEW OF MEDIAN



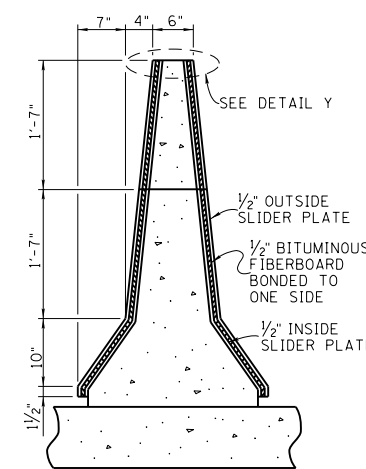
SECTION X - X (SHOWING STUD SPACING IN END PLATE)



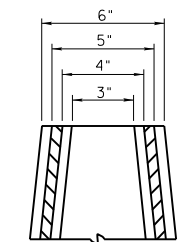
SECTION Y - Y (SHOWING STUD SPACING IN END PLATE)



SECTION V - V OR Z - Z



SECTION W - W (51" MEDIAN)



DETAIL Y

STATE OF TENNESSEE
DEPARTMENT OF TRANSPORTATION
STEEL SLIDER PLATE ASSEMBLIES FOR CONCRETE MEDIAN BARRIER 2021

DESIGNED BY C.M. HILES
DRAWN BY KIM FRANKENFIELD
SUPERVISED BY C.M. HILES
CHECKED BY C.M. HILES

DATE _____
DATE _____
DATE _____
DATE _____

CORRECT *Ded A. Krieger*
ENGINEER OF STRUCTURES