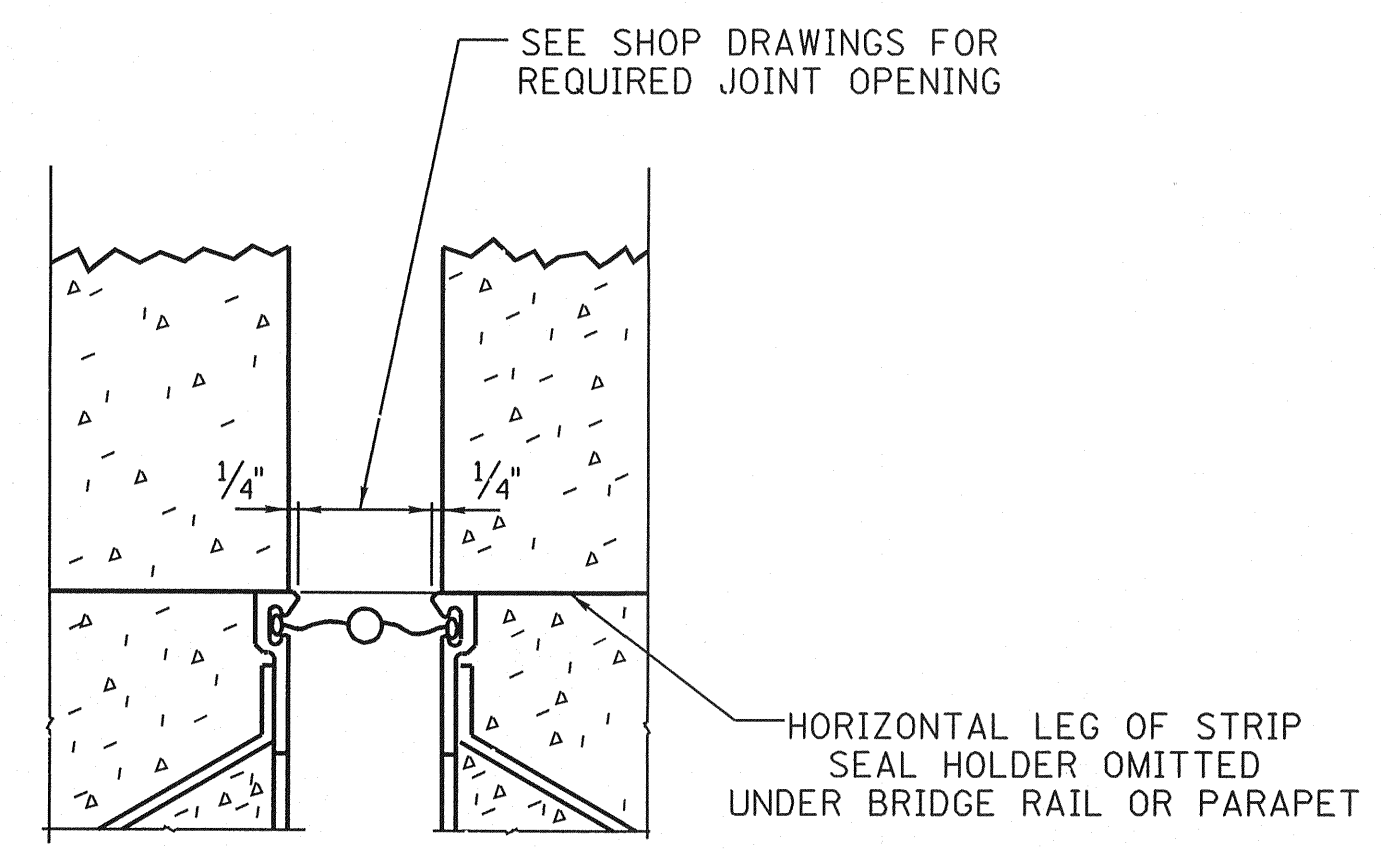


(BRIDGES WITHOUT SIDEWALKS OR CURBS)

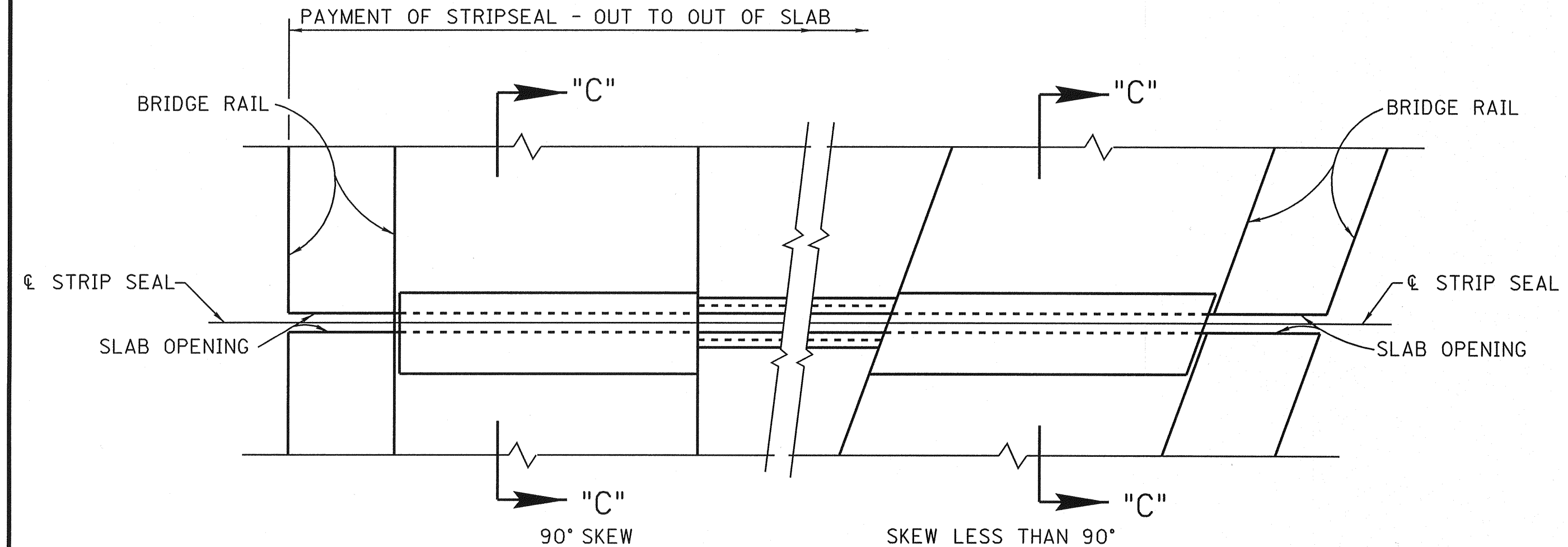
DETAIL OF PARAPET EXPANSION DEVICE

DETAIL OF BRIDGE RAIL EXPANSION DEVICE

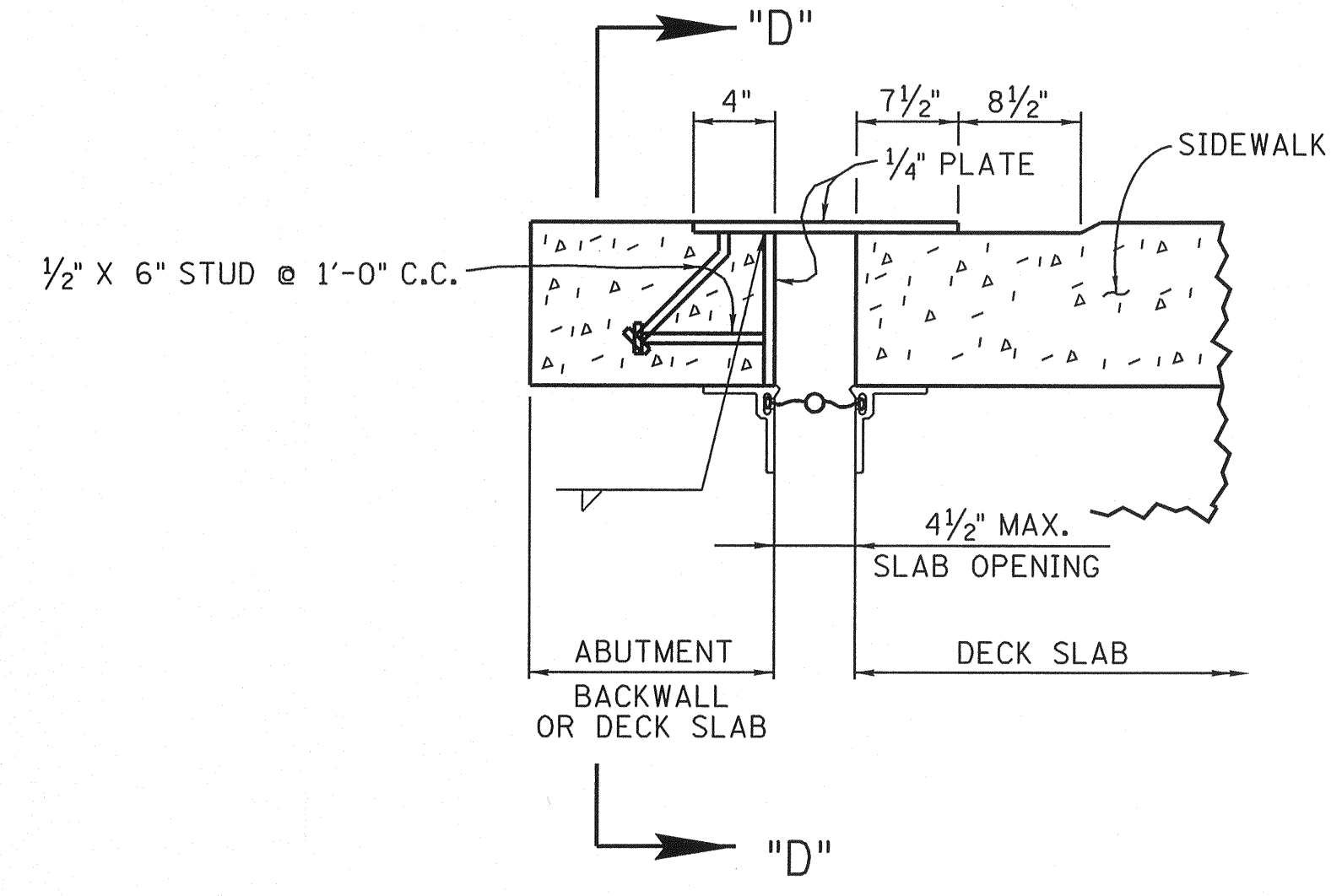
** DENOTES: MEMBRANE RETAINER WITHOUT LEGS (NON CROSS-HATCHED AREA OF ALTERNATE 1 RETAINER) TO EXTEND 6" BEYOND DECK SLAB ON LOW SIDE OF JOINTS.



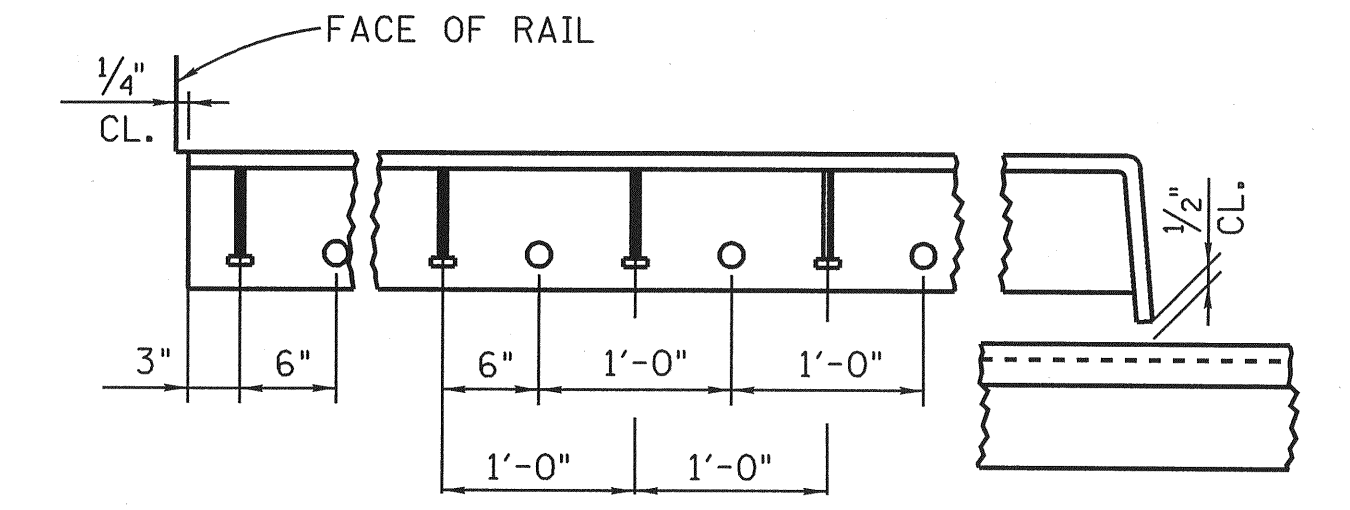
SECTION "B"- "B"



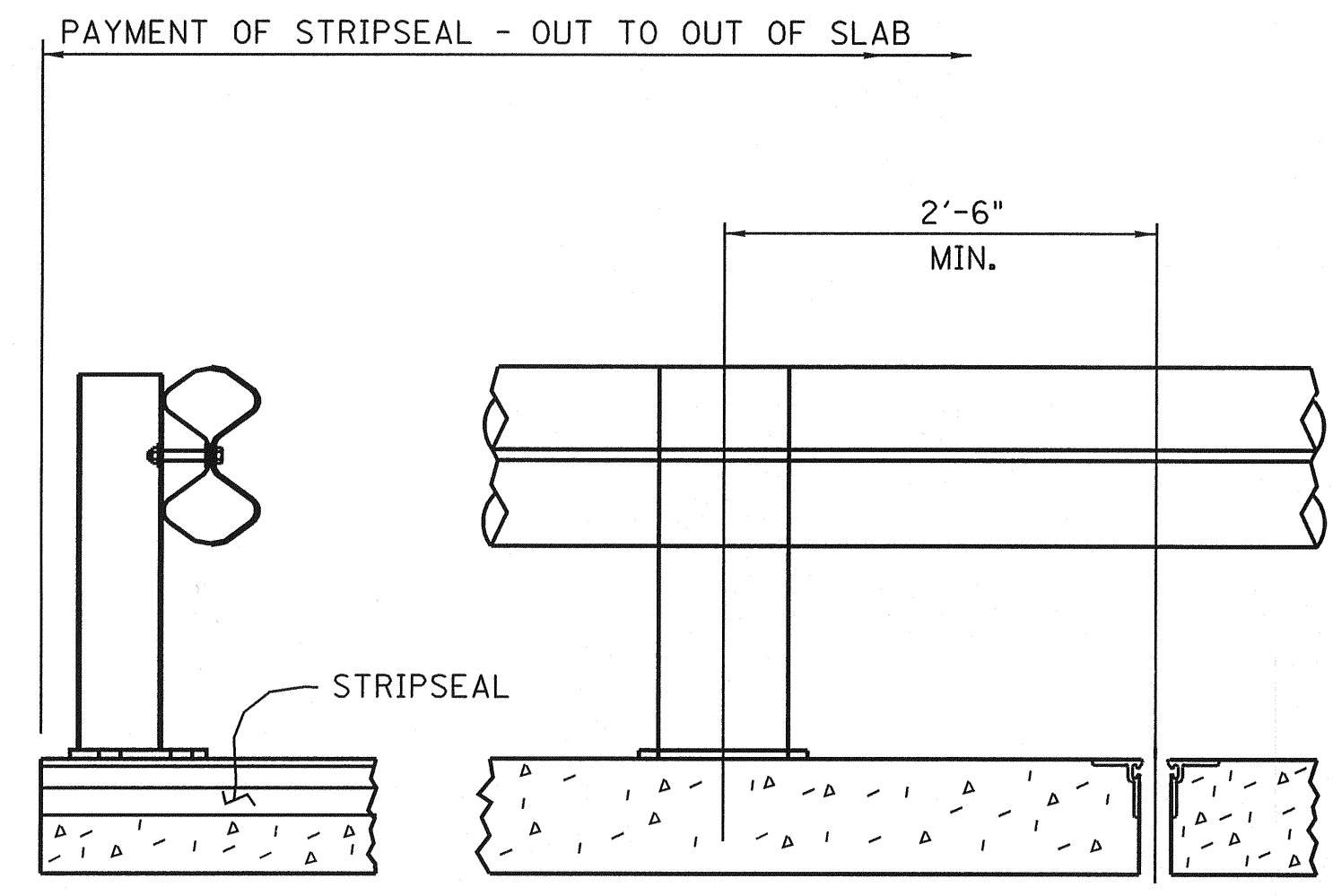
PLAN VIEW OF PARAPET OR OTHER SOLID CONCRETE BRIDGE RAIL (BRIDGES WITH CURB OR SIDEWALK)



SECTION "C"- "C"



SECTION "D"- "D" (SHOWING STUD SPACING)



TYPICAL SECTION OF EXPANSION DEVICE (WHEN USED WITH METAL RAIL)

PROJECT NO.	YEAR	SHEET NO.	
	1988		
REVISIONS			
NO.	DATE	BY	BRIEF DESCRIPTION
5	2-21-89	RMD	ADDED TO STRIPSEAL DETAILS
6	7-31-91	RMD	ADDED SIDEWALK DETAILS & MODIFIED MEMBRANE RETAINER TO RUN UNDER RAILS
7	9-1-91	M.A.H.	CHANGED DWG. NO. FROM M-156-108A
8	2-14-94	MAH	DELETED PLAN VIEW OF PARAPET
9	11-1-10	EPW	DELETED TURN UP IN SIDEWALK

DESIGNED BY _____ DATE _____
 DRAWN BY D. HAMPTON DATE 1-89
 SUPERVISED BY _____ DATE _____
 CHECKED BY _____ DATE _____

MINOR REVISION - FHWA APPROVAL NOT REQUIRED
 STATE OF TENNESSEE
 DEPARTMENT OF TRANSPORTATION
 STRIPSEAL JOINT EXPANSION
 NEW CONSTRUCTION

CORRECT *Edward P. Wasserman*
 ENGINEER OF STRUCTURES