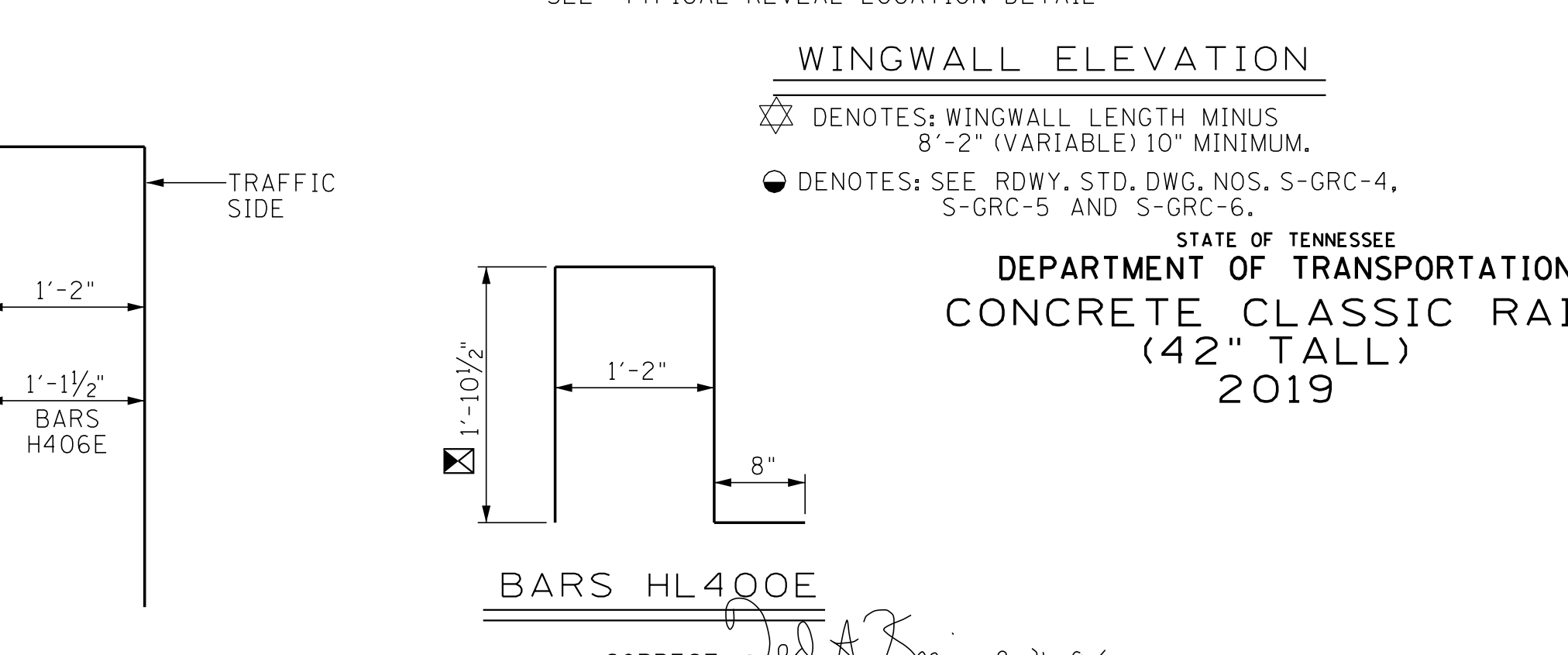
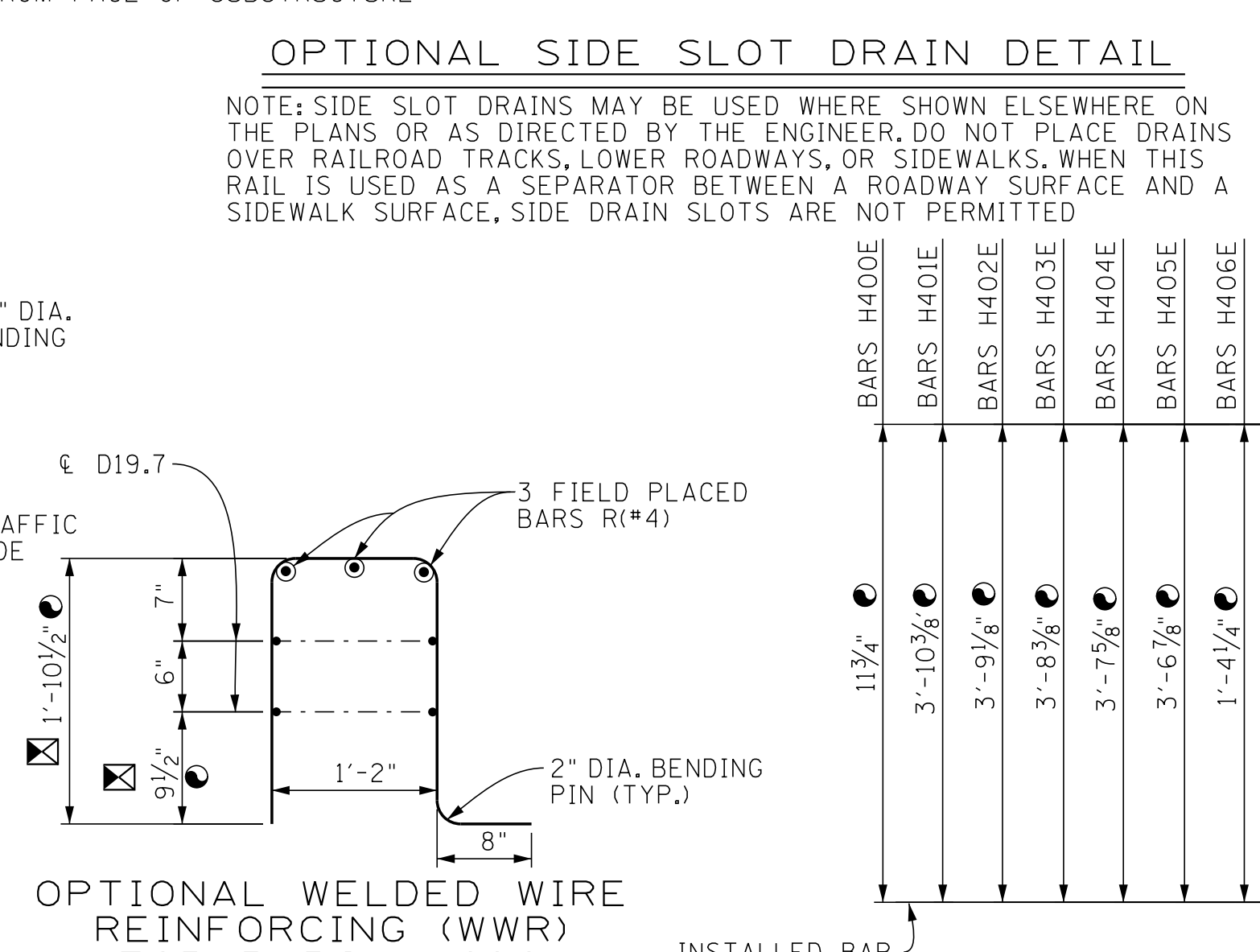
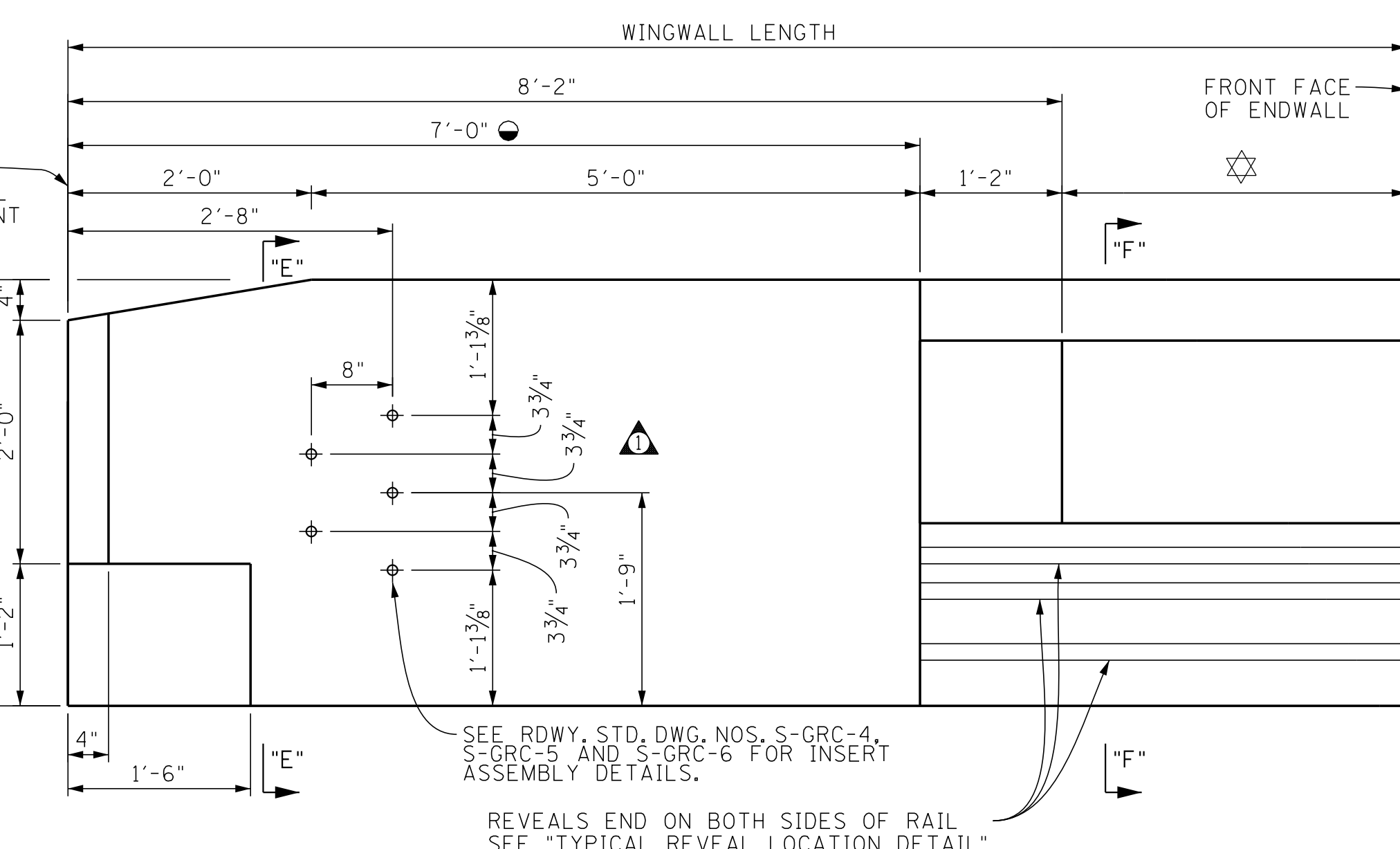
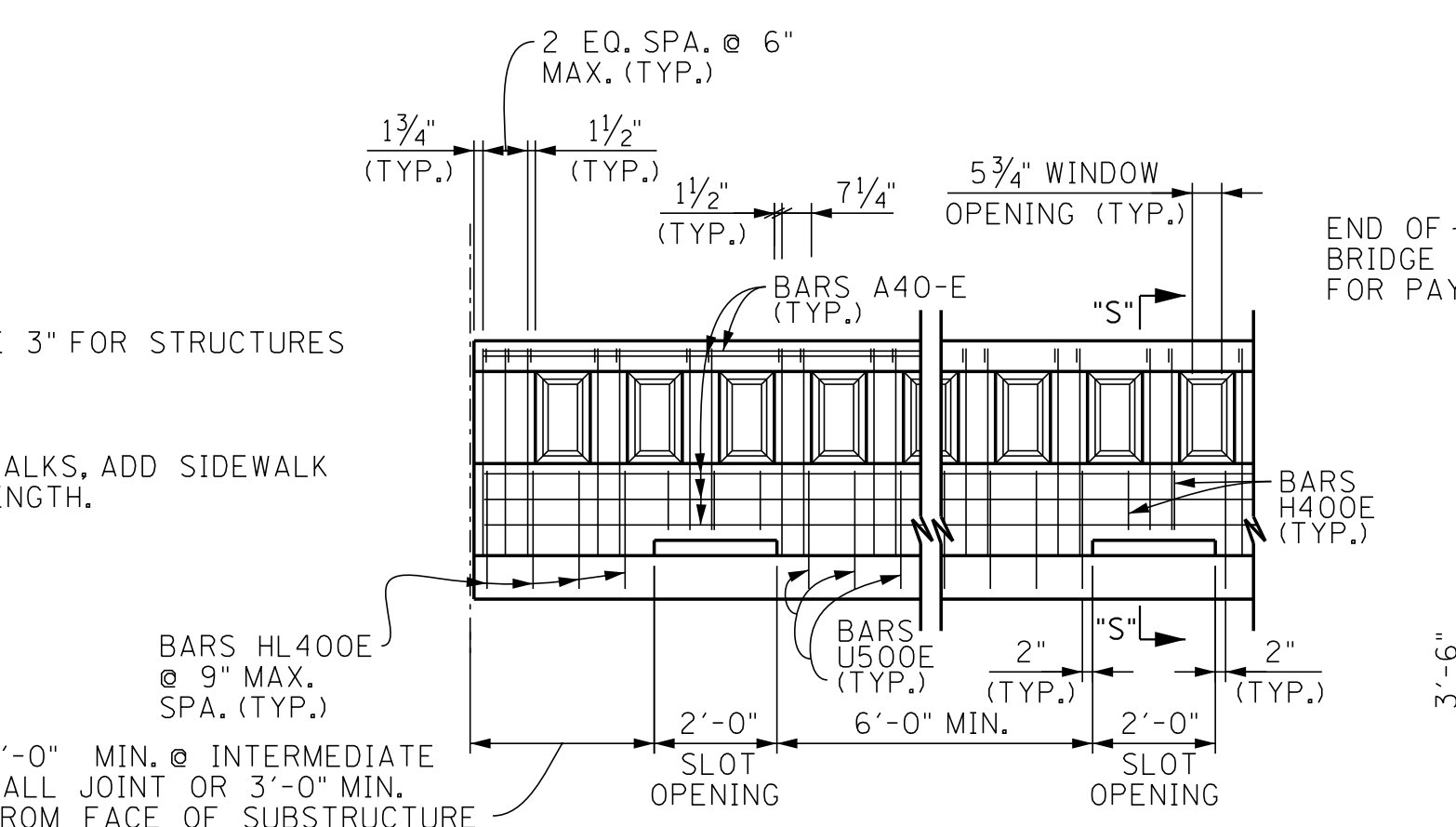
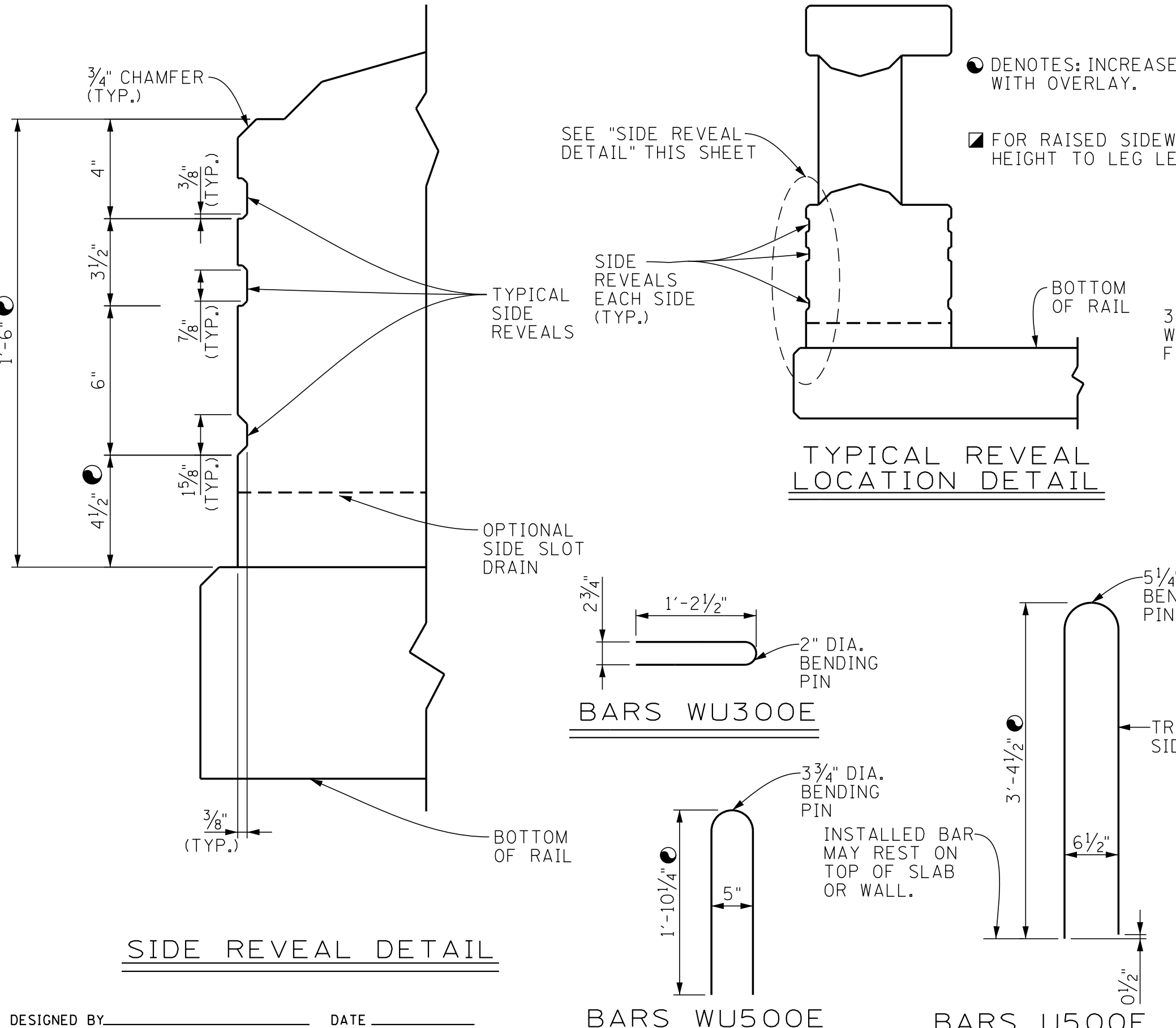
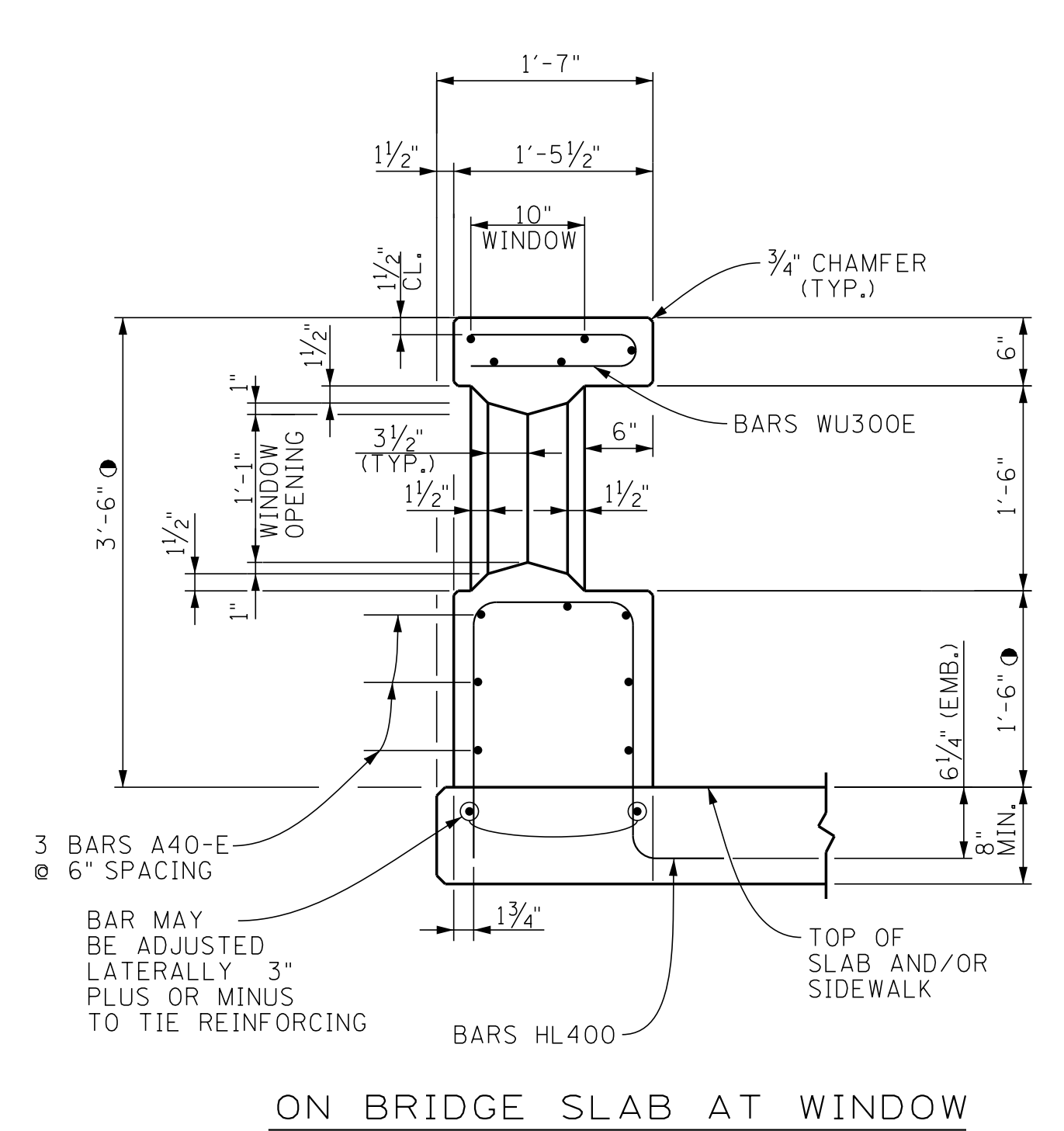
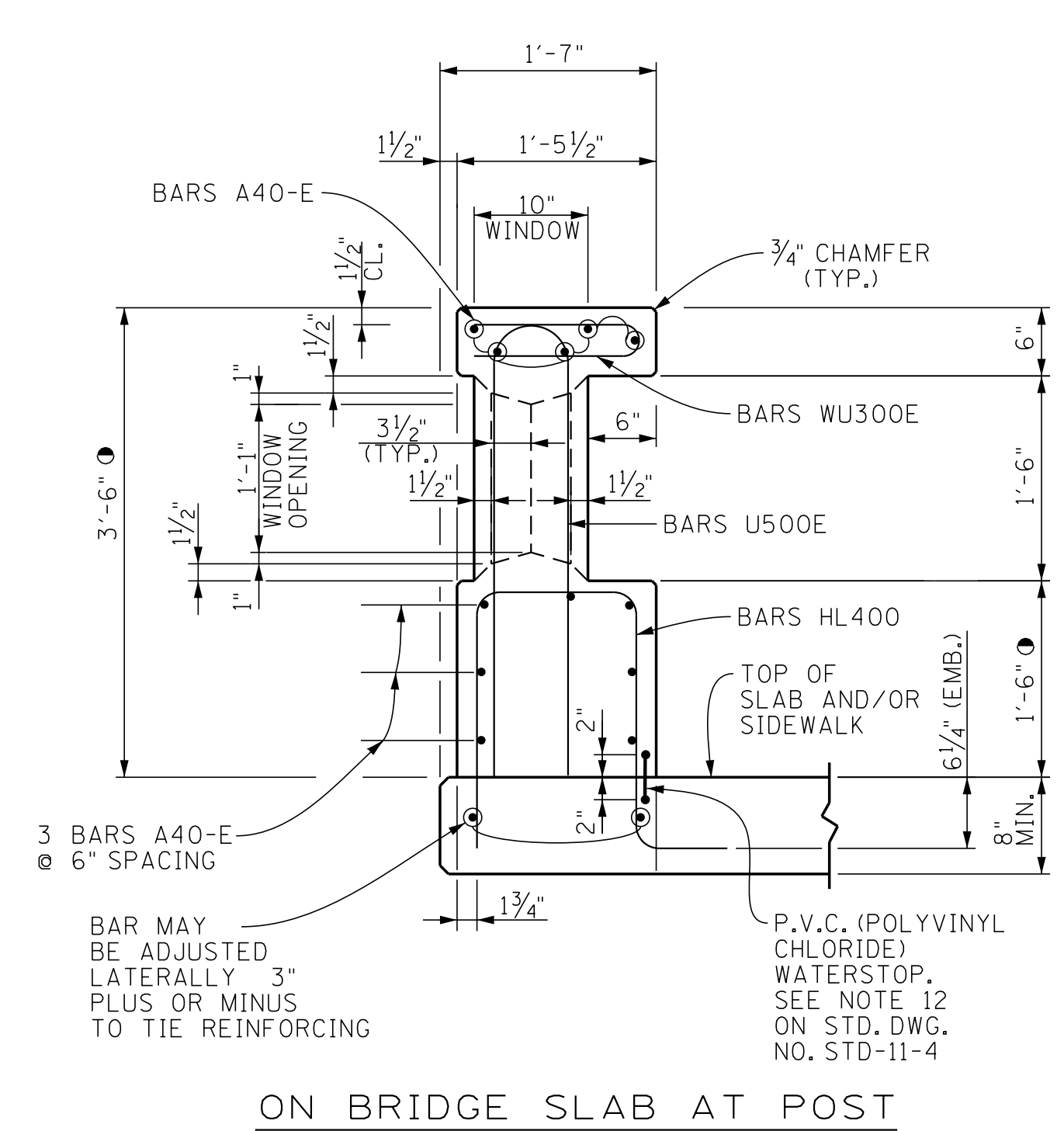
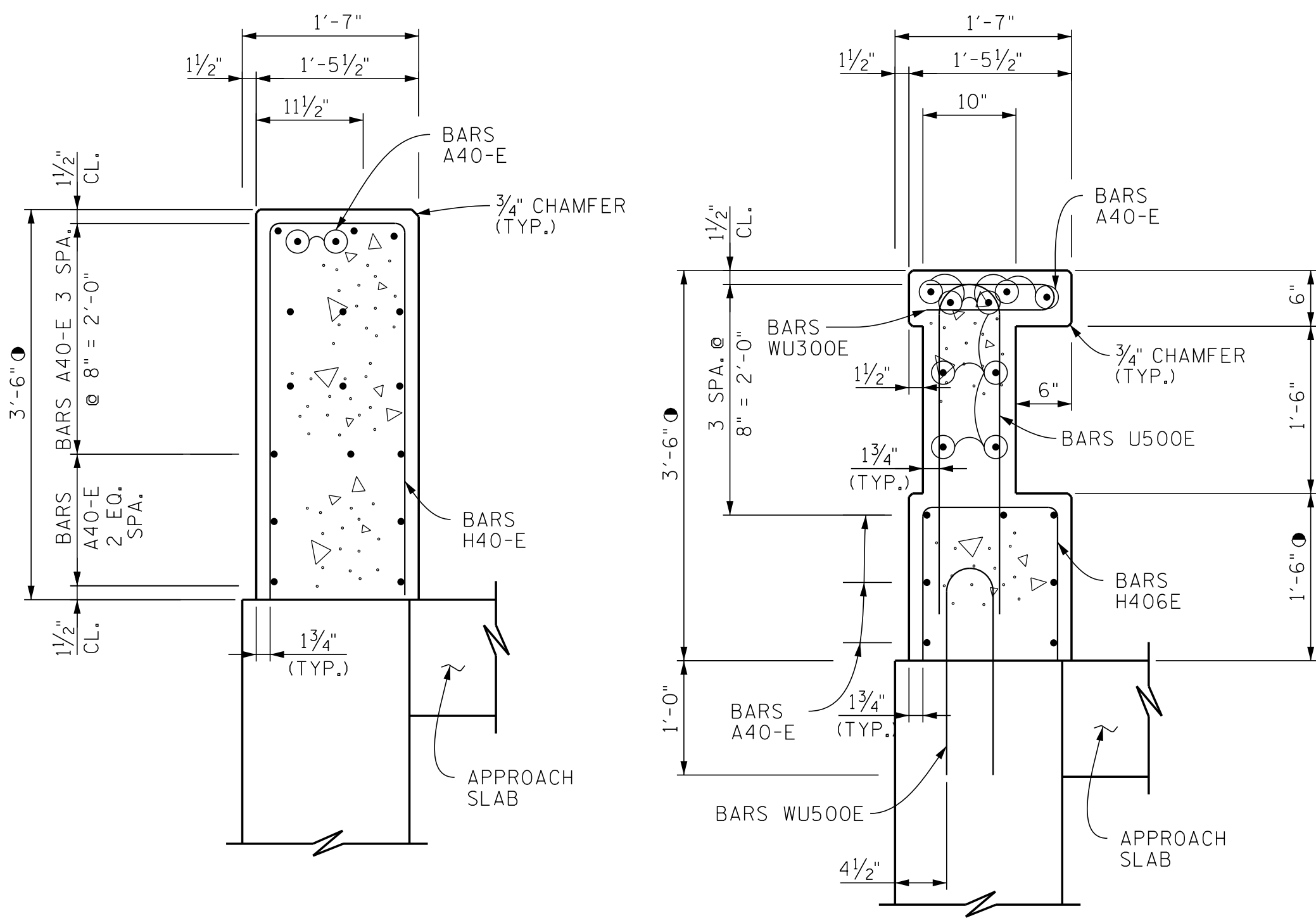


PROJECT NO.	YEAR	SHEET NO.	
	2019		
REVISIONS			
NO.	DATE	BY	BRIEF DESCRIPTION
1	8-30-19	JHW	REVISED GUARDRAIL INSERT SPACING



STATE OF TENNESSEE
 DEPARTMENT OF TRANSPORTATION
 CONCRETE CLASSIC RAIL
 (42" TALL)
 2019

DESIGNED BY _____ DATE _____
 DRAWN BY MARTINKO/MCADOO DATE 05-19
 SUPERVISED BY _____ DATE _____
 CHECKED BY _____ DATE _____

CORRECT *Jed A. King*
 ENGINEER OF STRUCTURES