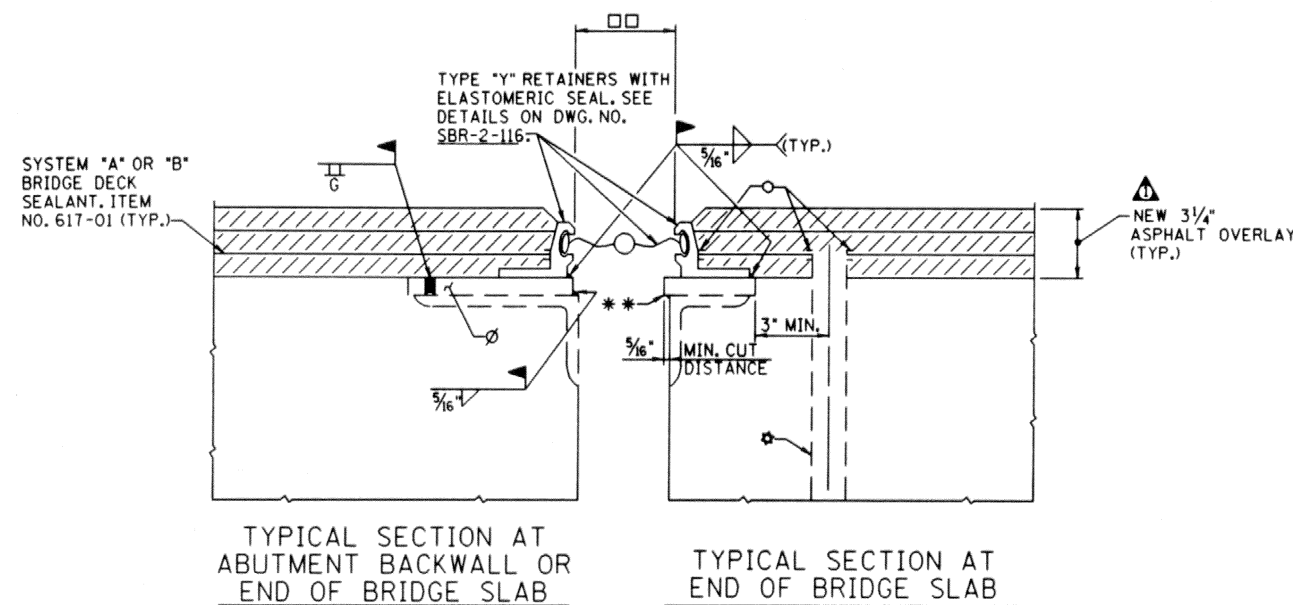


PROJECT NO.	YEAR	SHEET NO.
	1991	

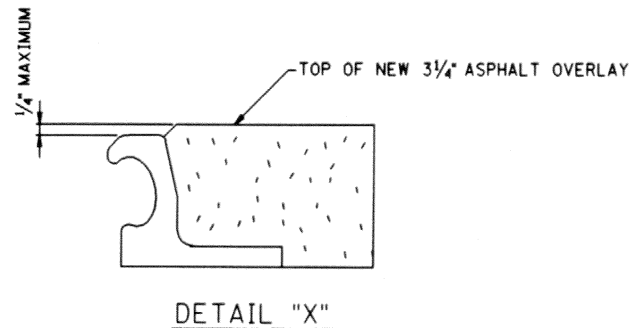
REVISIONS

NO.	DATE	BY	BRIEF DESCRIPTION
1	7-29-92	WMM	REVISED NEW ASPHALT OVERLAY AND ADDED DETAIL "X"
2	3-8-95	TO	REMOVED SIGNATURES
3	1-4-96	TO	REVISED BR DRAWING NO. TO SBR DRAWING NO.



- DENOTES: MASTIC AS RECOMMENDED BY MANUFACTURER OF MEMBRANE. SEE STANDARD SPECIFICATIONS, ARTICLE 906.04.
- ∅ NOTE: EXISTING SLIDING PLATE TO BE FLAME CUT AND MOVED TO OPPOSITE SIDE OF JOINT AS SHOWN. IT SHALL HAVE THE FLAME CUT EDGES GROUND SMOOTH AND BE SECURELY WELDED TO THE OPPOSITE SIDE OF JOINT AS SHOWN. CONTRACTOR TO TAKE EXTREME CARE SO AS NOT TO DAMAGE EXISTING WELD.
- ☆ NOTE: CONTRACTOR TO DRILL A 1 1/2" ∅ HOLE NEAR FACE OF CONCRETE CURB OR PARAPET AT LOW POINT EACH SIDE OF BRIDGE. WHEN EXPANSION JOINT MODIFICATIONS OCCUR AT A BENT OR PIER, THE 1 1/2" ∅ HOLE SHALL BE DRILLED EACH SIDE OF THE EXPANSION JOINT THROUGH THE EXISTING BRIDGE SLAB, AT LOCATIONS DESIGNATED IN THIS NOTE. COST TO BE INCLUDED IN ITEM NO. 617-01.
- ** DENOTES: CONTRACTOR TO TAKE EXTREME CARE WHEN FLAME CUTTING THIS PLATE SO AS NOT TO DAMAGE EXISTING WELD.
- DENOTES: SET EXPANSION JOINT OPENING 2" AT 60°F. (ACTUAL SETTING AS PER TEMPERATURE CHART ON EXPANSION JOINT SHOP DRAWINGS).

EXPANSION JOINT REPLACEMENT DETAILS-TYPE "J"
 BID UNDER ITEM NO. 604-10-48, EXPANSION JOINT REPAIR, LINEAR FEET



B/R MINOR REVISION - FHWA APPROVAL NOT REQUIRED

STATE OF TENNESSEE
 DEPARTMENT OF TRANSPORTATION
 STRIP SEAL EXPANSION JOINTS - REPLACEMENT CONSTRUCTION DETAILS TYPE "J" 1991

DESIGNED BY _____ DATE _____
 DRAWN BY CHARLES W. ROSS JR. DATE 9-89
 SUPERVISED BY OENTRY • MCINTURFF DATE 9-89
 CHECKED BY MCINTURFF • GLASGOW DATE 7-90

SBR-2-121