

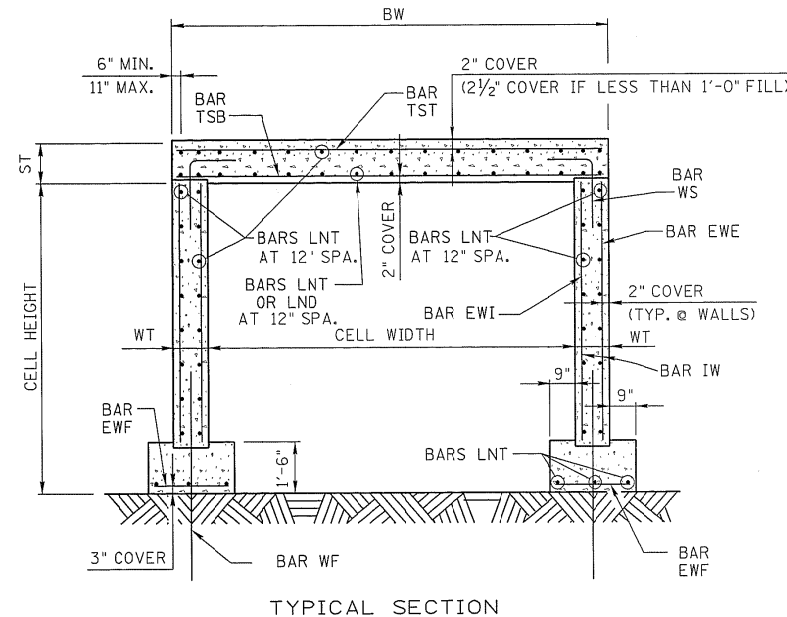
1 @ 10 x 4 REINFORCED CONCRETE SLAB BRIDGE																										
Fill Height ft.	Dimensions			Bars TST				Bars TSB				Bars EWE				Bar EWI				Bars LNT	Bars LND	Bars WS	Bars WF	Bars EWF	Concrete CY/LF	Reinf. Steel LB/LF
	ST in.	WT in.	BW ft.	Size	No.	Spacing in.	Length ft.	Size	No.	Spacing in.	Length ft.	Size	No.	Spacing in.	Length ft.	Size	No.	Spacing in.	Length ft.	No.	No.	No.	No.	Length ft.		
No Fill	9.5	8	11.33	4	1	12	10.83	7	2	6	10.83	4	2	12	2.50	4	2	12	2.50	25	20	2	2	1.66	0.69	149
3	10	8	11.33	4	1	12	10.83	7	2	6	10.83	4	2	12	2.50	4	2	12	2.50	25	20	2	2	1.66	0.71	149
5	9	8	11.33	4	1	12	10.83	6	2	6	10.83	4	2	12	2.50	4	2	12	2.50	36	0	2	2	1.66	0.67	131
10	9	8	11.33	4	1	12	10.83	7	2	6	10.83	4	2	12	2.50	4	2	12	2.50	36	0	2	2	1.66	0.67	143
20	11	8	11.33	4	1	12	10.83	11	1	12	10.83	4	2	12	2.50	4	2	12	2.50	36	0	2	2	1.66	0.74	156
30	17	8	11.33	4	1	12	10.83	7	2	6	10.83	4	2	12	2.50	4	2	12	2.50	36	0	2	2	1.66	0.95	143
40	21	8	11.33	4	1	12	10.83	7	2	6	10.83	4	2	12	2.50	4	2	12	2.50	36	0	2	2	1.66	1.09	143
50	24	8	11.33	4	1	12	10.83	10	1	12	10.83	4	2	12	2.50	4	2	12	2.50	36	0	2	2	1.66	1.20	145
60	26	8	11.33	4	1	12	10.83	11	1	12	10.83	4	2	12	2.50	4	2	12	2.50	36	0	2	2	1.66	1.27	156

1 @ 10 x 5 REINFORCED CONCRETE SLAB BRIDGE																										
Fill Height ft.	Dimensions			Bars TST				Bars TSB				Bars EWE				Bar EWI				Bars LNT	Bars LND	Bars WS	Bars WF	Bars EWF	Concrete CY/LF	Reinf. Steel LB/LF
	ST in.	WT in.	BW ft.	Size	No.	Spacing in.	Length ft.	Size	No.	Spacing in.	Length ft.	Size	No.	Spacing in.	Length ft.	Size	No.	Spacing in.	Length ft.	No.	No.	No.	No.	Length ft.		
No Fill	9.0	8	11.33	4	1	12	10.83	7	2	6	10.83	4	2	12	3.50	4	2	12	3.50	29	20	2	2	1.66	0.74	154
3	10	8	11.33	4	1	12	10.83	7	2	6	10.83	4	2	12	3.50	4	2	12	3.50	29	20	2	2	1.66	0.76	154
5	9	8	11.33	4	1	12	10.83	6	2	6	10.83	4	2	12	3.50	4	2	12	3.50	40	0	2	2	1.66	0.72	137
10	9	8	11.33	4	1	12	10.83	7	2	6	10.83	4	2	12	3.50	4	2	12	3.50	40	0	2	2	1.66	0.72	148
20	11	8	11.33	4	1	12	10.83	11	1	12	10.83	4	2	12	3.50	4	2	12	3.50	40	0	2	2	1.66	0.79	162
30	17	8	11.33	4	1	12	10.83	7	2	6	10.83	4	2	12	3.50	4	2	12	3.50	40	0	2	2	1.66	1.00	148
40	21	8	11.33	4	1	12	10.83	7	2	6	10.83	4	2	12	3.50	4	2	12	3.50	40	0	2	2	1.66	1.14	148
50	24	8	11.33	4	1	12	10.83	10	1	12	10.83	4	2	12	3.50	4	2	12	3.50	40	0	2	2	1.66	1.25	151
60	26	8	11.33	4	1	12	10.83	11	1	12	10.83	4	2	12	3.50	4	2	12	3.50	40	0	2	2	1.66	1.32	162

1 @ 10 x 6 REINFORCED CONCRETE SLAB BRIDGE																										
Fill Height ft.	Dimensions			Bars TST				Bars TSB				Bars EWE				Bar EWI				Bars LNT	Bars LND	Bars WS	Bars WF	Bars EWF	Concrete CY/LF	Reinf. Steel LB/LF
	ST in.	WT in.	BW ft.	Size	No.	Spacing in.	Length ft.	Size	No.	Spacing in.	Length ft.	Size	No.	Spacing in.	Length ft.	Size	No.	Spacing in.	Length ft.	No.	No.	No.	No.	Length ft.		
No Fill	9.5	8	11.33	4	1	12	10.83	7	2	6	10.83	4	2	12	4.50	4	2	12	4.50	33	20	2	2	1.66	0.79	159
3	10	8	11.33	4	1	12	10.83	7	2	6	10.83	4	2	12	4.50	4	2	12	4.50	33	20	2	2	1.66	0.81	159
5	9	8	11.33	4	1	12	10.83	6	2	6	10.83	4	2	12	4.50	4	2	12	4.50	44	0	2	2	1.66	0.77	141
10	9	8	11.33	4	1	12	10.83	7	2	6	10.83	4	2	12	4.50	4	2	12	4.50	44	0	2	2	1.66	0.77	153
20	11	8	11.33	4	1	12	10.83	11	1	12	10.83	4	2	12	4.50	4	2	12	4.50	44	0	2	2	1.66	0.84	166
30	17	8	11.33	4	1	12	10.83	7	2	6	10.83	4	2	12	4.50	4	2	12	4.50	44	0	2	2	1.66	1.05	153
40	21	8	11.33	4	1	12	10.83	7	2	6	10.83	4	2	12	4.50	4	2	12	4.50	44	0	2	2	1.66	1.19	153
50	24	9	11.50	4	1	12	11.00	10	1	12	11.00	4	2	12	4.50	4	2	12	4.50	44	0	2	2	1.75	1.35	156
60	26	9	11.50	4	1	12	11.00	11	1	12	11.00	4	2	12	4.50	4	2	12	4.50	44	0	2	2	1.75	1.42	167

Note: Maximum fill height shown in the table is measured from the bottom of the top slab. To obtain the total fill height from the flow line, add the height of the box.
 Note: When top slab is the riding surface (No Fill), the concrete cover to the top mat of reinforcing shall be 2-1/2 inches.

The following bar information applies to all fill cases in the table above:
 Bars LNT Size = 4 Spacing = 12 in.
 Bars LND Size = 4 Spacing = 6 in.
 Bars WS Size = 8 Length = 5.00 ft. Spacing = 12 in.
 Bars WF Size = 8 Length = 6.00 ft. Spacing = 12 in.
 Bars EWF Size = 4 No. = 2 Spacing = 12 in.



NOTE: FOR DESCRIPTIONS OF BOX DIMENSIONS AND REINFORCING BAR DESIGNATIONS SEE STANDARD DRAWING NO. STD-15-4.

STATE OF TENNESSEE
 DEPARTMENT OF TRANSPORTATION
 STANDARD REINFORCED CONCRETE
 SLAB BRIDGE
 INTERIOR SECTION
 SPANS: 1 BARREL AT 10'-0"
 CLEAR HEIGHTS 4'-0" THRU 6'-0"
 0' THRU 60' FILL
 2000

CORRECT *Edward P. Wasserman*
 ENGINEER OF STRUCTURES