

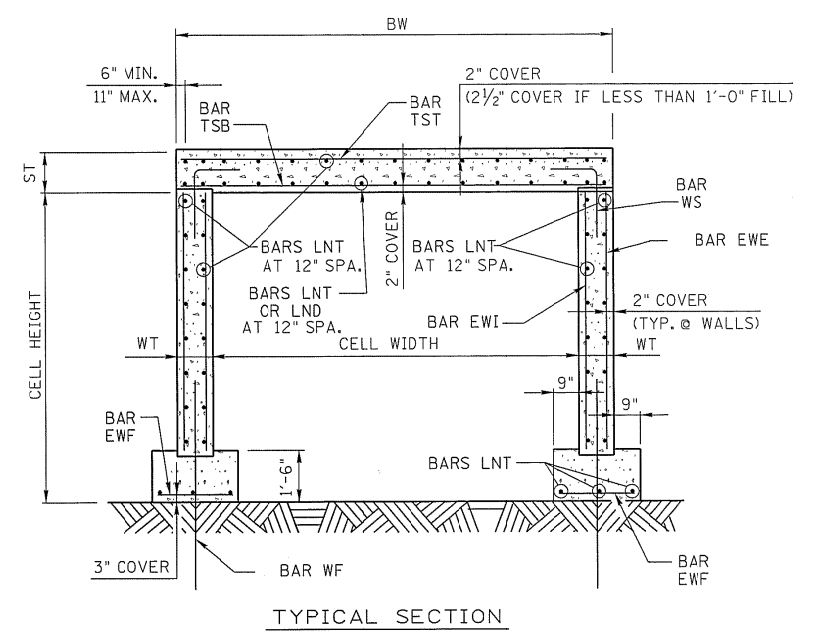
CONST. NO.			
PROJECT NO.	YEAR	SHEET NO.	
REVISIONS			
NO.	DATE	BY	BRIEF DESCRIPTION

1 @ 8 x 3 REINFORCED CONCRETE SLAB BRIDGE																										
Fill Height ft.	Dimensions			Bars TST				Bars TSB				Bars EWE				Bar EWI				Bars LNT	Bars LND	Bars WS	Bars WF	Bars EWF	Concrete CY/LF	Reinf. Steel LB/LF
	ST in.	WT in.	BW ft.	Size	No.	Spacing in.	Length ft.	Size	No.	Spacing in.	Length ft.	Size	No.	Spacing in.	Length ft.	Size	No.	Spacing in.	Length ft.	No.	No.	No.	No.	Length ft.		
No Fill	9.5	8	9.33	4	1	12	8.83	6	2	6	8.83	4	2	12	1.50	4	2	12	1.50	19	16	2	2	1.66	0.58	120
3	9	8	9.33	4	1	12	8.83	9	1	12	8.83	4	2	12	1.50	4	2	12	1.50	19	16	2	2	1.66	0.57	123
5	8	8	9.33	4	1	12	8.83	7	1	12	8.83	4	2	12	1.50	4	2	12	1.50	28	0	2	2	1.66	0.54	107
10	8	8	9.33	4	1	12	8.83	8	1	12	8.83	4	2	12	1.50	4	2	12	1.50	28	0	2	2	1.66	0.54	113
20	10	8	9.33	4	1	12	8.83	7	2	6	8.83	4	2	12	1.50	4	2	12	1.50	28	0	2	2	1.66	0.60	126
30	14	8	9.33	4	1	12	8.83	9	1	12	8.83	4	2	12	1.50	4	2	12	1.50	28	0	2	2	1.66	0.71	119
40	17	8	9.33	4	1	12	8.83	9	1	12	8.83	4	2	12	1.50	4	2	12	1.50	28	0	2	2	1.66	0.80	119
50	20	8	9.33	4	1	12	8.83	9	1	12	8.83	4	2	12	1.50	4	2	12	1.50	28	0	2	2	1.66	0.89	119
60	22	8	9.33	4	1	12	8.83	7	2	6	8.83	4	2	12	1.50	4	2	12	1.50	28	0	2	2	1.66	0.94	126

1 @ 8 x 4 REINFORCED CONCRETE SLAB BRIDGE																										
Fill Height ft.	Dimensions			Bars TST				Bars TSB				Bars EWE				Bar EWI				Bars LNT	Bars LND	Bars WS	Bars WF	Bars EWF	Concrete CY/LF	Reinf. Steel LB/LF
	ST in.	WT in.	BW ft.	Size	No.	Spacing in.	Length ft.	Size	No.	Spacing in.	Length ft.	Size	No.	Spacing in.	Length ft.	Size	No.	Spacing in.	Length ft.	No.	No.	No.	No.	Length ft.		
No Fill	9.5	8	9.33	4	1	12	8.83	6	2	6	8.83	4	2	12	2.50	4	2	12	2.50	23	16	2	2	1.66	0.63	126
3	9	8	9.33	4	1	12	8.83	9	1	12	8.83	4	2	12	2.50	4	2	12	2.50	23	16	2	2	1.66	0.62	129
5	8	8	9.33	4	1	12	8.83	7	1	12	8.33	4	2	12	2.50	4	2	12	2.50	32	0	2	2	1.66	0.59	112
10	8	8	9.33	4	1	12	8.83	8	1	12	8.83	4	2	12	2.50	4	2	12	2.50	32	0	2	2	1.66	0.59	118
20	10	8	9.33	4	1	12	8.83	7	2	6	8.83	4	2	12	2.50	4	2	12	2.50	32	0	2	2	1.66	0.65	130
30	14	8	9.33	4	1	12	8.83	9	1	12	8.83	4	2	12	2.50	4	2	12	2.50	32	0	2	2	1.66	0.76	124
40	17	8	9.33	4	1	12	8.83	9	1	12	8.83	4	2	12	2.50	4	2	12	2.50	32	0	2	2	1.66	0.85	124
50	20	8	9.33	4	1	12	8.83	9	1	12	8.83	4	2	12	2.50	4	2	12	2.50	32	0	2	2	1.66	0.94	124
60	22	8	9.33	4	1	12	8.83	7	2	6	8.83	4	2	12	2.50	4	2	12	2.50	32	0	2	2	1.66	0.99	130

Note: Maximum fill height shown in the table is measured from the bottom of the top slab. To obtain the total fill height from the flow line, add the height of the box.
 Note: When top slab is the riding surface (No Fill), the concrete cover to the top mat of reinforcing shall be 2-1/2 inches.

The following bar information applies to all fill cases in the table above:
 Bars LNT Size = 4 Spacing = 12 in.
 Bars LND Size = 4 Spacing = 6 in.
 Bars WS Size = 8 Length = 5.00 ft. Spacing = 12 in.
 Bars WF Size = 8 Length = 6.00 ft. Spacing = 12 in.
 Bars EWF Size = 4 No. = 2 Spacing = 12 in.



NOTE: FOR DESCRIPTIONS OF BOX DIMENSIONS AND REINFORCING BAR DESIGNATIONS SEE STANDARD DRAWING NO. STD-15-4.

STATE OF TENNESSEE
 DEPARTMENT OF TRANSPORTATION
 STANDARD REINFORCED CONCRETE
 SLAB BRIDGE
 INTERIOR SECTION
 SPANS: 1 BARREL AT 8'-0"
 CLEAR HEIGHTS 3'-0" THRU 4'-0"
 0' THRU 60' FILL
 2000

CORRECT *Edward P. Wasserman*
 ENGINEER OF STRUCTURES

DESIGNED BY _____ DATE _____
 DRAWN BY KEVIN MARTINKO DATE 3-00
 SUPERVISED BY FIELDS & HOLLORAN DATE 3-00
 CHECKED BY _____ DATE _____