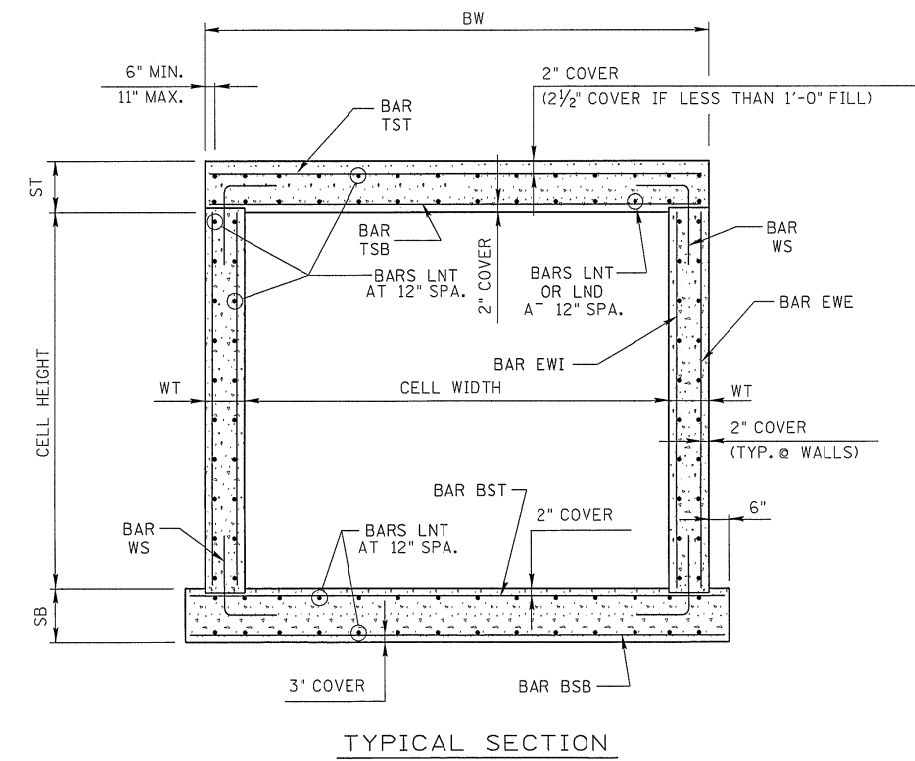


1 @ 12 x 4 REINFORCED CONCRETE BOX BRIDGE																																	
Maximum Fill Height ft.	Dimensions				Bars TST				Bars TSB				Bars BST				Bars BSB				Bars EWE				Bar EWI				Concrete CY/LF	Reinf. Steel LB/LF			
	ST in.	SB in.	WT in.	BW ft.	Size	No.	Spacing in.	Length ft.	Size	No.	Spacing in.	Length ft.	Size	No.	Spacing in.	Length ft.	Size	No.	Spacing in.	Length ft.	Size	No.	Spacing in.	Length ft.	No.	No.	No.						
No Fill	10.5	9	8	13.33	4	1	12	12.83	7	2	6	12.83	9	1	12	13.83	4	1	12	13.83	4	2	12	4.00	4	2	12	4.00	55	24	4	1.02	228
3	10	10	8	13.33	4	1	12	12.83	11	1	12	12.83	9	1	12	13.83	4	1	12	13.83	4	2	12	4.00	4	2	12	4.00	55	24	4	1.05	250
5	10	11	8	13.33	4	1	12	12.83	7	2	6	12.83	7	2	6	13.83	4	1	12	13.83	4	2	12	4.00	4	2	12	4.00	68	0	4	1.09	235
10	10	12	8	13.33	4	1	12	12.83	11	1	12	12.83	7	2	6	13.83	4	1	12	13.83	4	2	12	4.00	4	2	12	4.00	68	0	4	1.13	251
20	13	14	8	13.33	4	1	12	12.83	9	2	6	12.83	9	2	6	13.83	4	1	12	13.83	4	2	12	4.00	4	2	12	4.00	68	0	4	1.35	308
30	19	21	8	13.33	4	1	12	12.83	11	1	12	12.83	11	1	12	13.83	4	1	12	13.83	4	2	12	4.00	4	2	12	4.00	68	0	4	1.90	268
40	24	25	8	13.33	4	1	12	12.83	11	1	12	12.83	11	1	12	13.83	4	1	12	13.83	4	2	12	4.00	4	2	12	4.00	68	0	4	2.29	268
50	28	29	8	13.33	4	1	12	12.83	11	1	12	12.83	11	1	12	13.83	4	1	12	13.83	4	2	12	4.00	4	2	12	4.00	68	0	4	2.63	268
60	31	32	8	13.33	4	1	12	12.83	9	2	6	12.83	9	2	6	13.83	4	1	12	13.83	4	2	12	4.00	4	2	12	4.00	68	0	4	2.88	308

1 @ 12 x 5 REINFORCED CONCRETE BOX BRIDGE																																	
Maximum Fill Height ft.	Dimensions				Bars TST				Bars TSB				Bars BST				Bars BSB				Bars EWE				Bar EWI				Concrete CY/LF	Reinf. Steel LB/LF			
	ST in.	SB in.	WT in.	BW ft.	Size	No.	Spacing in.	Length ft.	Size	No.	Spacing in.	Length ft.	Size	No.	Spacing in.	Length ft.	Size	No.	Spacing in.	Length ft.	Size	No.	Spacing in.	Length ft.	No.	No.	No.						
No Fill	10.5	9	8	13.33	4	1	12	12.83	7	2	6	12.83	9	1	12	13.83	4	1	12	13.83	4	2	12	5.00	4	2	12	5.00	59	24	4	1.07	239
3	10	10	8	13.33	4	1	12	12.83	11	1	12	12.83	9	1	12	13.83	4	1	12	13.83	4	2	12	5.00	4	2	12	5.00	59	24	4	1.10	254
5	10	11	8	13.33	4	1	12	12.83	7	2	6	12.83	7	2	6	13.83	4	1	12	13.83	4	2	12	5.00	4	2	12	5.00	72	0	4	1.14	241
10	10	12	8	13.33	4	1	12	12.83	11	1	12	12.83	10	1	12	13.83	4	1	12	13.83	4	2	12	5.00	4	2	12	5.00	72	0	4	1.18	260
20	13	15	8	13.33	4	1	12	12.83	9	2	6	12.83	11	1	12	13.83	4	1	12	13.83	4	2	12	5.00	4	2	12	5.00	72	0	4	1.44	293
30	19	21	8	13.33	4	1	12	12.83	11	1	12	12.83	11	1	12	13.83	4	1	12	13.83	4	2	12	5.00	4	2	12	5.00	72	0	4	1.95	274
40	24	25	8	13.33	4	1	12	12.83	11	1	12	12.83	11	1	12	13.83	4	1	12	13.83	4	2	12	5.00	4	2	12	5.00	72	0	4	2.34	274
50	28	29	9	13.50	4	1	12	13.00	11	1	12	13.00	11	1	12	14.00	4	1	12	14.00	4	2	12	5.00	4	2	12	5.00	72	0	4	2.74	276
60	31	32	10	13.67	4	1	12	13.17	9	2	6	13.17	9	2	6	14.17	4	1	12	14.17	4	2	12	5.00	4	2	12	5.00	72	0	4	3.06	318

1 @ 12 x 6 REINFORCED CONCRETE BOX BRIDGE																																	
Maximum Fill Height ft.	Dimensions				Bars TST				Bars TSB				Bars BST				Bars BSB				Bars EWE				Bar EWI				Concrete CY/LF	Reinf. Steel LB/LF			
	ST in.	SB in.	WT in.	BW ft.	Size	No.	Spacing in.	Length ft.	Size	No.	Spacing in.	Length ft.	Size	No.	Spacing in.	Length ft.	Size	No.	Spacing in.	Length ft.	Size	No.	Spacing in.	Length ft.	No.	No.	No.						
No Fill	10.5	9	8	13.33	4	1	12	12.83	7	2	6	12.83	9	1	12	13.83	4	1	12	13.83	4	2	12	6.00	4	2	12	6.00	63	24	4	1.12	244
3	10	10	8	13.33	4	1	12	12.83	11	1	12	12.83	9	1	12	13.83	4	1	12	13.83	4	2	12	6.00	4	2	12	6.00	63	24	4	1.15	260
5	10	11	8	13.33	4	1	12	12.83	7	2	6	12.83	7	2	6	13.83	4	1	12	13.83	4	2	12	6.00	4	2	12	6.00	76	0	4	1.19	247
10	10	12	8	13.33	4	1	12	12.83	11	1	12	12.83	10	1	12	13.83	4	1	12	13.83	4	2	12	6.00	4	2	12	6.00	76	0	4	1.23	265
20	13	15	8	13.33	4	1	12	12.83	9	2	6	12.83	11	1	12	13.83	4	1	12	13.83	4	2	12	6.00	4	2	12	6.00	76	0	4	1.49	298
30	19	21	8	13.33	4	1	12	12.83	11	1	12	12.83	11	1	12	13.83	4	1	12	13.83	4	2	12	6.00	5	2	12	6.00	76	0	4	2.00	284
40	24	25	9	13.50	4	1	12	13.00	11	1	12	13.00	11	1	12	14.00	4	1	12	14.00	4	2	12	6.00	4	2	12	6.00	76	0	4	2.45	281
50	28	29	10	13.67	4	1	12	13.17	11	1	12	13.17	11	1	12	14.17	4	1	12	14.17	4	2	12	6.00	4	2	12	6.00	76	0	4	2.86	283
60	31	32	11	13.83	4	1	12	13.33	9	2	6	13.33	9	2	6	14.33	4	1	12	14.33	4	2	12	6.00	4	2	12	6.00	76	0	4	3.19	326

1 @ 12 x 7 REINFORCED CONCRETE BOX BRIDGE																																	
Maximum Fill Height ft.	Dimensions				Bars TST				Bars TSB				Bars BST				Bars BSB				Bars EWE				Bar EWI				Concrete CY/LF	Reinf. Steel LB/LF			
	ST in.	SB in.	WT in.	BW ft.	Size	No.	Spacing in.	Length ft.	Size	No.	Spacing in.	Length ft.	Size	No.	Spacing in.	Length ft.	Size	No.	Spacing in.	Length ft.	Size	No.	Spacing in.	Length ft.	No.	No.	No.						
No Fill	10.5	9	8	13.33	4	1	12	12.83	7	2	6	12.83	9	1	12	13.83	4	1	12	13.83	4	2	12	7.00	4	2	12	7.00	67	24	4	1.17	250
3	10	10	8	13.33	4	1	12	12.83	11	1	12	12.83	7	2	6	13.83	4	1	12	13.83	4	2	12	7.00	4	2	12	7.00	67	24	4	1.19	275
5	10	11	8	13.33	4	1	12	12.83	7	2	6	12.83	7	2	6	13.83	4	1	12	13.83	4	2	12	7.00	4	2	12	7.00	80	0	4	1.24	251
10	10	12	8	13.33	4	1	12	12.83	11	1	12	12.83	10	1	12	13.83	4	1	12	13.83	4	2	12	7.00	5	2	12	7.00	80	0	4	1.28	275
20	13	15	8	13.33	4	1	12	12.83	9	2	6	12.83	11	1	12	13.83	4	1	12	13.83	4	2	12	7.00	4	4	6	7.00	80	0	4	1.54	312
30	19	21	9	13.50	4	1	12	13.00	11	1	12	13.00	11	1	12	14.00	4	1	12	14.00	4	2	12	7.00	4	4	6	7.00	80	0	4	2.12	295
40	24	25	11	13.83	4	1	12	13.33	11	1	12	13.33	11	1	12	14.33	4	1	12	14.33	4	2	12	7.00	5	2	12	7.00	80	0	4	2.64	295
50	28	29	12	14.00	4	1	12	13.50	11	1	12	13.50	11	1	12	14.50	4	1	12	14.50	4	2	12	7.00	5	2	12	7.00	84	0	4	3.07	300
60	31	32	13	14.17	4	1	12	13.67	9	2	6	13.67	9	2	6	14.67	4	1	12	14.67	4	2	12	7.00	4	2	12	7.00	84	0	4	3.41	339



Note: Maximum fill height shown in the table is measured from the bottom of the top slab. To obtain the total fill height from the flow line, add the height of the box.
 Note: When top slab is the riding surface (No Fill), the concrete cover to the top mat of reinforcing shall be 2-1/2 inches.