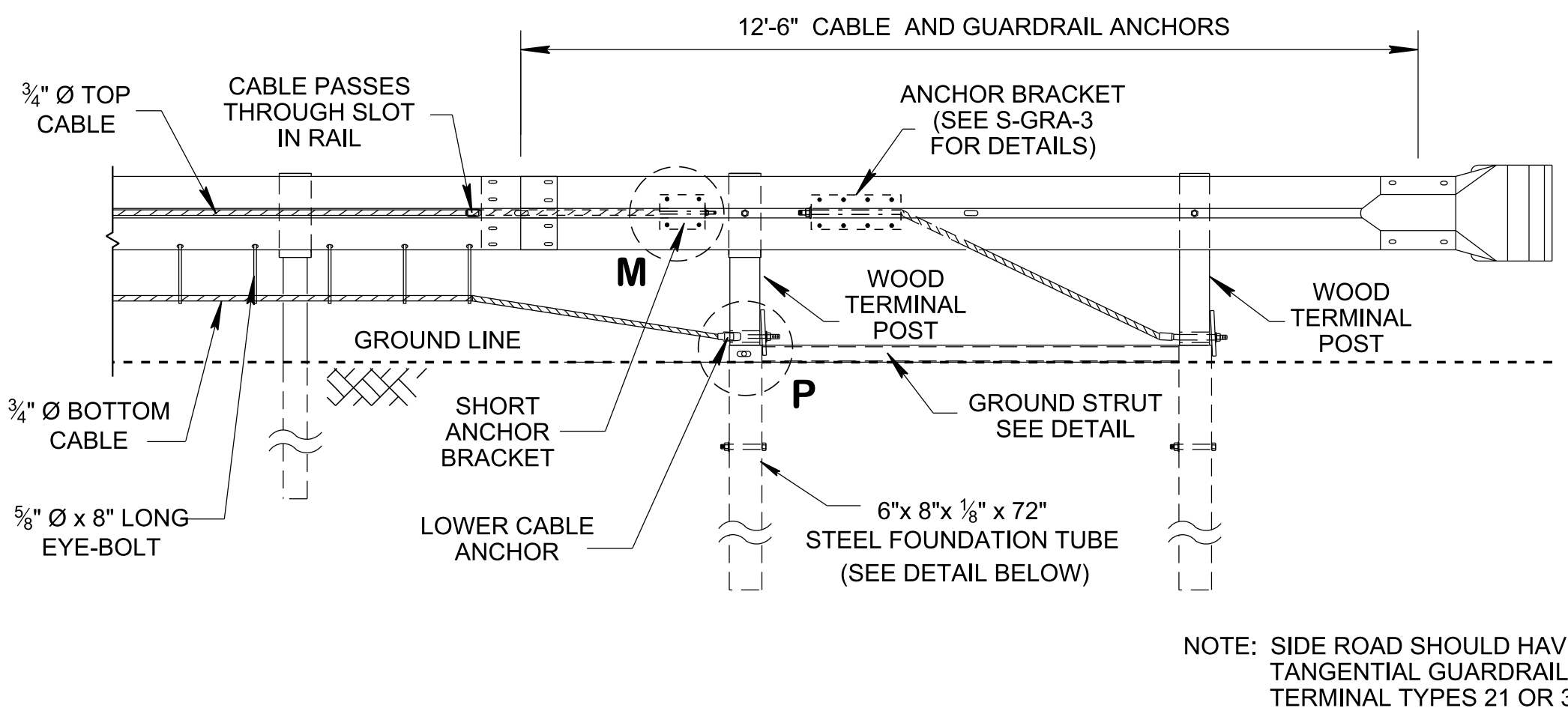
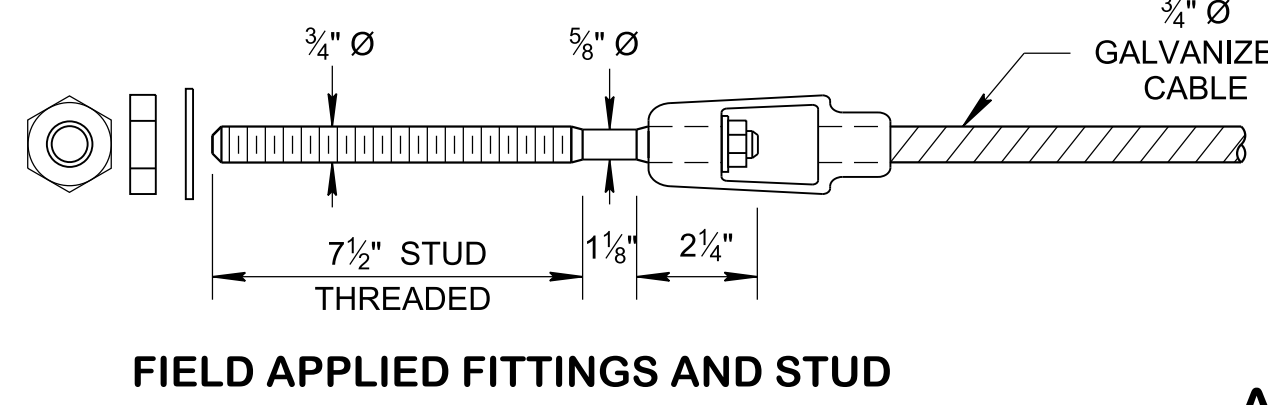
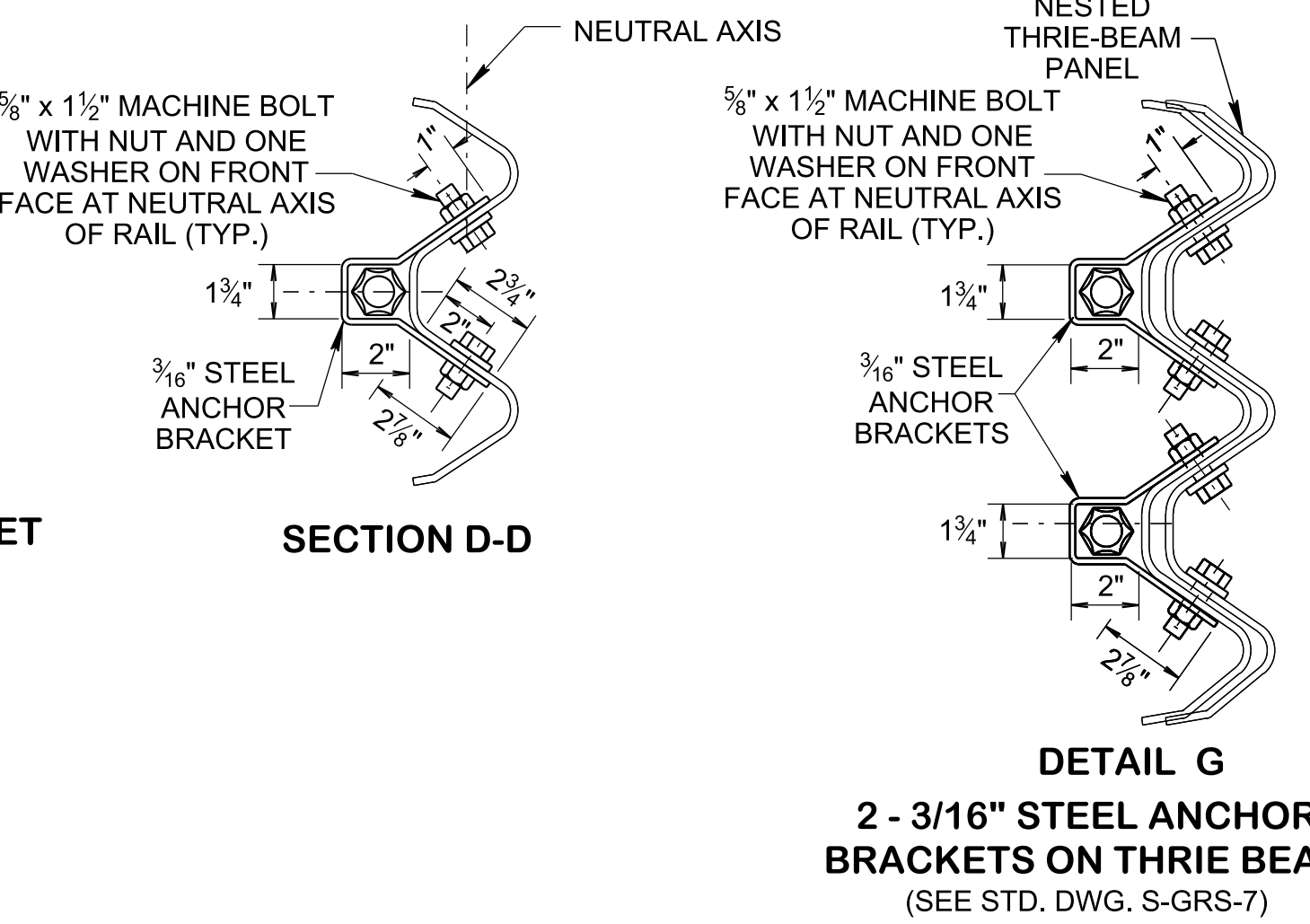
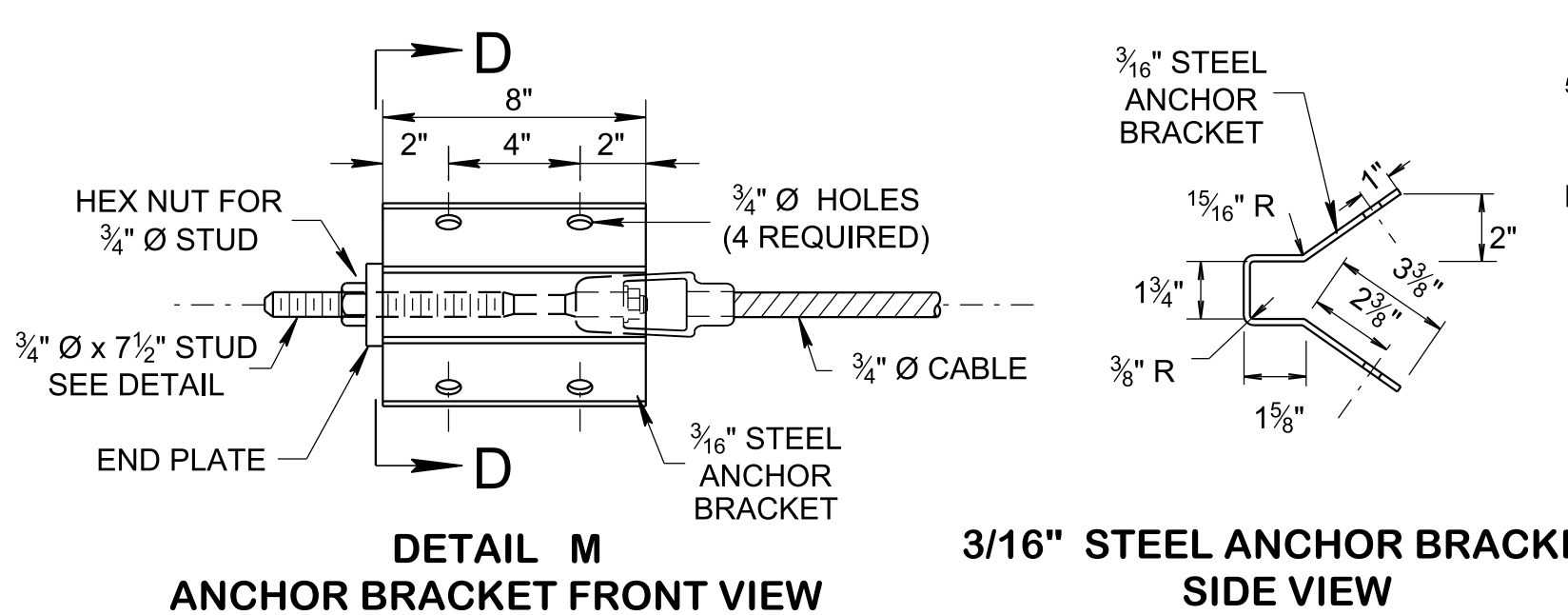
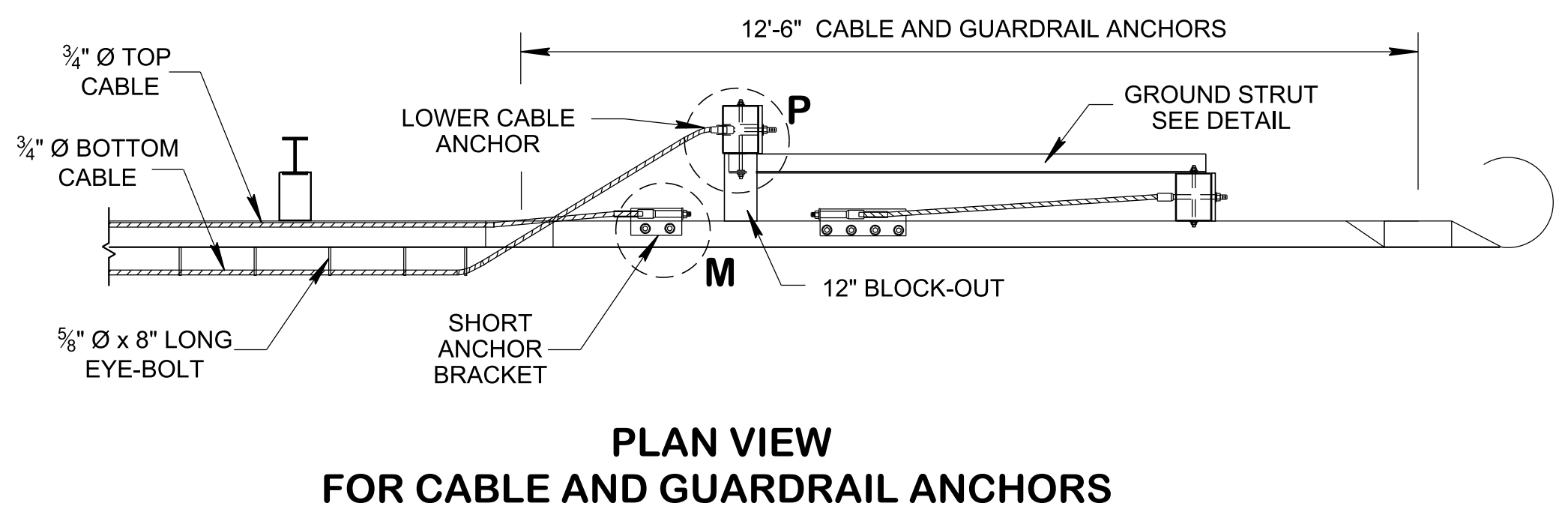
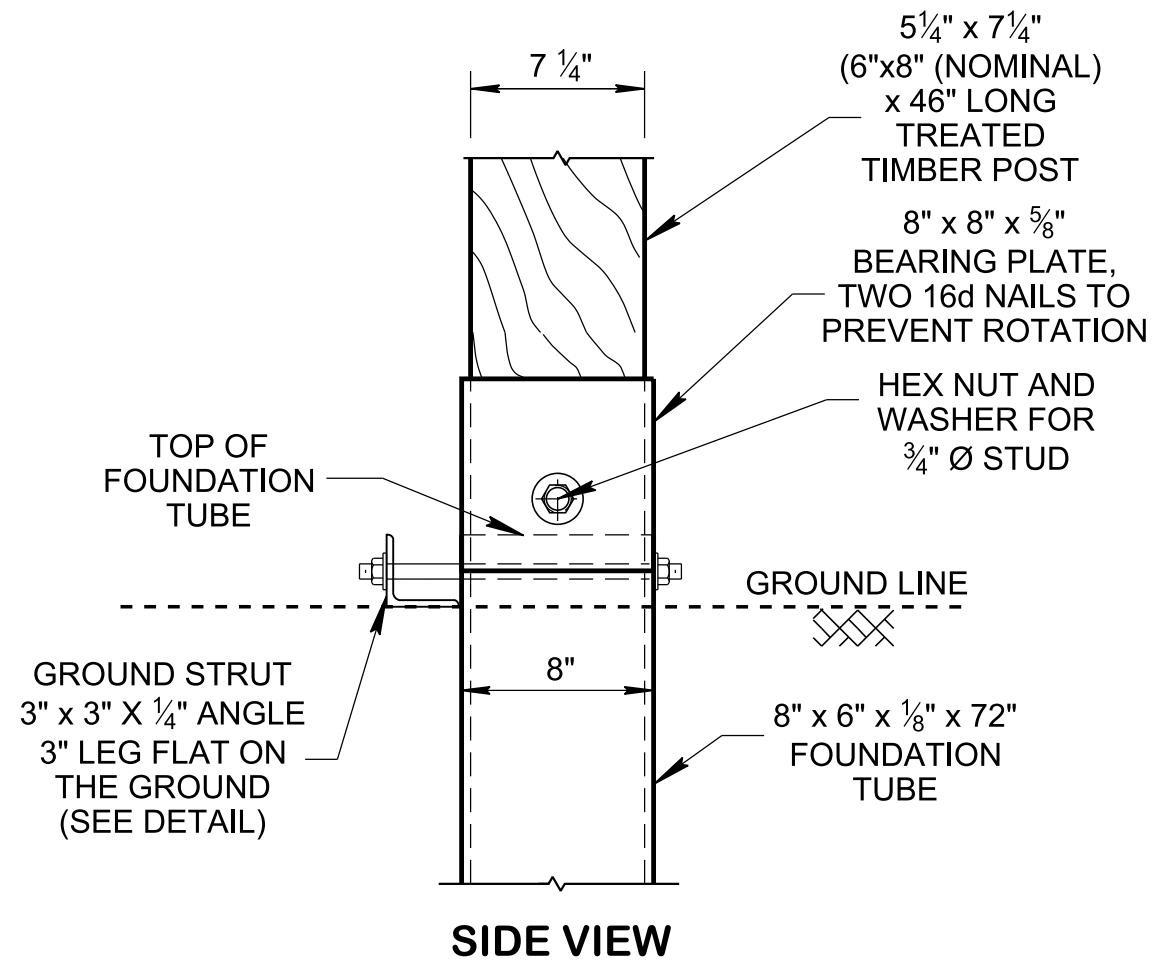
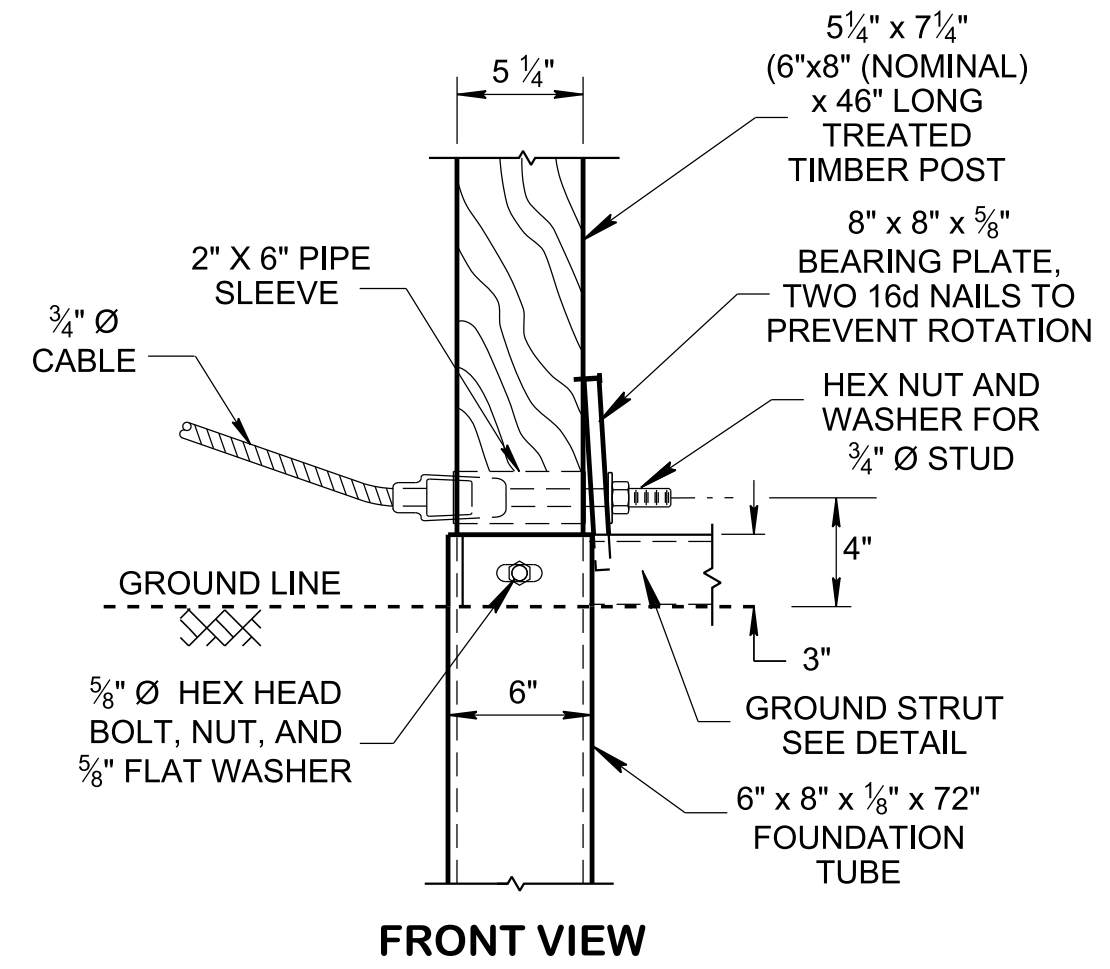


4/3/2024 10:36:03 AM P:\StandDraw\DESIGN STANDARDS\Standards Drawings\Standard Roadway Drawings - CURRENT\In Progress\10-107.00 Safety Design and Guardrails IP\107.06 Guardrail (Special Cases) IP\SGRS7A-20

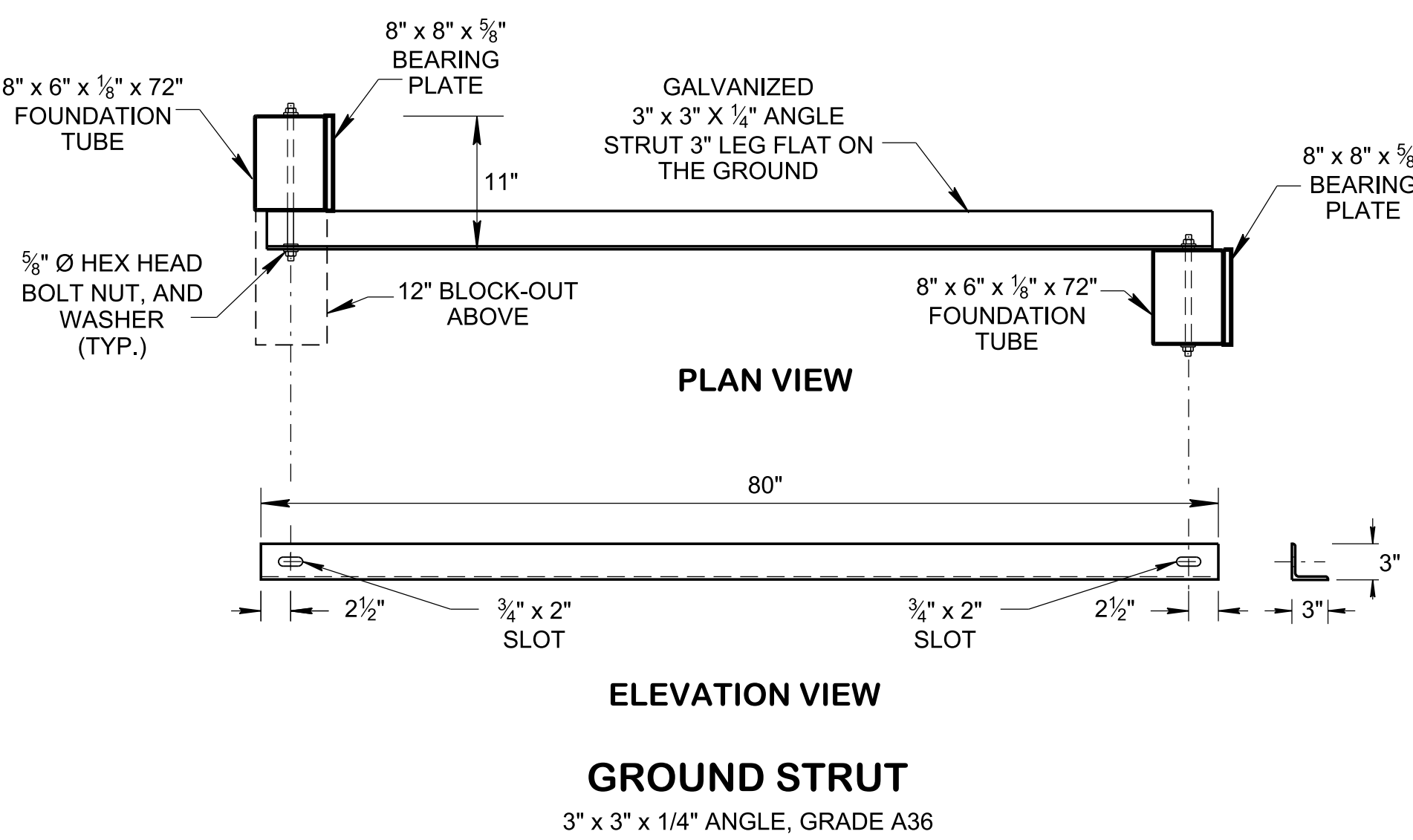
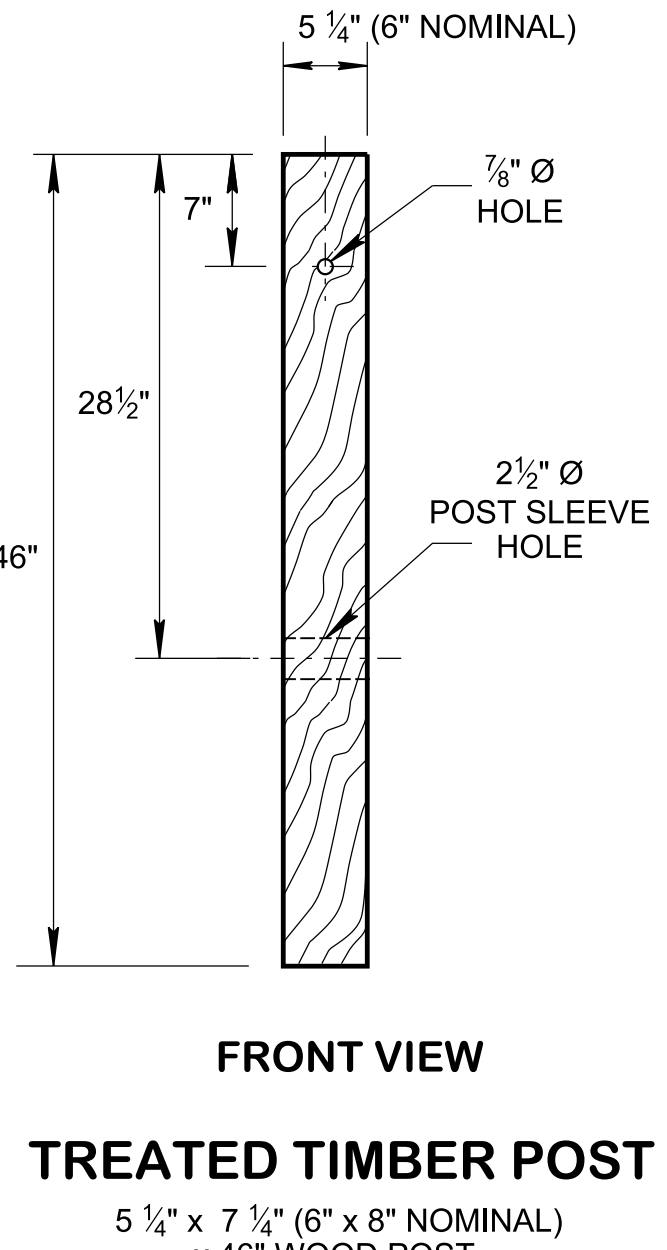
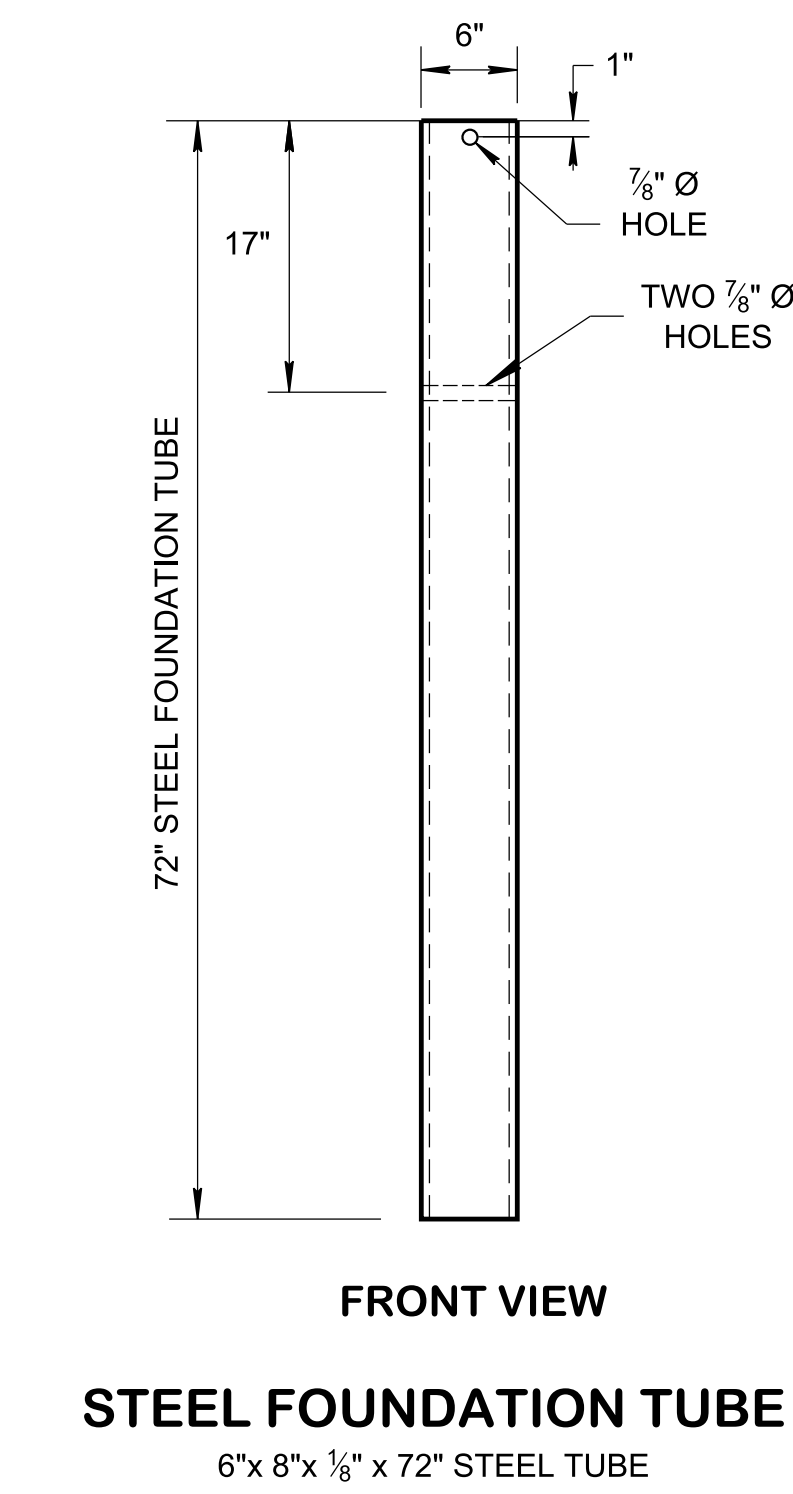
REV. 01-09-2024: REVISED ANCHOR BRACKET ASSEMBLY DETAILS, CABLE & GR ANCHOR DETAILS AND DETAIL P. ADDED STEEL FOUNDATION TUBE AND TIMBER POST DRAWINGS, AND GROUND STRUT DETAILS. MOVED DETAILS N AND Q TO S-GRS-7.



NOTE: SIDE ROAD SHOULD HAVE TANGENTIAL GUARDRAIL END TERMINAL TYPES 21 OR 38



**DETAIL P BEARING PLATE ASSEMBLY**



**GENERAL NOTES**

- (A) REFER TO STANDARD DRAWINGS S-GRS-7 FOR SRGS CONNECTION TO BRIDGE END, AND S-GRS-7B FOR SRGS EYE-BOLT SPACING DETAILS.
- (B) REFER TO STANDARD DRAWINGS S-GR31 SERIES FOR POSTS, RAIL, AND HARDWARE STANDARDS FOR CONSTRUCTION.
- (C) REFER TO STANDARD DRAWING S-GRA-3 FOR TYPE 13 GUARDRAIL ANCHOR DETAILS.
- (D) PAYMENT FOR FURNISHING AND INSTALLING CABLE AND GUARDRAIL ANCHORS, ANCHOR PLATE ASSEMBLIES, HARDWARE INCLUDING THREADED RODS, BOLTS, NUTS WASHERS AND ALL PLATES SHALL BE PAID UNDER SHORT-RADIUS GUARDRAIL SYSTEM ITEM NUMBER. SEE STANDARD DRAWING S-GRS-7 FOR ITEM NUMBERS.

STATE OF TENNESSEE  
 STANDARD DRAWING  
 DEPARTMENT OF TRANSPORTATION  
**SHORT-RADIUS GR SYSTEM (SRGS) ANCHOR DETAILS**