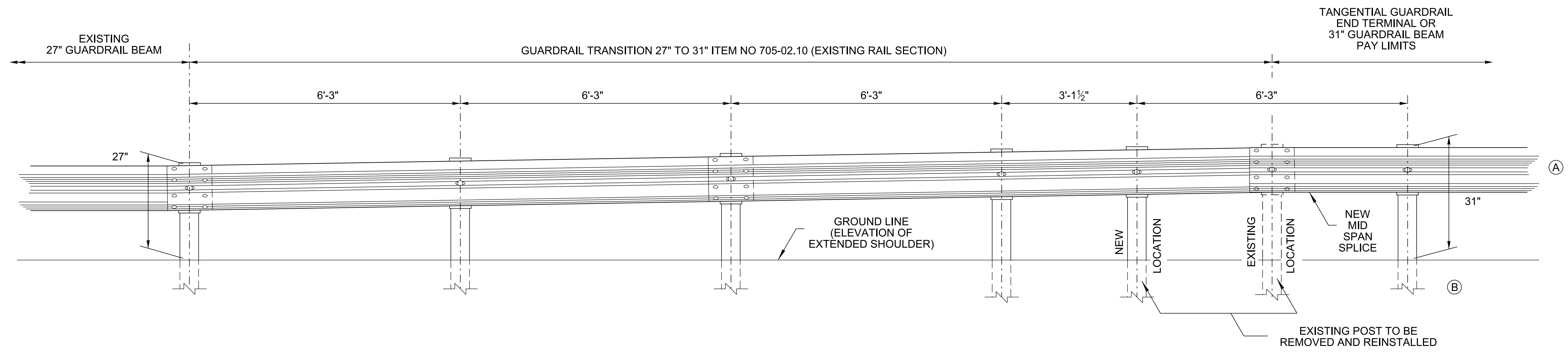


- REV. 04-12-16: ADDED PAY ITEM.
- REV. 03-16-17: CLARIFIED PAY ITEM LIMITS AT BOTH ENDS OF TRANSITION.
- REV. 06-28-19: REDREW SHEET.



ELEVATION VIEW - PROFILE TAPER

MAXIMUM HEIGHT ADJUSTMENT SHOULD BE LIMITED TO 1" PER 6'-3" GUARDRAIL SECTION. MINIMUM HEIGHT TRANSITION SECTION SHOWN.

■ MINOR REVISION -- FHWA APPROVAL NOT REQUIRED

- GENERAL NOTES**
- (A) THIS GUARDRAIL HEIGHT TRANSITION DETAIL MAY BE USED FOR GUARDRAIL REPAIRS, MAINTENANCE, AND BRIDGE REPAIR PROJECTS.
 - (B) POST NO. 8 OR POST NO. 4 IF USED FOR TRANSITION TO GUARDRAIL END TERMINAL (SEE S-GRT-2, S-GRT-3).
 - (C) WHERE FEASIBLE ADJUST THE EXISTING GUARDRAIL HEIGHT TO 28" MIN.

STATE OF TENNESSEE
STANDARD DRAWING
DEPARTMENT OF TRANSPORTATION

**SPECIAL CASE
GUARDRAIL
HEIGHT
TRANSITION
DETAIL**

8/26/2019 1:52:42 PM C:\Users\jj005471\Desktop\th\SGRS4-20190628.dgn