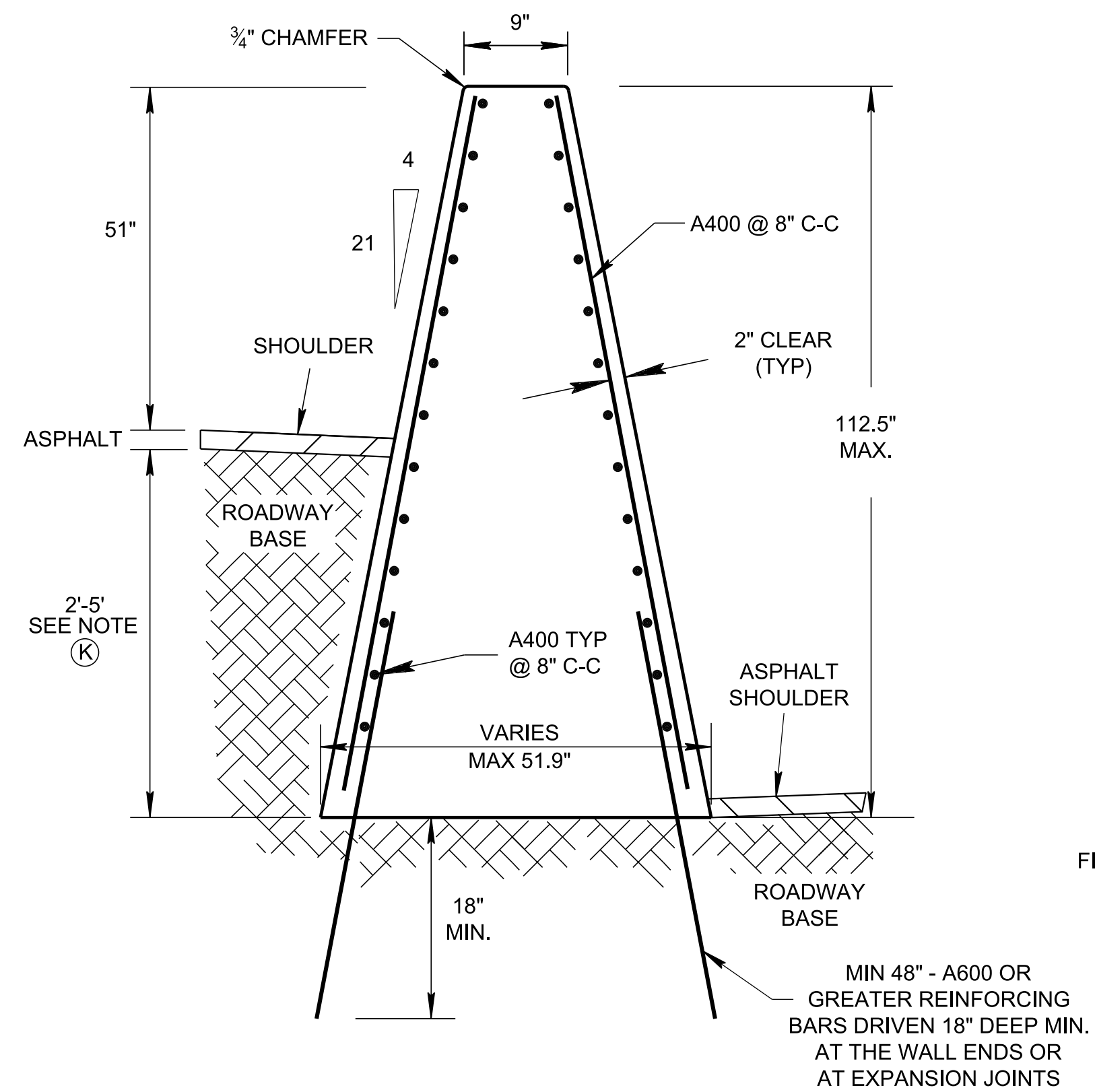
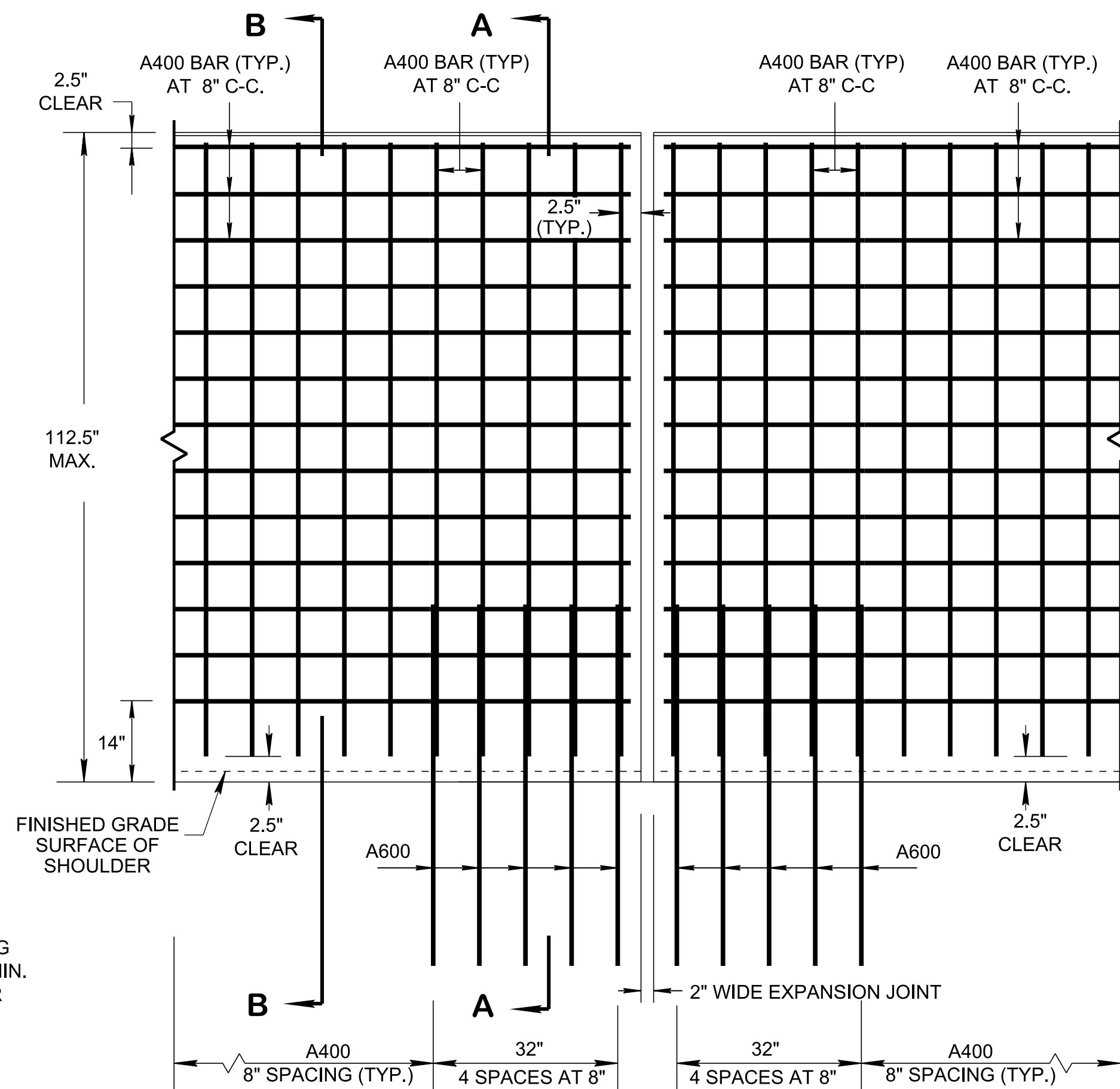


10/28/2021 2:46:03 PM P:\StandDraw\DESIGN STANDARDS\Standards Drawings Library\Standard Roadway Drawings - CURRENT\In Progress\10-106.00 Safety Design and Guardrails IP\106.09 Concrete Median Barriers IP\SSMB9-20



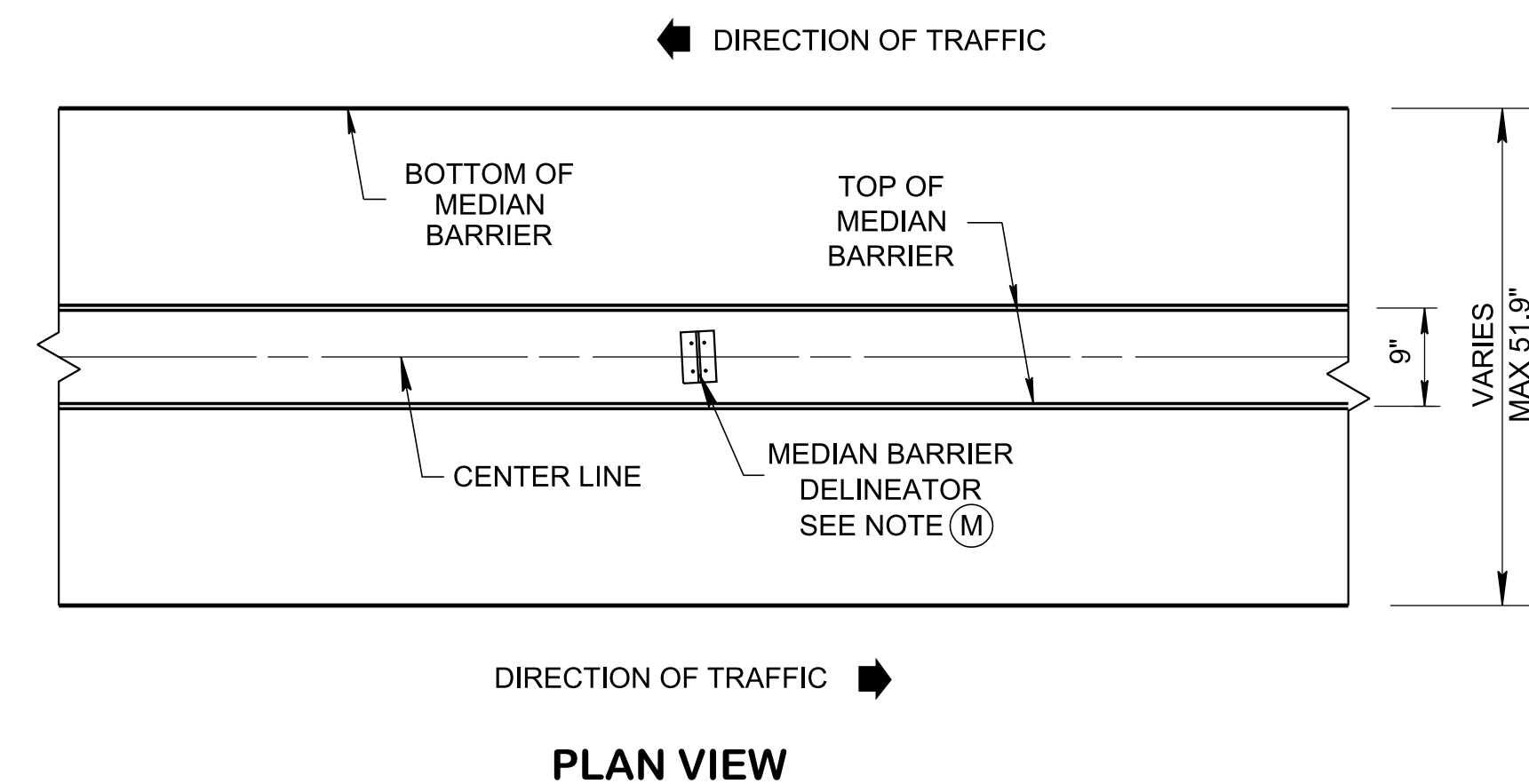
SECTION A-A
TYPICAL AT THE WALL ENDS
OR AT EXPANSION JOINTS



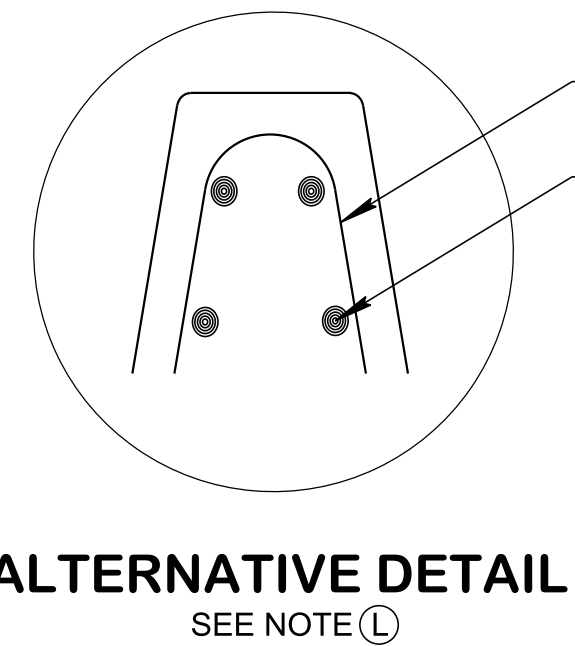
ELEVATION VIEW
ANCHORING REINFORCEMENT DETAIL

NOTE: ALL A400 AND A600 REINFORCING STEEL BARS ARE TO BE EPOXY COATED MEETING ALL REQUIREMENTS OF ASTM D3963.

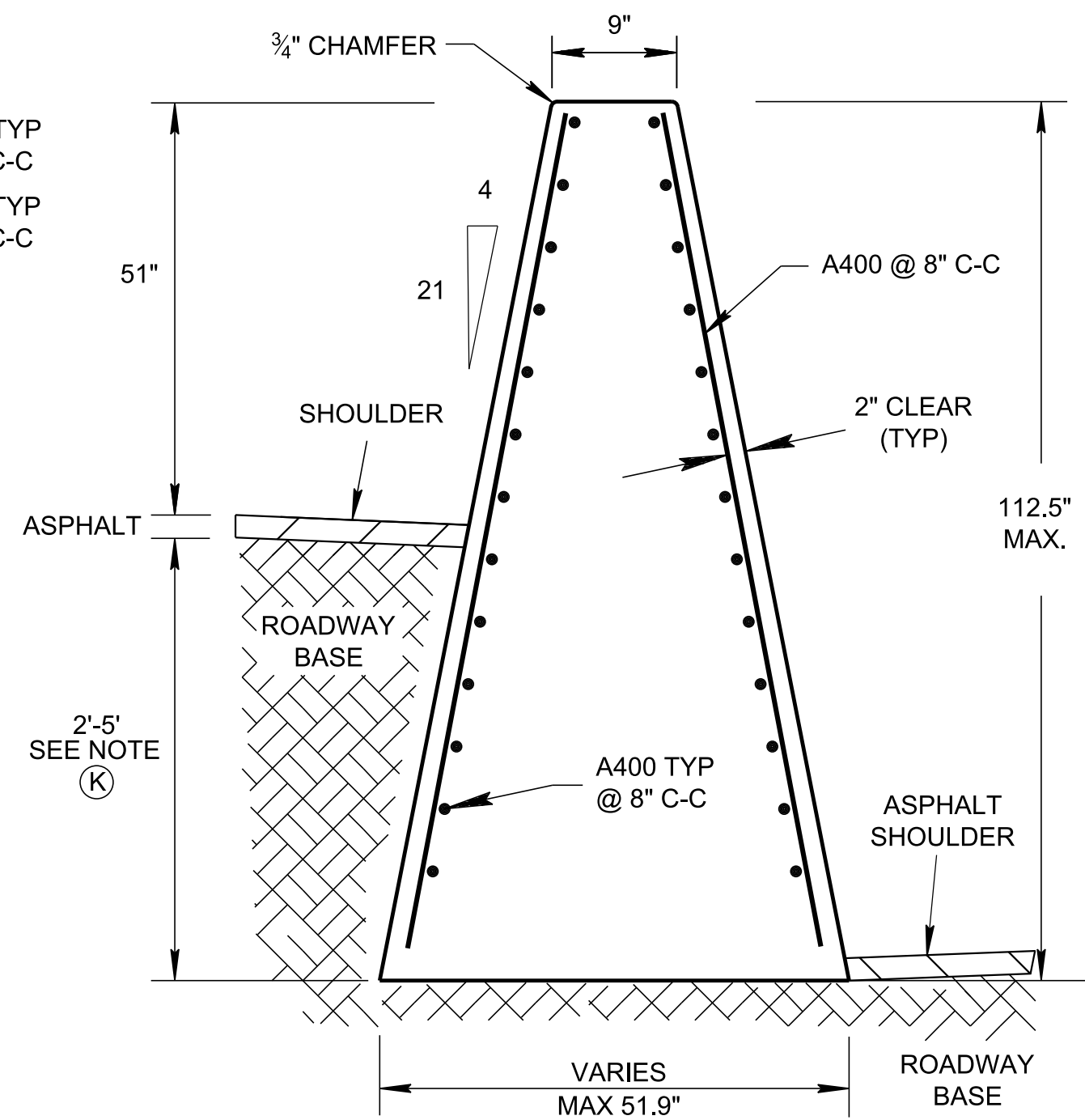
REINFORCING STEEL LEGEND	
VARIABLE	A400
48"	A600



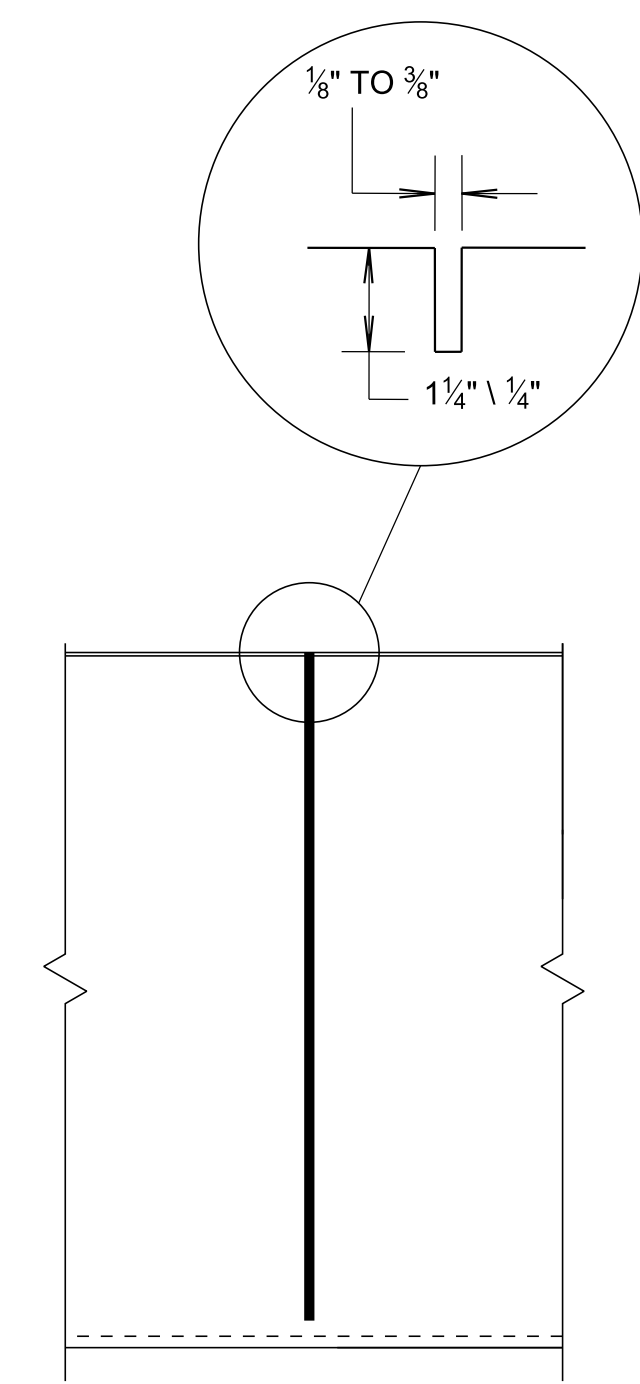
PLAN VIEW



ALTERNATIVE DETAIL
SEE NOTE (L)



SECTION B-B
TYPICAL AT THE INTERMEDIATE WALL



CONTRACTION JOINT DETAIL
SEE NOTES (B) AND (C)

GENERAL NOTES

- (A) CONCRETE BARRIER WALL SHALL BE CONSTRUCTED IN ACCORDANCE WITH STANDARD SPECIFICATIONS FOR ROAD AND BRIDGE CONSTRUCTION, SECTION 711 AND/OR CURRENT SPECIAL PROVISIONS. MINIMUM INSTALLATION REQUIREMENT OF WALL SECTION IS 60'.
- (B) IF SAWED CONTRACTION JOINTS ARE USED, THE JOINTS MUST BE SAWED WITHIN FOUR (4) HOURS AFTER THE CONCRETE IS PLACED.
- (C) THE CONTRACTION JOINTS ARE TO BE SPACED AT 20 TO 25 FOOT INTERVALS WHEN CONSTRUCTED ON ASPHALT PAVEMENT. WHEN THE CONCRETE BARRIER WALL IS ATTACHED TO CONCRETE PAVEMENT THE CONTRACTION JOINTS WILL CORRESPOND TO THE JOINTS IN THE CONCRETE PAVEMENT. THE COST OF MATERIAL AND LABOR FOR THE JOINT INSTALLATION SHALL BE INCLUDED IN THE BID PRICE FOR CONCRETE MEDIAN BARRIER.
- (D) THE CONCRETE BARRIER WALL SHALL BE GIVEN AN APPLIED TEXTURE FINISH. THE COLOR OF THE FINISH SHALL BE WHITE, FEDERAL SPECIFICATION NO. 37886. THE COST OF MATERIALS AND LABOR FOR THE TEXTURE FINISH SHALL BE INCLUDED IN THE BID PRICE FOR CONCRETE MEDIAN BARRIER.
- (E) THE TWO (2) INCH OPEN EXPANSION JOINTS SHALL BE PLACED AT A MAXIMUM SPACING NOT TO EXCEED 300 FEET. IF FIXED OBJECTS SUCH AS BRIDGE PIERS, BRIDGE ENDS, OVERHEAD SIGN SUPPORTS, OR OTHER FEATURES PROJECTING THROUGH, INTO OR AGAINST THE BARRIER EXIST THAT REQUIRE TWO INCH EXPANSION JOINTS, THEN THE DISTANCE BETWEEN THE EXPANSION JOINTS IS TO BE REDUCED IN ORDER TO ALLOW AN EQUAL DISTANCE BETWEEN JOINTS THAT IS LESS THAN 300 FEET. ALL ADDITIONAL STEEL REQUIRED AT EXPANSION JOINTS TO BE EPOXY COATED REINFORCING STEEL. THE COST OF MATERIAL AND LABOR FOR THE JOINT INSTALLATION SHALL BE INCLUDED IN THE BID PRICE FOR CONCRETE MEDIAN BARRIER.
- (F) CHAMFER TOP AND END EDGES 3/4 INCH.
- (G) BAR SPLICES FOR ROADWAY BARRIER SHALL BE A MINIMUM OF 24 TIMES THE NOMINAL DIAMETER OF THE BAR.
- (H) ANY METHOD DEvised BY THE CONTRACTOR AND APPROVED BY THE ENGINEER THAT WILL ASSURE THE LONGITUDINAL ROADWAY REINFORCING STEEL WILL BE FIXED AGAINST MOVEMENT AND POSITIONED ± 1/2 INCH AS DIMENSIONED WHEN TIED TO THE TRANSVERSE ROADWAY REINFORCING STEEL WILL BE SATISFACTORY.
- (I) PAYMENT WILL BE MADE UNDER ITEM NO. 711-05.78, GRADE SEPARATED SINGLE SLOPE MEDIAN WALL PER LINEAR FOOT.
- (J) MIN. SAFETY PERFORMANCE OF 112.5" SINGLE SLOPE WALL IS ACCEPTABLE ACCORDING TO THE TL-4 EVALUATION CRITERIA SPECIFIED IN MASH AS REPORT 405160-3335.
- (K) IF GRADE SEPARATION IS LESS THAN 2', USE STANDARD 51" MEDIAN BARRIER (S-SSMB-2)
- (L) A SINGLE H BAR MAY BE SUBSTITUTED FOR THE TWO A400 BARS AS SHOWN.
- (M) REFER TO STANDARD DRAWING T-M-18A FOR MEDIAN BARRIER DELINEATOR DETAILS AND NOTES. THE COST OF FURNISHING AND INSTALLING MEDIAN BARRIER DELINEATORS SHALL BE INCLUDED WITH THE BID PRICE FOR CONCRETE MEDIAN BARRIERS.

STATE OF TENNESSEE
STANDARD DRAWING
DEPARTMENT OF TRANSPORTATION

SINGLE SLOPE BARRIER WALL FOR GRADE SEPARATED MEDIAN

REV. 7-16-13: ADDED NOTES (K) AND (L) AND ADDED ALTERNATIVE.
REV. 05-01-20: REDREW SHEET.
REV. 06-15-21: REVISED SECTIONS AND REDREW THE REINFORCEMENT DETAIL. REMOVED DELINEATOR MOUNTING DETAIL AND NOTES. ADDED PLAN AND GENERAL NOTE (M). REVISED GENERAL NOTE (A).
REV. 10-29-2021: REVISED DELINEATOR STANDARD DRAWING NUMBER ON GENERAL NOTE (M).