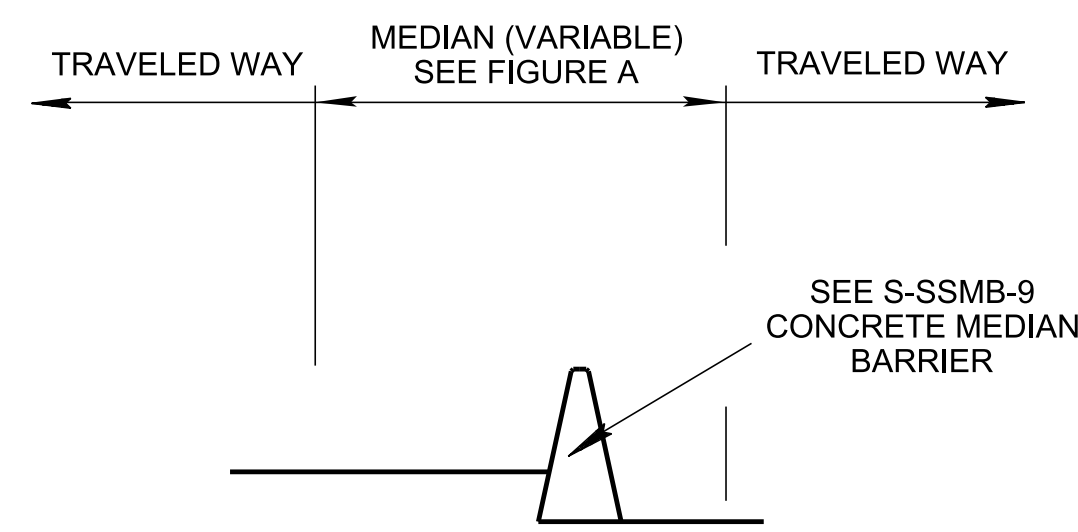
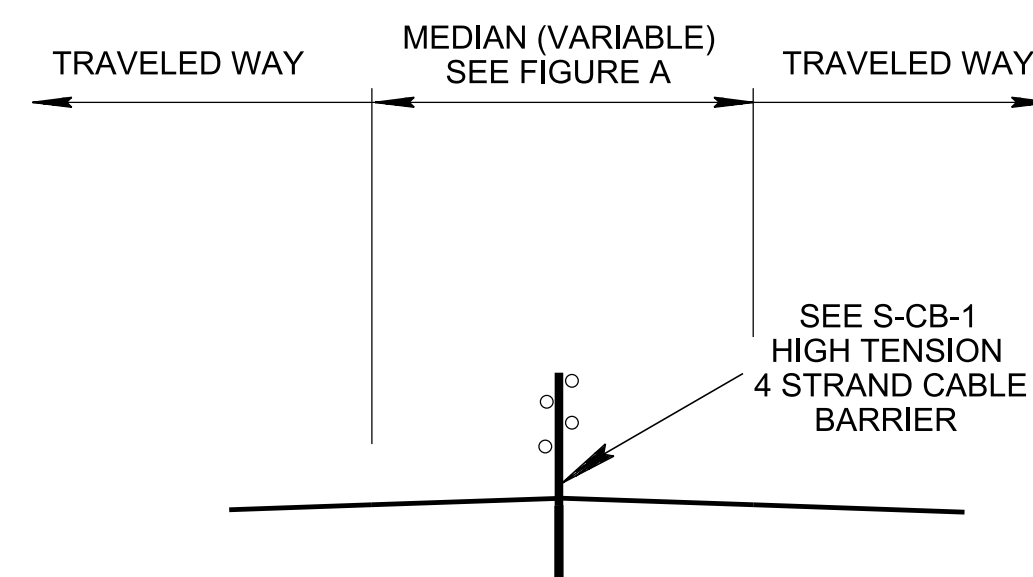


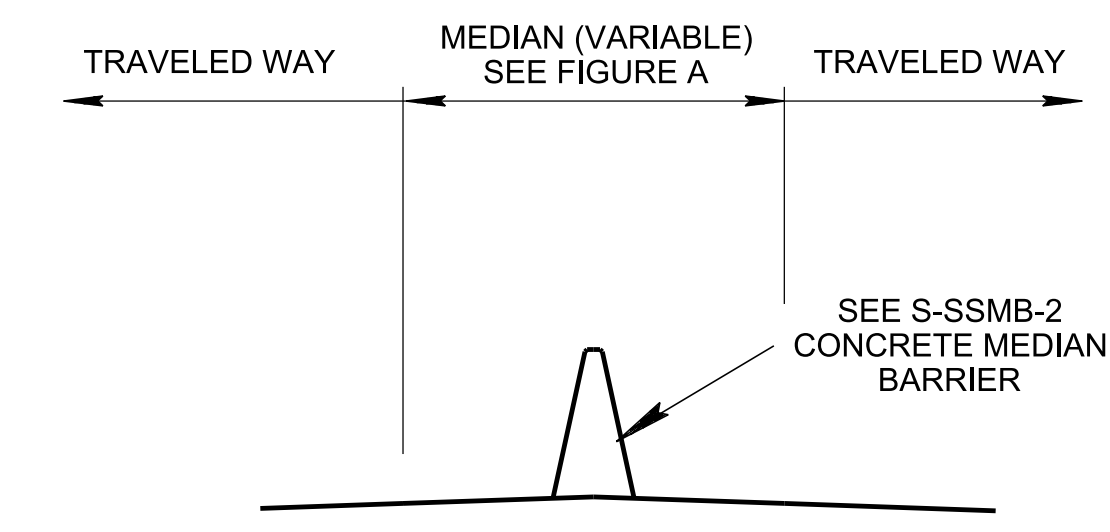
TL-3



TL-4
(6' OR LESS GRADE DIFFERENCE)

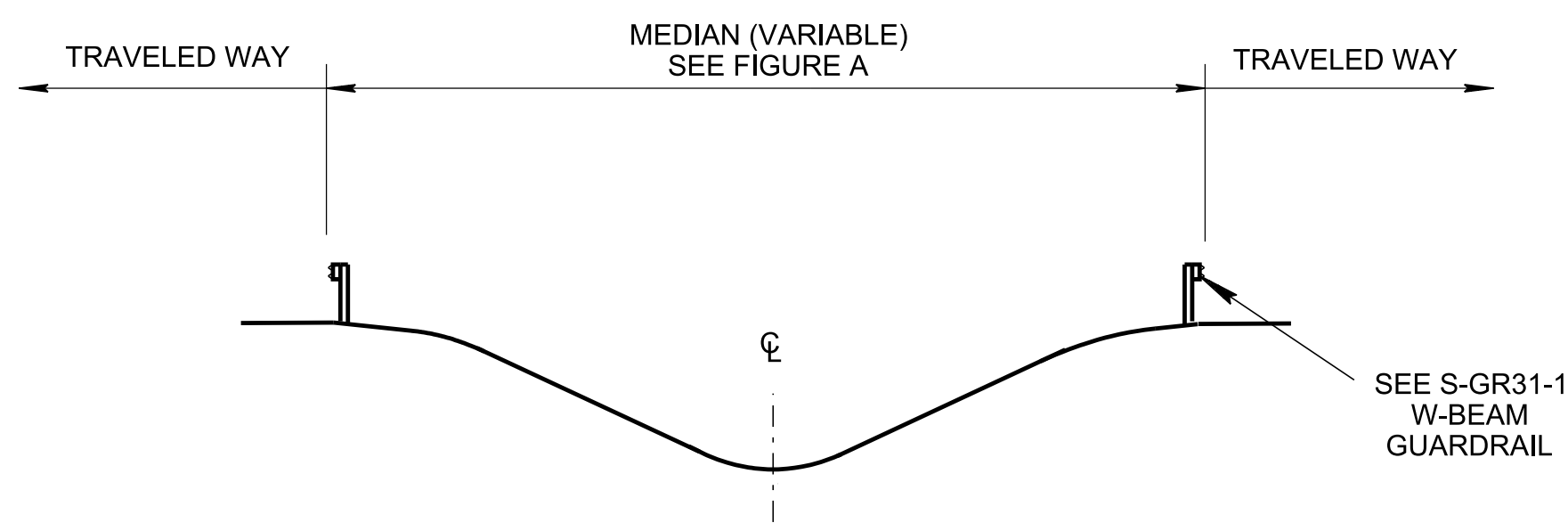


TL-4
(16' OR LESS MEDIAN)

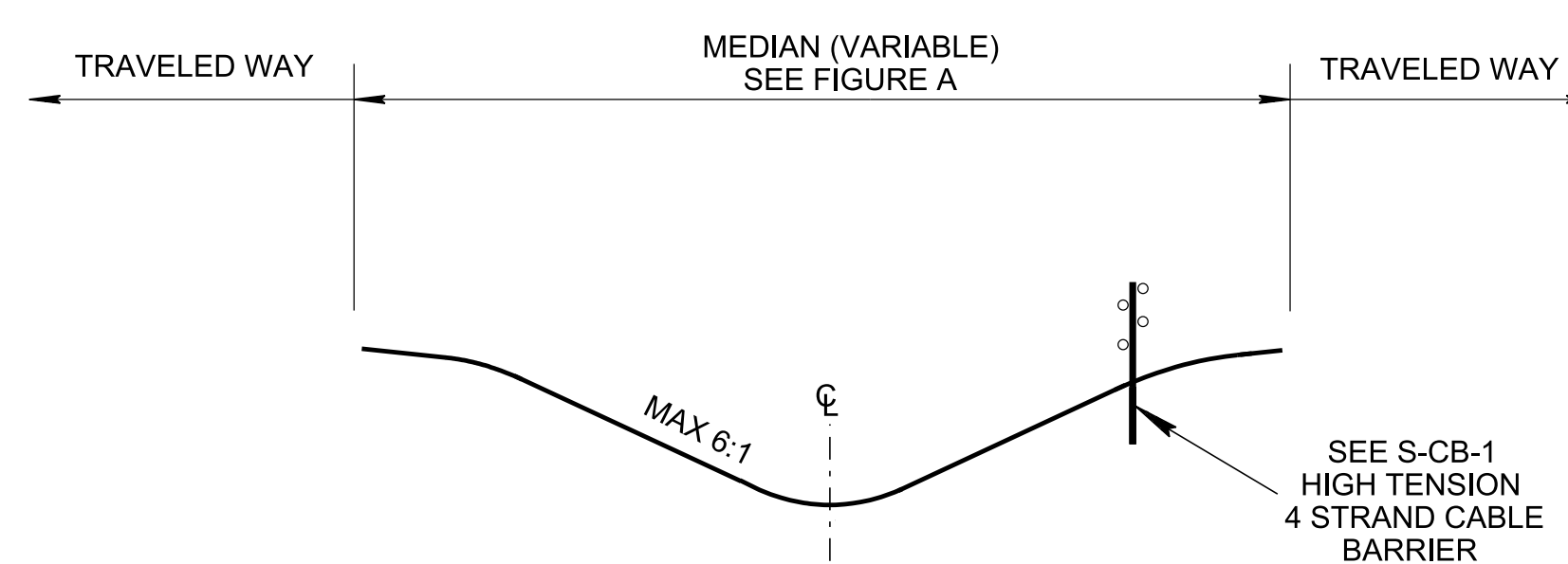


TL-5

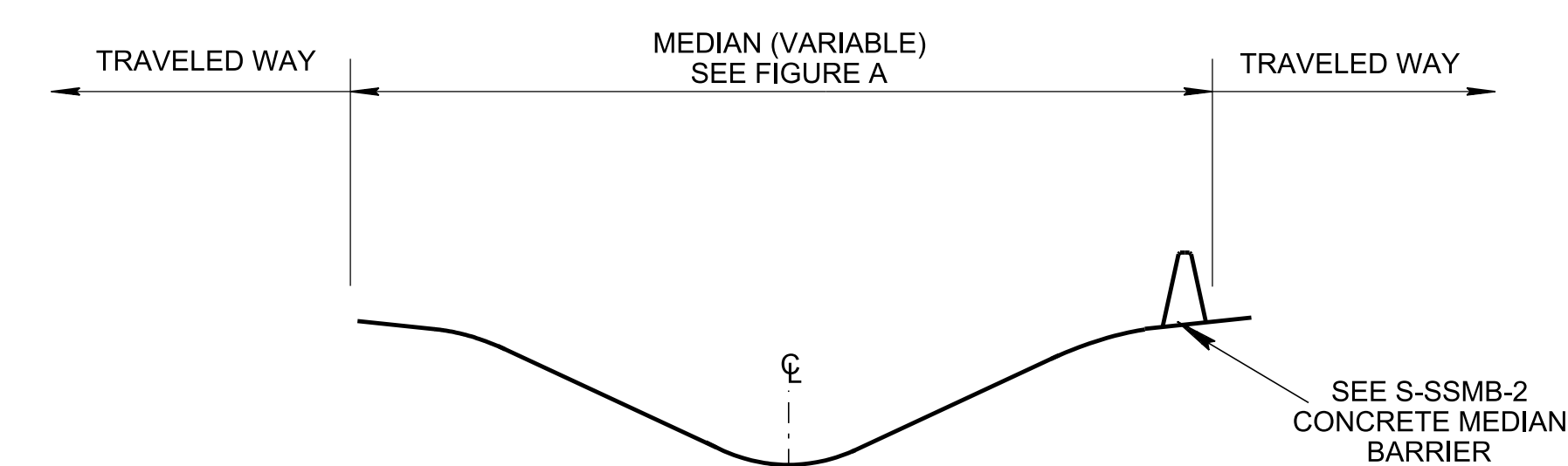
**NARROW MEDIANS
(28' OR LESS)**



TL-3



TL-4



TL-5

**DEPRESSED MEDIANS
(28' TO 64')**

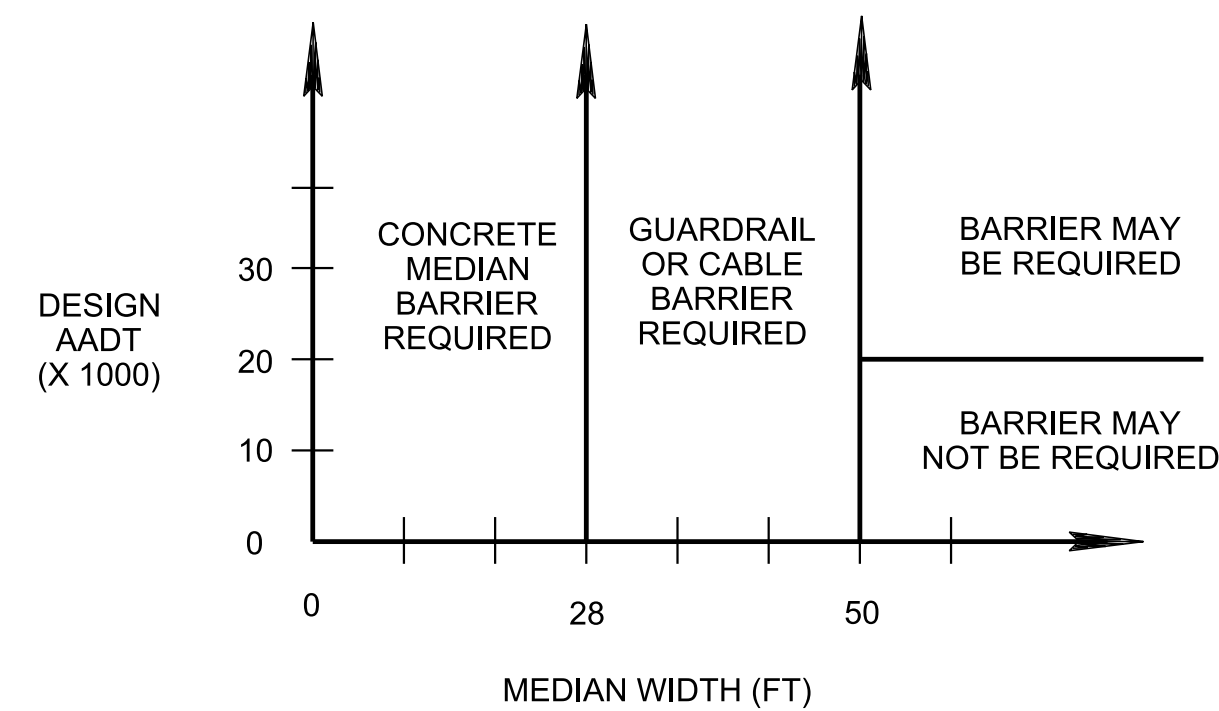


FIGURE A

THE NEED OF BARRIER DETERMINATION GUIDE FOR MEDIAN BARRIER INSTALLATION

FIGURE A IS TO BE USED AS A GUIDE, BUT IS NOT A SUBSTITUTE FOR GOOD ENGINEERING JUDGEMENT. OTHER CONSIDERATIONS, SUCH AS CRASH HISTORY, MAY BE USED TO JUSTIFY BARRIER INSTALLATION. THIS STANDARD DOES NOT APPLY TO FREEWAYS WITH INDEPENDENT ROADWAYS (RD11-TS-5A)

GENERAL NOTES FOR MEDIAN DIVIDER GUARDRAIL

- (A) TO BE USED IN MEDIANS BETWEEN 10 TO 32' WIDE ONLY WHERE CONCRETE MEDIAN BARRIER CANNOT BE INSTALLED.
- (B) SEE S-GR31-1 FOR DETAILS NOT SHOWN.
- (C) THE POST SHALL NOT BE PLACED IN ASPHALT. IF NECESSARY PAVED MEDIAN ASPHALT SHALL BE REMOVED AT POST LOCATIONS.
- (D) FOR CONNECTION TO CONCRETE MEDIAN BARRIER SEE S-SSMB-6 SERIES.
- (E) W-BEAM MEDIAN BARRIER SYSTEM HAS BEEN EVALUATED AND DOCUMENTED ON THE TTL TEST REPORT 9-1002-12-8 (2016).
- (F) USE ONLY PRODUCTS LISTED ON THE TDOT QPL.
- (G) REFER TO REFERENCED STANDARD DRAWINGS FOR PAY ITEMS.