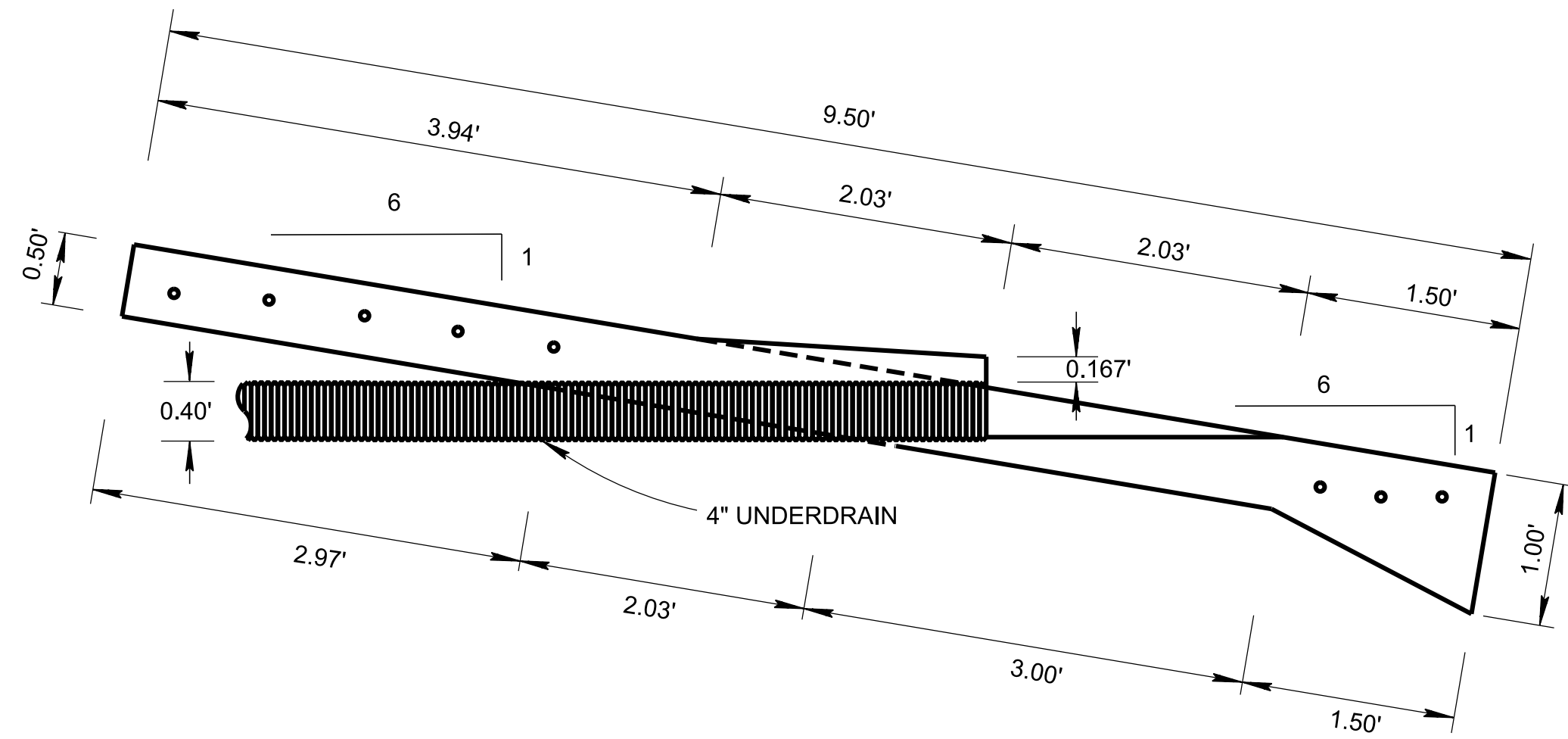


# LATERAL UNDERDRAIN ENDWALL DETAIL FOR 6:1 SLOPES

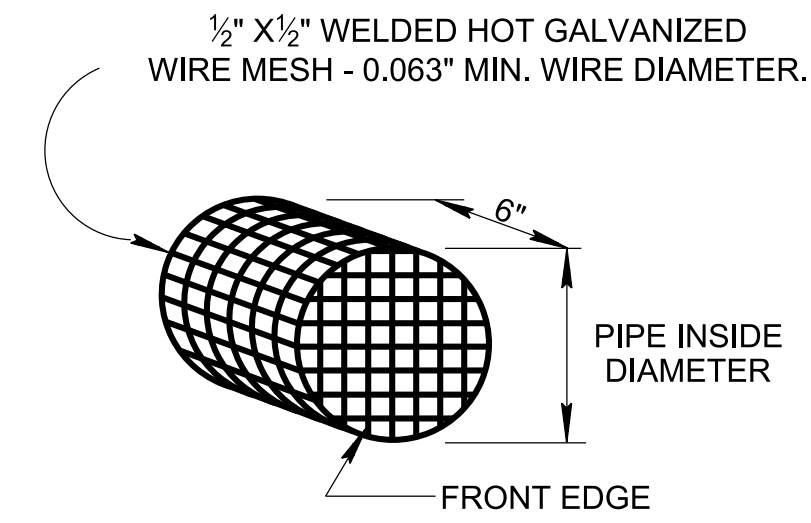
(ITEM NO. 710 - 06.15)

REV. 12-18-94: CHANGED DRAWING NO. FROM RD-UD-8 TO RD-UD-9. ADDED UNDERDRAIN PIPE TO LATERAL DETAIL. CHANGED DESIGNATION OF THE A408 AND A409 BARS TO A410 AND A411. CHANGED A400 SERIES TABLE.

REV 06-28-19: REDREW SHEET.

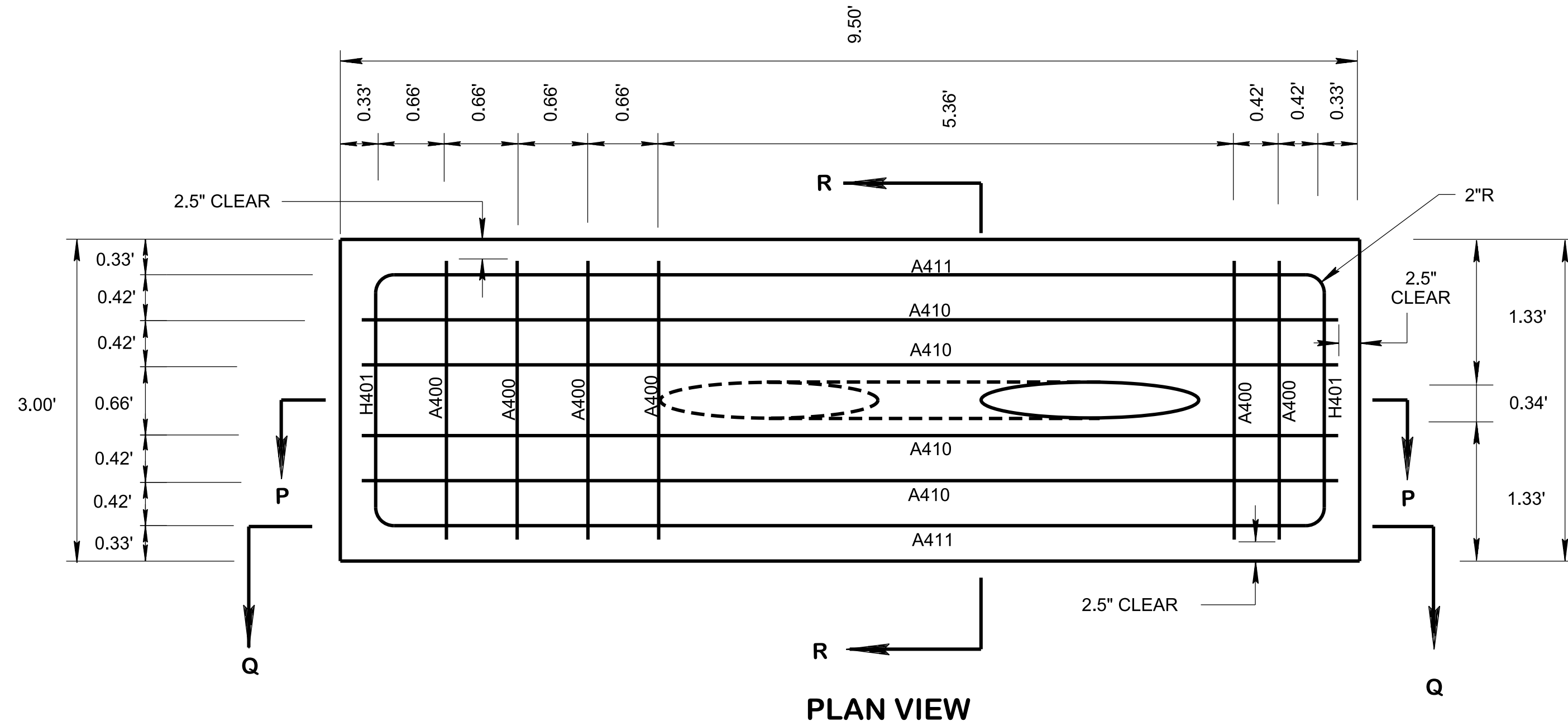


SECTION P - P

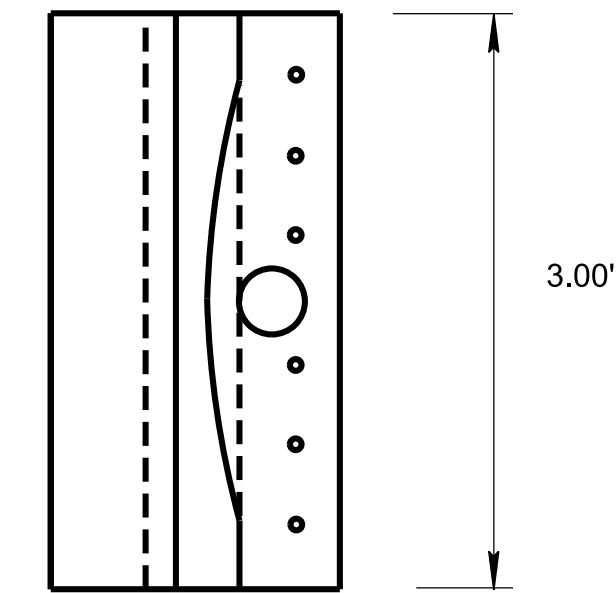


DETAIL OF RODENT SCREEN

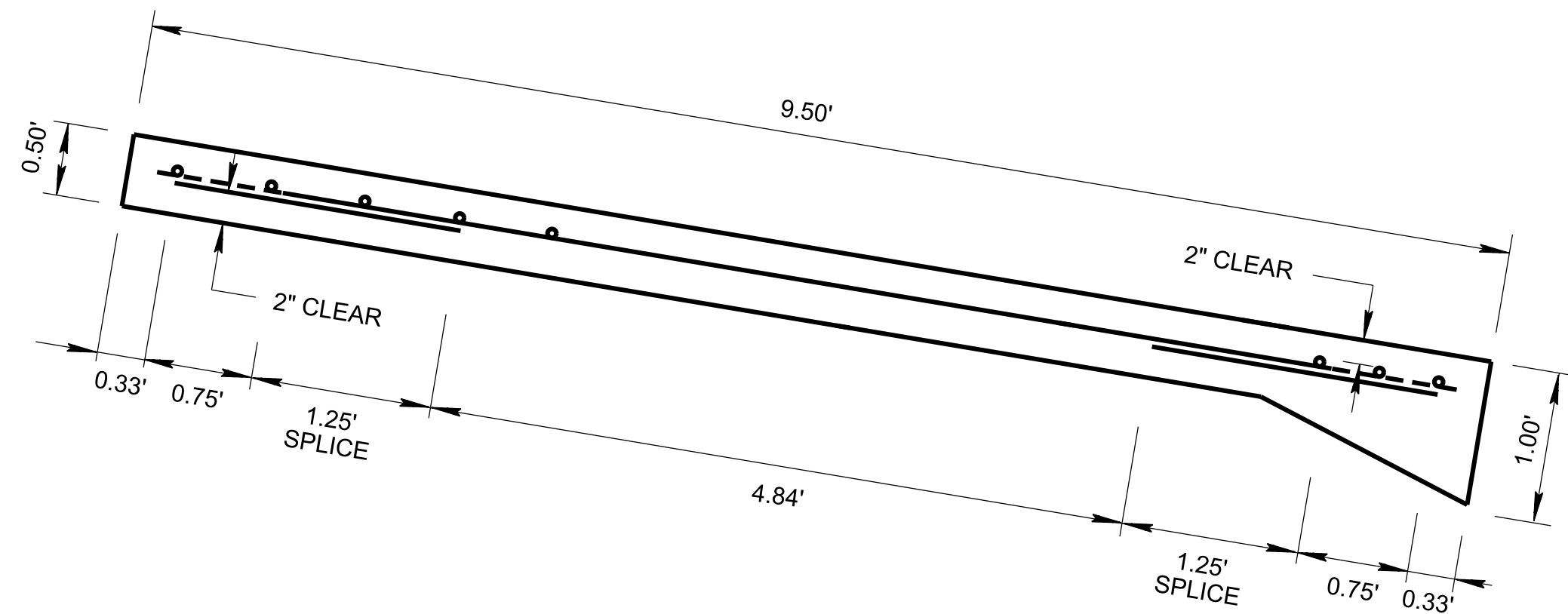
- ① INSTALL FRONT EDGE OF RODENT SCREEN 6 INCHES UP INTO PIPE.
- ② TO BE INCLUDED IN THE PRICE BID FOR THE LATERAL ENDWALL.



PLAN VIEW

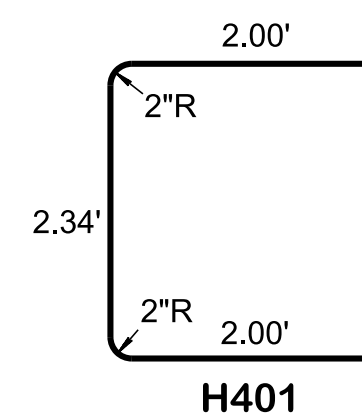


SECTION R - R



SECTION Q - Q

A400 SERIES  
(SEE TABLE FOR LENGTH)



STEEL REINFORCING BAR TABLE

A400 SERIES	
CODE	LENGTH
A400	2.58'
A401	3.58'
A402	4.33'
A403	2.25'
A404	5.08'
A405	3.00'
A406	6.33'
A407	4.59'
A408	7.83'
A409	6.09'
A410	9.08'
A411	7.34'

## MATERIAL SPECIFICATIONS

- (A) FOR SPECIFICATIONS SEE "STANDARD SPECIFICATION FOR ROAD AND BRIDGE CONSTRUCTION" OF THE TENNESSEE DEPARTMENT OF TRANSPORTATION.
- (B) ALL CONCRETE TO BE CLASS "A" CONCRETE  $F_C = 3,000$  POUNDS PER SQUARE INCH AT 28 DAYS.
- (C) ALL REINFORCING STEEL TO MEET ASTM A615 SPECIFICATION,  $F_Y = 60,000$  POUNDS PER SQUARE INCH.

MINOR REVISION -- FHWA APPROVAL NOT REQUIRED

STATE OF TENNESSEE  
STANDARD DRAWING  
DEPARTMENT OF TRANSPORTATION

LATERAL UNDERDRAIN ENDWALL DETAIL FOR 6:1 SLOPES