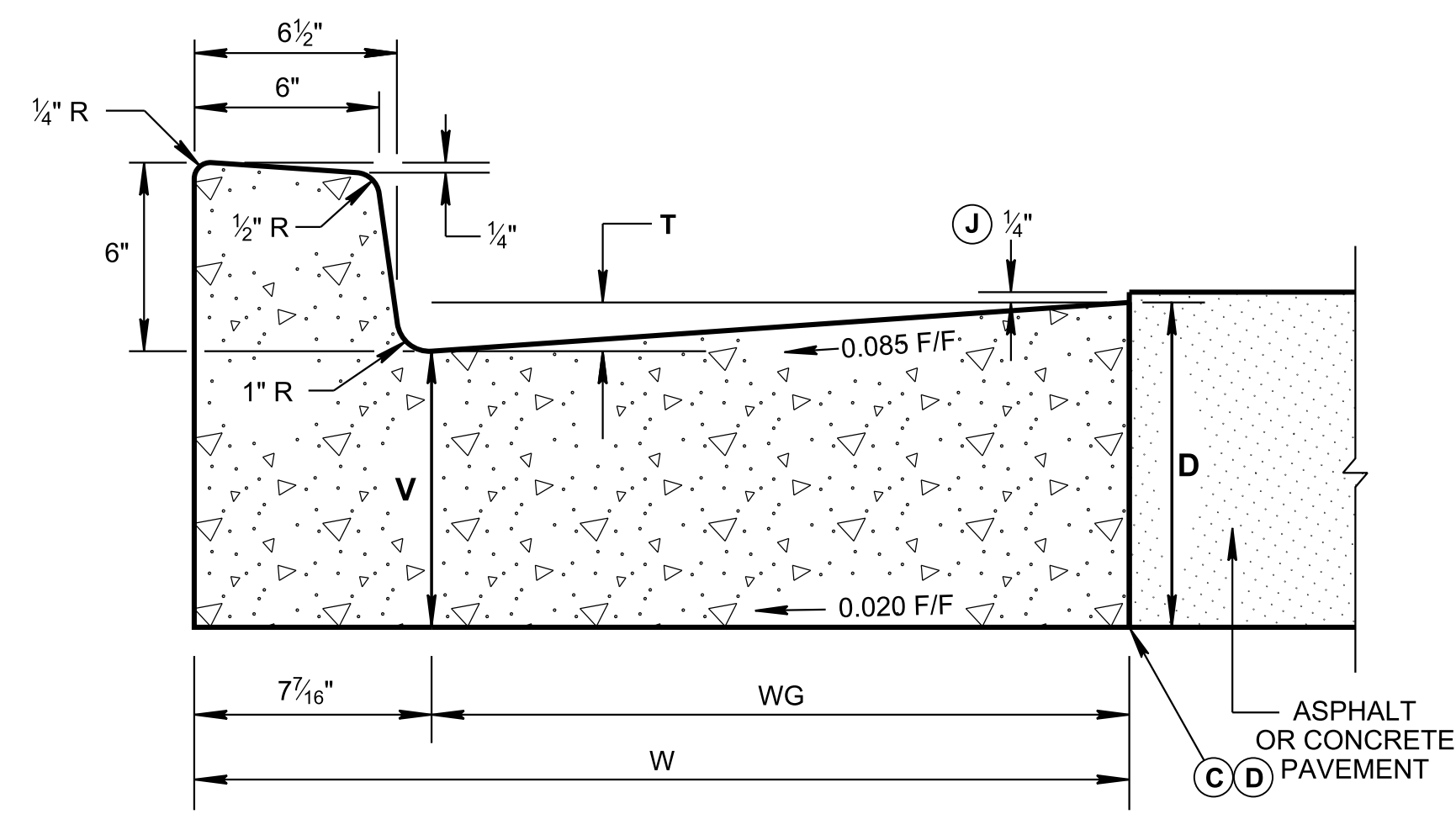


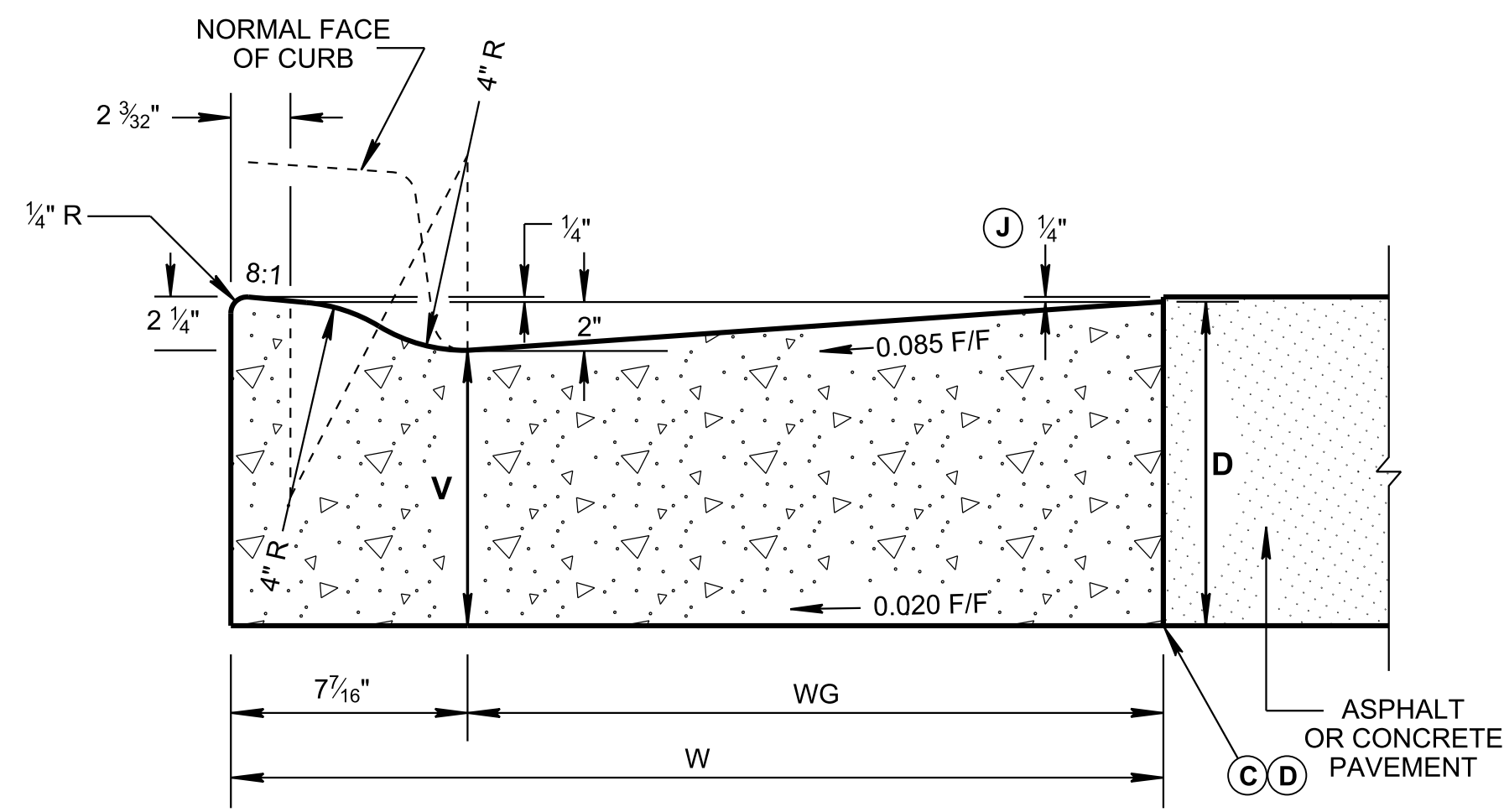
11/26/2019 9:58:37 AM P:\StandDraw\DESIGN STANDARDS\Standards Drawings\Standard Roadway Drawings - CURRENT\In Progress\10-104.00 Roadway, Pavement Appurtenances and Fence IP\104.03 Curbs IP\RP\VC10-2019



6" CONCRETE COMBINED CURB AND GUTTER ●

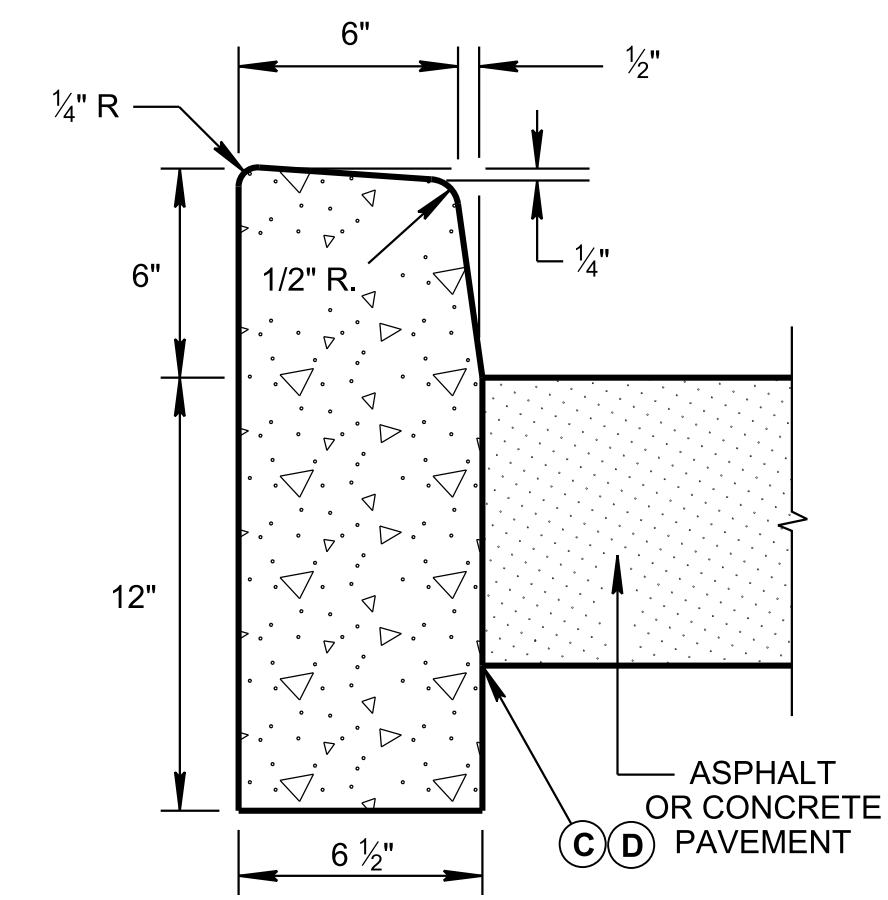
6" CONCRETE COMBINED CURB AND GUTTER TABLE				
TYPE	TOTAL WIDTH (W) IN INCHES	WIDTH OF GUTTER (WG) IN INCHES	VERTICAL DROP (T) IN INCHES	VERTICAL DEPTH (V) OF GUTTER AT FLOW LINE ✖
6-30	30	22 9/16"	2	D - 1.53"
6-36	36	28 9/16"	2 1/2	D - 1.91"
6-42	42	34 9/16"	3	D - 2.29"

✖ VERTICAL DEPTH (V) MUST ALWAYS EXCEED SIX (6) INCHES.



LOWERED CONCRETE CURB AND GUTTER ❖

LEGEND	
D	= VERTICAL DEPTH OF GUTTER (IS BASED ON PAVEMENT DESIGN)
T	= VERTICAL DROP IN GUTTER FROM FRONT EDGE TO FACE OF CURB
V	= VERTICAL DEPTH OF GUTTER AT FLOW LINE
W	= TOTAL WIDTH OF COMBINED CURB AND GUTTER
WG	= WIDTH OF GUTTER



6" DETACHED CONCRETE CURB

QUANTITIES FOR DETACHED CURB	
HEIGHT OF CURB	CUBIC YARD PER LINEAR FOOT
6"	0.02950
LOWERED CURB	0.02534

QUANTITIES FOR COMBINED CURB AND GUTTER

HEIGHT OF CURB	TOTAL WIDTH (W) IN INCHES	DEPTH (D) OF GUTTER IN INCHES	CUBIC YARDS PER LINEAR FOOT	DEPTH (D) OF GUTTER IN INCHES	CUBIC YARDS PER LINEAR FOOT	DEPTH (D) OF GUTTER IN INCHES	CUBIC YARDS PER LINEAR FOOT	DEPTH (D) OF GUTTER IN INCHES	CUBIC YARDS PER LINEAR FOOT	DEPTH (D) OF GUTTER IN INCHES	CUBIC YARDS PER LINEAR FOOT
LOWERED CURB ❖	30	8	0.05711	9	0.06483	10	0.07254	11	0.08026	12	0.08799
	36	8	0.07085	9	0.08011	10	0.08934	11	0.09860	12	0.10786
	42	8	0.09631	9	0.09631	10	0.10711	11	0.11791	12	0.12872
6" ●	30	8	0.06409	9	0.07181	10	0.07953	11	0.08724	12	0.09496
	36	8	0.07780	9	0.08706	10	0.09632	11	0.10558	12	0.11484
	42	8	0.10329	9	0.10329	10	0.11409	11	0.12489	12	0.13570

GENERAL NOTES

- (A) FOR SPECIFICATIONS SEE "STANDARD SPECIFICATIONS FOR ROAD AND BRIDGE CONSTRUCTION" OF THE TENNESSEE DEPARTMENT OF TRANSPORTATION, SECTION 702 - CEMENT CONCRETE CURB, GUTTER AND COMBINED CURB AND GUTTER.
- (B) THE FRONT FACE OF THE CONCRETE CURBS FOR ALL DEGREES OF CURVATURE SHALL CONFORM TO THE CONTOUR OF THE CURVE AND NO CHORD SECTIONS WILL BE PERMITTED.
- (C) CONCRETE EXPANSION JOINT MATERIAL IS TO BE 1/2" IN THICKNESS AT ALL LOCATIONS. ALL MATERIAL IS TO BE PRE-MOLDED FIBER IN ACCORDANCE WITH SECTION 905 - JOINT MATERIALS OF THE STANDARD SPECIFICATIONS.
- (D) EXPANSION JOINTS ARE TO BE PLACED AS FOLLOWS:
 - AT TANGENT POINTS OF CIRCULAR CURBS.
 - BETWEEN CURBS AND ABUTTING RIGID OBJECTS.
 - AT OTHER PLACES WHERE STRESSES MAY DEVELOP.
 - TO LINE UP WITH PAVEMENT JOINTS WHERE THE ADJACENT PAVEMENT IS CONCRETE.
 - THE MAXIMUM SPACING IS TO BE 100 FEET.
 - BETWEEN CONCRETE CURBS OR CURB AND GUTTERS AND CONCRETE PAVEMENT. IT IS NOT REQUIRED WHEN CURBS OR CURB AND GUTTERS ARE ADJACENT TO ASPHALT.
- (E) CONTRACTION JOINTS ARE TO BE SPACED AT 10 FEET. THE SPACING OF 10 FEET MAY BE REDUCED FOR CLOSURES, BUT NOT LESS THAN 6 FEET.
- (F) EDGES OF JOINTS SHALL BE FINISHED ON 1/4" RADII.
- (G) ALL COST OF JOINTS SHALL BE INCLUDED IN THE UNIT PRICE BID FOR CONCRETE CURBS AND CONCRETE CURBS AND GUTTERS.
- (H) THE UNIT PRICE BID FOR CONCRETE CURB, CONCRETE CURB AND GUTTER AND CONCRETE PAVEMENT WILL INCLUDE ANY CIRCULAR SECTION REQUIRED TO BE BUILT CONFORMING TO SECTIONS SHOWN ON THIS SHEET.
- (I) PAYMENT WILL BE AS FOLLOWS:

ITEM NO. 702-01, CONCRETE CURB,	PER C.Y.
ITEM NO. 702-03, CONCRETE COMBINED CURB AND GUTTER,	PER C.Y.
- (J) THE 1/4" HEIGHT IS FOR WHEN ASPHALT PAVEMENT IS ADJACENT TO CONCRETE CURB AND GUTTER ONLY. CONCRETE PAVEMENT WILL BE FLUSH WITH THE TOP OF THE GUTTER.

LOWERED CONCRETE CURB NOTES

- (K) TO BE BUILT AS COMBINED CURB AND GUTTER, DETACHED CURB OR INTEGRAL CURB AS NOTED ON THE PLANS OR AS DIRECTED BY THE ENGINEER.
- (L) FOR DETACHED CURB, OMIT RADIUS AT FLOW LINE.
- (M) TO BE USED FOR PROPOSED RAMP OPENINGS.

(Replaced Std Dwg RP-NMC-10)

STATE OF TENNESSEE
STANDARD DRAWING
DEPARTMENT OF TRANSPORTATION

VERTICAL
CONCRETE CURBS
AND
CONCRETE CURBS
AND GUTTERS

REV. 06-28-19: REVISED DETAILS FOR LOWERED CONCRETE CURB, 6" DETACHED CONCRETE CURB AND 6" CONCRETE COMBINED CURB AND GUTTER. GENERAL NOTES: REVISED NOTES (C) AND (D). ADDED NOTE (J), MOVED LOWERED CONCRETE CURB NOTES TO NOTE NOS. (K), (L) & (M). ADJUSTED WIDTH OF GUTTER (WG) DIMENSIONS. REDREW SHEET.