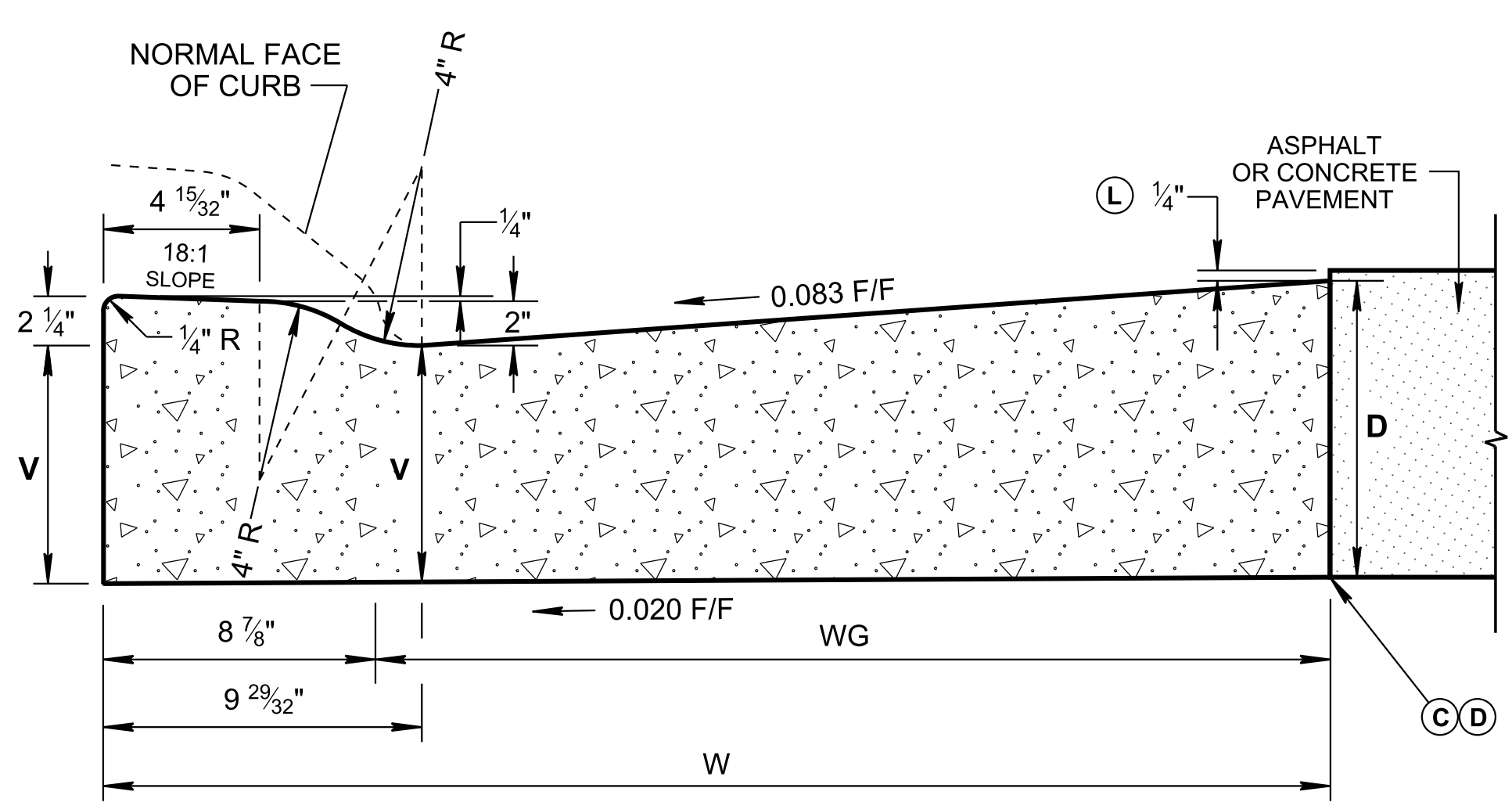
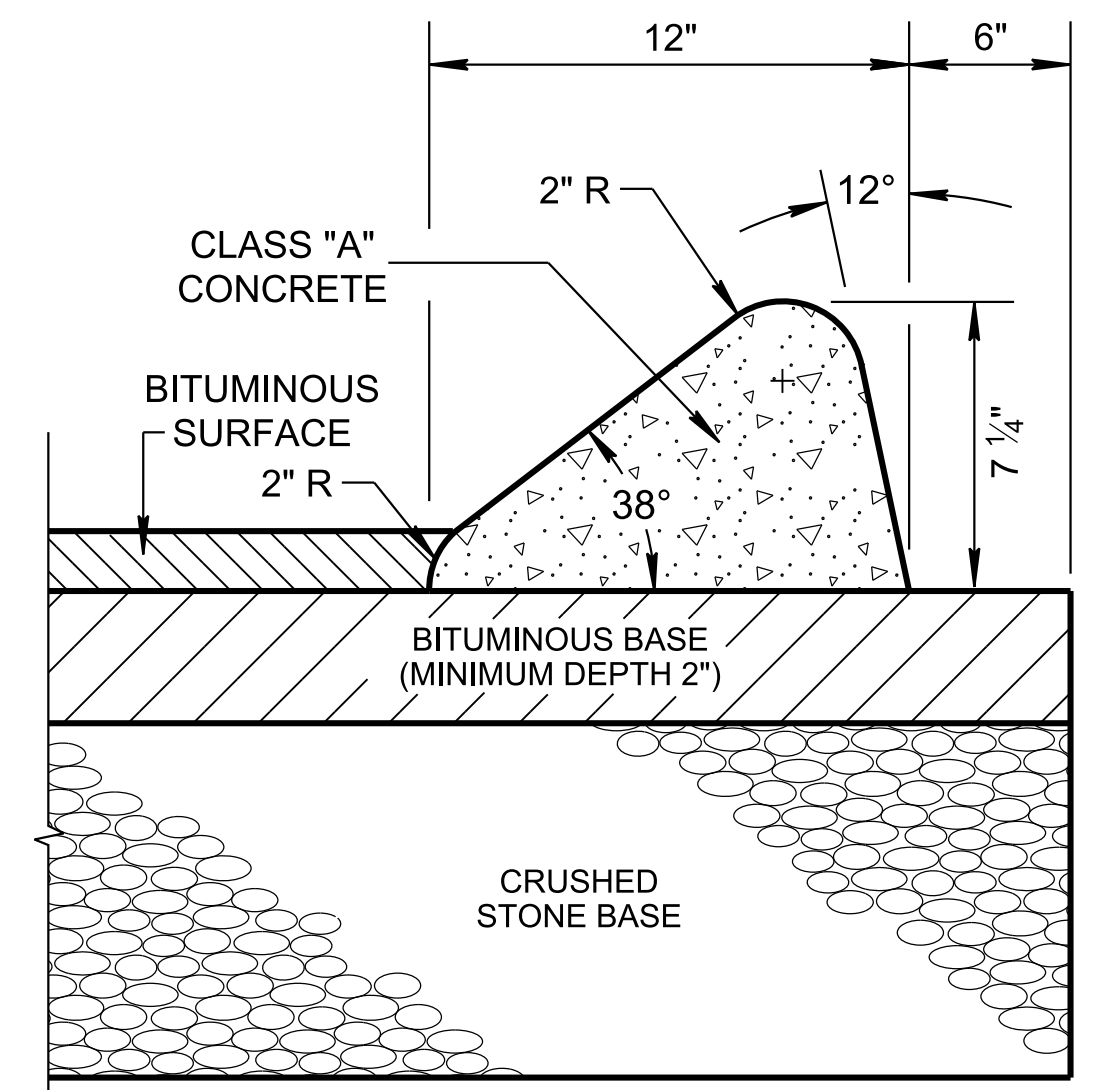


**6" SLOPING CONCRETE COMBINED CURB AND GUTTER** 🚰



**LOWERED CONCRETE CURB AND GUTTER** ❖



**EXTRUDED 6" SLOPING CONCRETE CURB**  
SEE NOTES (I) & (J)

TYPE	TOTAL WIDTH (W) IN INCHES	WIDTH OF GUTTER (WG) IN INCHES	VERTICAL DROP (T) IN INCHES	VERTICAL DEPTH (V) OF GUTTER AT FLOW LINE
6-33	33	24 1/8	2	D - 1.52"
6-39	39	30 1/8	2 1/2	D - 1.90"
6-45	45	36 1/8	3	D - 2.28"

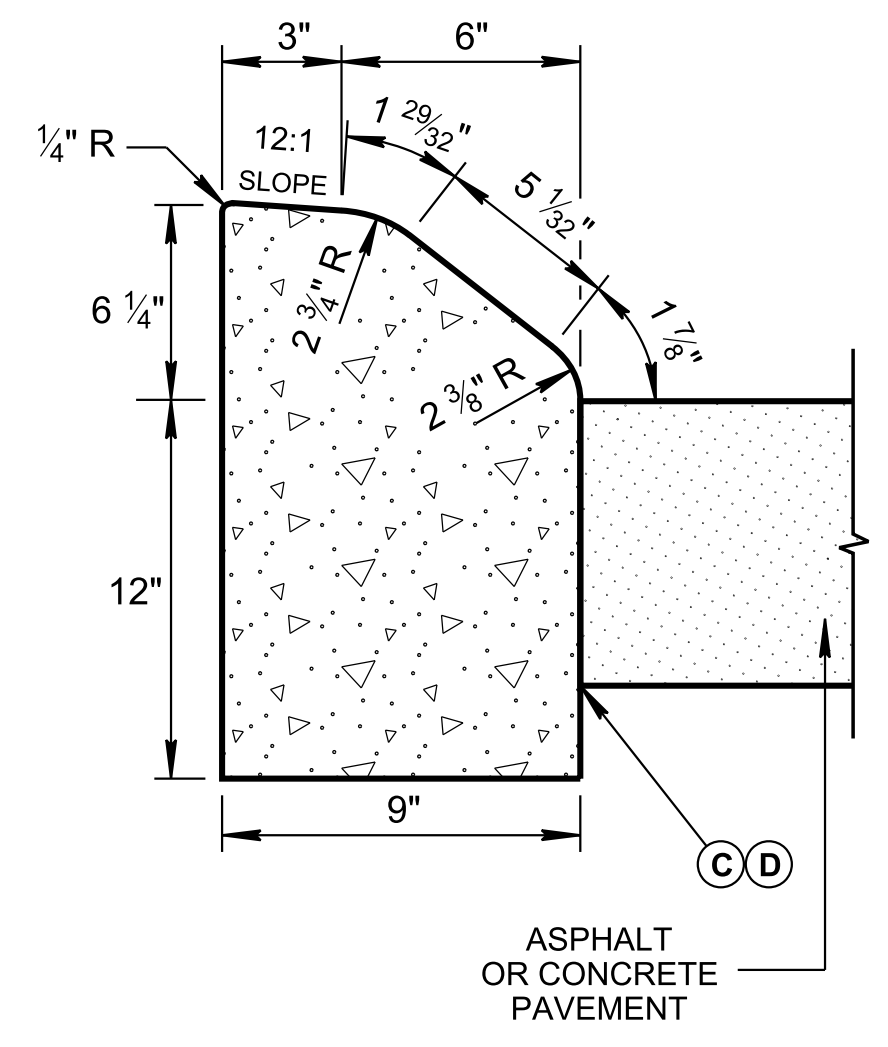
✕ VERTICAL DEPTH (V) MUST ALWAYS EXCEED SIX (6) INCHES.

D	= VERTICAL DEPTH OF GUTTER (IS BASED ON PAVEMENT DESIGN)
T	= VERTICAL DROP IN GUTTER FROM FRONT EDGE TO FACE OF CURB
V	= VERTICAL DEPTH OF GUTTER AT FLOW LINE
W	= TOTAL WIDTH OF COMBINED CURB AND GUTTER
WG	= WIDTH OF GUTTER

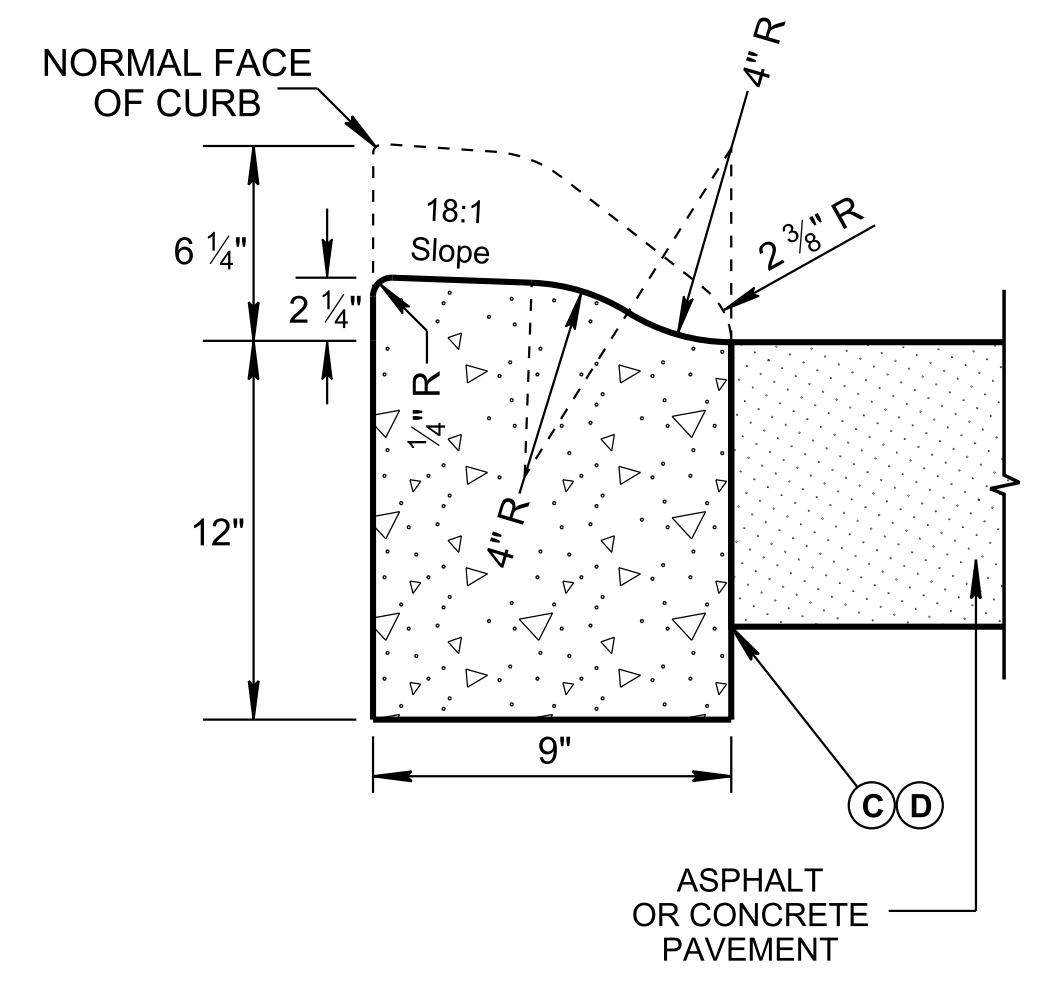
HEIGHT OF CURB	TOTAL WIDTH (W) IN INCHES	DEPTH (D) OF GUTTER IN INCHES	CUBIC YARDS PER LINEAR FOOT	DEPTH (D) OF GUTTER IN INCHES	CUBIC YARDS PER LINEAR FOOT	DEPTH (D) OF GUTTER IN INCHES	CUBIC YARDS PER LINEAR FOOT	DEPTH (D) OF GUTTER IN INCHES	CUBIC YARDS PER LINEAR FOOT	DEPTH (D) OF GUTTER IN INCHES	CUBIC YARDS PER LINEAR FOOT
<b>LOWERED CURB</b> ❖	33	8	0.06362	9	0.07211	10	0.08061	11	0.08909	12	0.09757
	39	8	0.07748	9	0.08751	10	0.09754	11	0.10758	12	0.11763
	45	8	0.10385	9	0.10385	10	0.11543	11	0.12701	12	0.13857
<b>6" SLOPING</b> 🚰	33	8	0.07060	9	0.07909	10	0.08757	11	0.09606	12	0.10455
	39	8	0.08446	9	0.09449	10	0.10452	11	0.11455	12	0.12458
	45	8	0.11083	9	0.11083	10	0.12240	11	0.13398	12	0.14555

- GENERAL NOTES**
- (A) FOR SPECIFICATIONS SEE "STANDARD SPECIFICATIONS FOR ROAD AND BRIDGE CONSTRUCTION" OF THE TENNESSEE DEPARTMENT OF TRANSPORTATION, SECTION 702 - CEMENT CONCRETE CURB, GUTTER AND COMBINED CURB AND GUTTER.
  - (B) THE FRONT FACE OF THE CONCRETE CURBS FOR ALL DEGREES OF CURVATURE SHALL CONFORM TO THE CONTOUR OF THE CURVE AND NO CHORD SECTIONS WILL BE PERMITTED.
  - (C) CONCRETE EXPANSION JOINT MATERIAL IS TO BE 1/2" IN THICKNESS AT ALL LOCATIONS. ALL MATERIAL IS TO BE PRE-MOLDED FIBER IN ACCORDANCE WITH SECTION 905 - JOINT MATERIALS OF THE STANDARD SPECIFICATIONS.
  - (D) EXPANSION JOINTS ARE TO BE PLACED AS FOLLOWS:
    1. AT TANGENT POINTS OF CIRCULAR CURBS.
    2. BETWEEN CURBS AND ABUTTING RIGID OBJECTS.
    3. AT OTHER PLACES WHERE STRESSES MAY DEVELOP.
    4. TO LINE UP WITH PAVEMENT JOINTS WHERE THE ADJACENT PAVEMENT IS CONCRETE.
    5. THE MAXIMUM SPACING IS TO BE 100 FEET.
    6. BETWEEN CONCRETE CURBS OR CURB AND GUTTERS AND CONCRETE PAVEMENT. IT IS NOT REQUIRED WHEN CURBS OR CURB AND GUTTERS ARE ADJACENT TO ASPHALT.
  - (E) CONTRACTION JOINTS ARE TO BE SPACED AT 10 FEET. THE SPACING OF 10 FEET MAY BE REDUCED FOR CLOSURES, BUT NOT LESS THAN 6 FEET.
  - (F) EDGES OF JOINTS SHALL BE FINISHED ON 1/4" RADII.
  - (G) ALL COST OF JOINTS SHALL BE INCLUDED IN THE UNIT PRICE BID FOR CONCRETE CURBS AND CONCRETE CURBS AND GUTTERS.
  - (H) THE UNIT PRICE BID FOR CONCRETE CURB, CONCRETE CURB AND GUTTER AND CONCRETE PAVEMENT WILL INCLUDE ANY CIRCULAR SECTION REQUIRED TO BE BUILT CONFORMING TO SECTIONS SHOWN ON THIS SHEET.
  - (I) WHERE CONCRETE MEDIAN PAVEMENT IS POURED BEHIND EXTRUDED 6" CONCRETE CURB. IT MAY BE POURED MONOLITHICALLY WITH THE CURB.
  - (J) THE EXTRUDED 6" SLOPING CONCRETE CURB IS TO BE USED ONLY IN SPECIAL CONDITIONS SUCH AS LOW SPEED LOW VOLUME LOCAL STREETS, AS A TEMPORARY MEASURE TO CONTROL TRAFFIC FLOW OR WHEN TIEING TO SIMILAR CURBS ON SUBDIVISION STREETS OR IN PARKING LOTS.
  - (K) PAYMENT WILL BE AS FOLLOWS:
 

ITEM NO. 702-01	CONCRETE CURB,	PER C.Y.
ITEM NO. 702-01.01	EXTRUDED SLOPING CURB,	PER L.F.
ITEM NO. 702-03	CONCRETE COMBINED CURB AND GUTTER,	PER C.Y.
  - (L) THE 1/4" HEIGHT IS FOR WHEN ASPHALT PAVEMENT IS ADJACENT TO CONCRETE CURB AND GUTTER ONLY. CONCRETE PAVEMENT WILL BE FLUSH WITH THE TOP OF THE GUTTER.
- LOWERED CONCRETE CURB NOTE**
- (M) TO BE BUILT AS COMBINED CURB AND GUTTER, DETACHED CURB OR INTEGRAL CURB AS NOTED ON THE PLANS OR AS DIRECTED BY THE ENGINEER.



**6" SLOPING DETACHED CONCRETE CURB**



**LOWERED 6" SLOPING DETACHED CONCRETE CURB**

HEIGHT OF CURB	CUBIC YARD PER LINEAR FOOT
LOWERED CURB	0.03099
6" SLOPING	0.03841

(Replaced Std Dwg RP-MC-2)

**STATE OF TENNESSEE**  
STANDARD DRAWING  
**DEPARTMENT OF TRANSPORTATION**

**6" SLOPING CONCRETE CURBS AND CONCRETE CURBS AND GUTTERS**