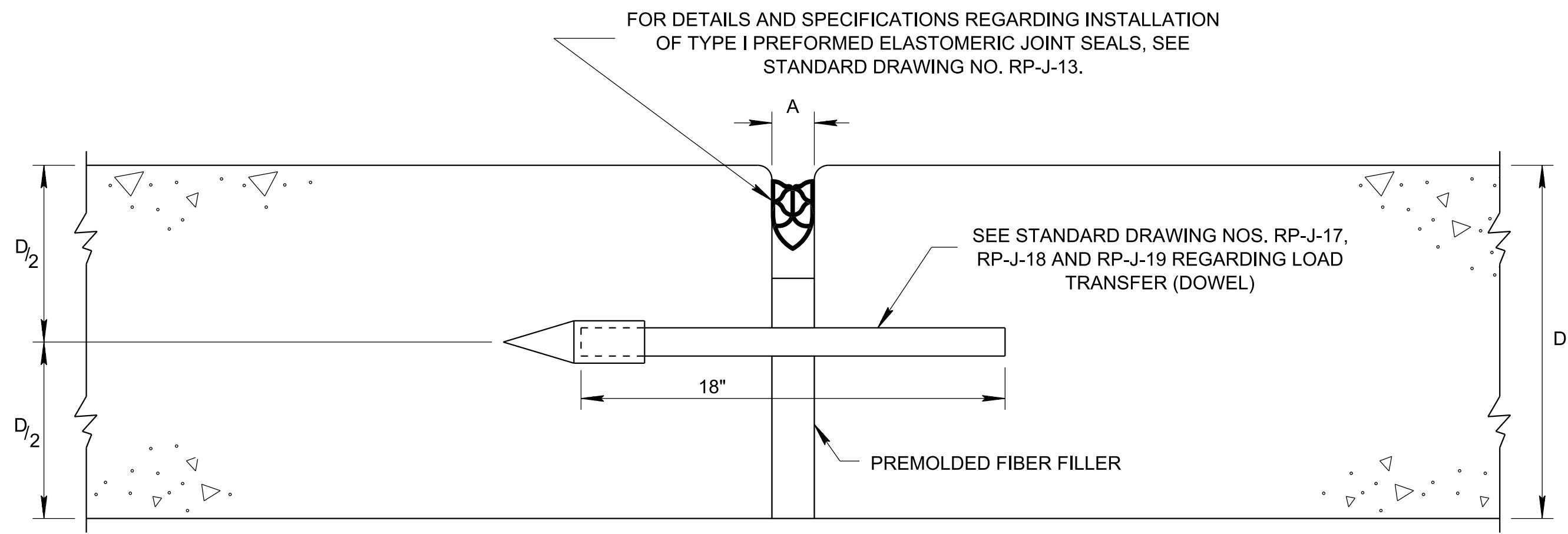
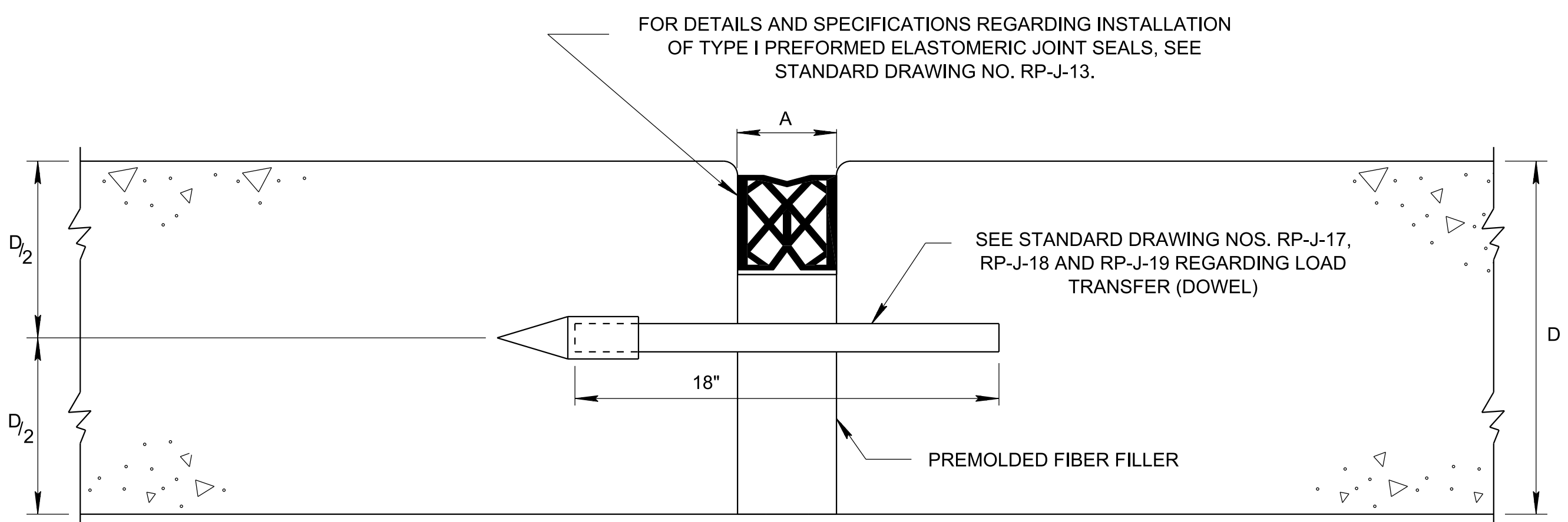


4/15/2020 2:26:22 PM P:\StandDraw\DESIGN STANDARDS\Standards Drawings\Standard Roadway Drawings - CURRENT\In Progress\10-104.00 Roadway, Pavement Appurtenances and Fence IP\104.01 Concrete Pavement IP\RP

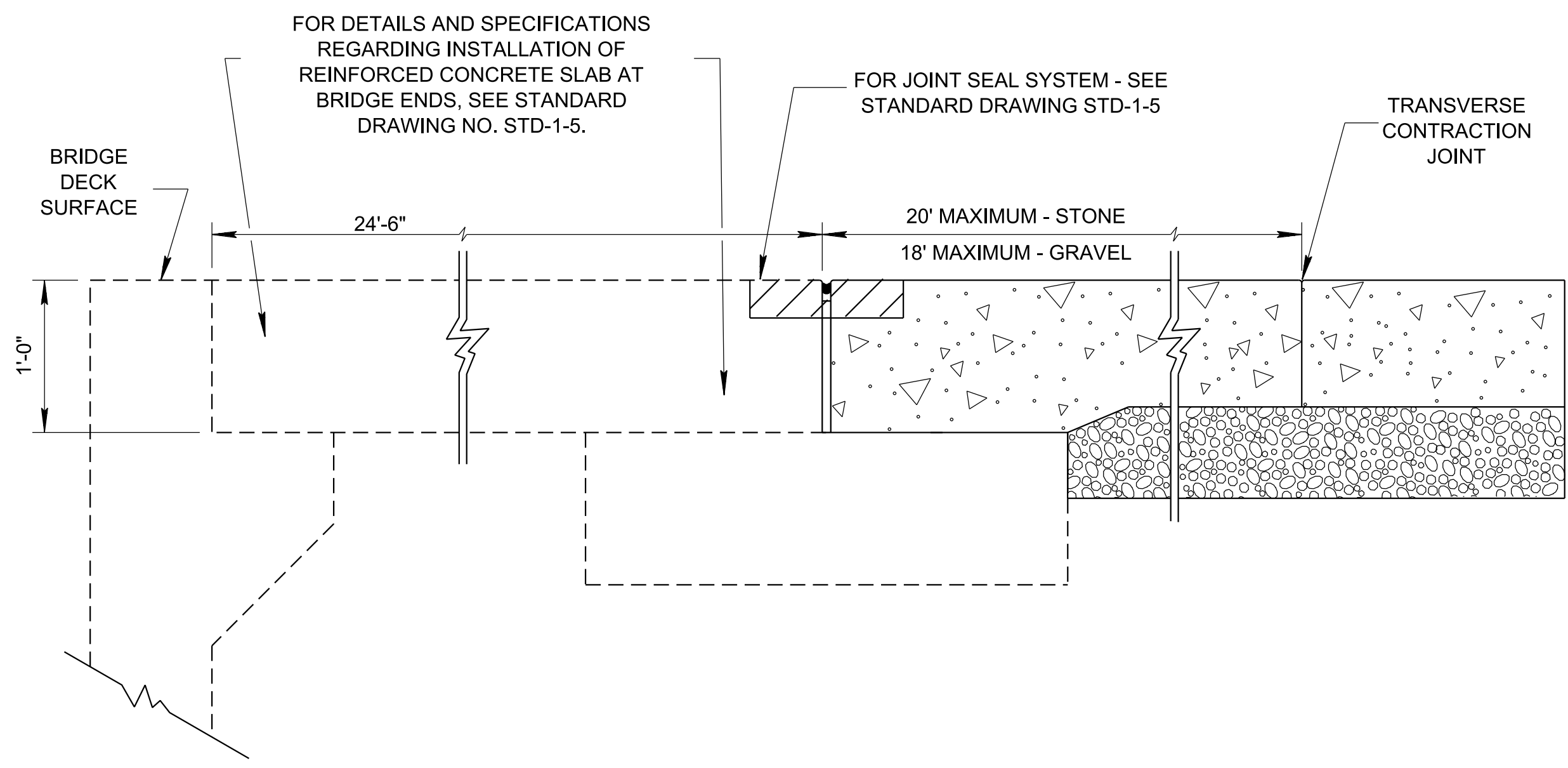


3/4" TRANSVERSE AND LONGITUDINAL EXPANSION JOINTS WITH LOAD TRANSFER DOWELS WILL BE REQUIRED ONLY AT STREET INTERSECTIONS, AS INDICATED ON STANDARD DRAWING NO. RP-I-5, AND AS SHOWN ELSEWHERE ON THE PLANS.

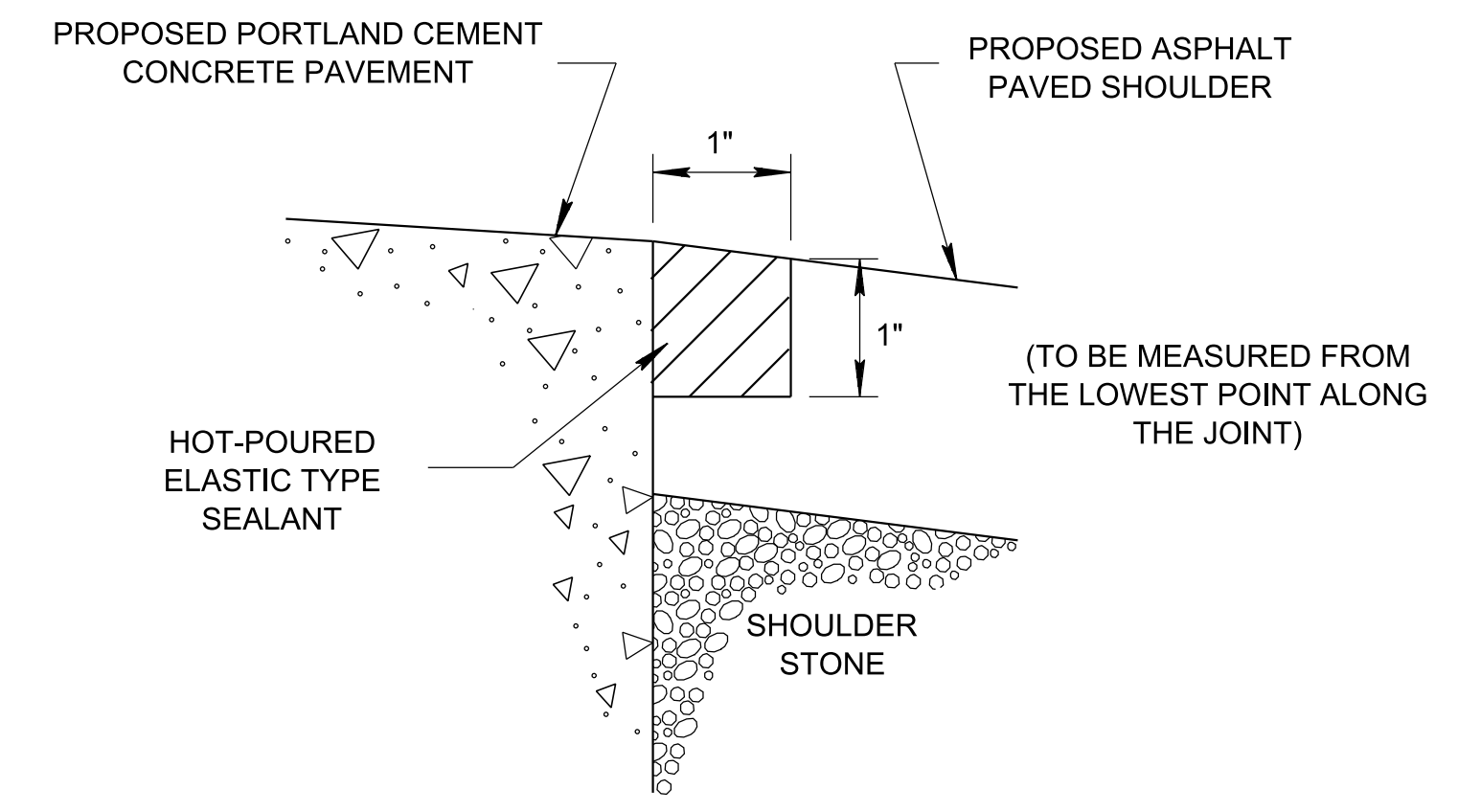
PREMOLDED 3/4" EXPANSION JOINT WITH LOAD TRANSFERS



PREMOLDED 1 3/4" EXPANSION JOINT WITH LOAD TRANSFERS



SKETCH SHOWING EXPANSION JOINT AT BRIDGE END



SHOULDER JOINT DETAIL

SEALANT SHALL BE USED AS SHOWN ON THIS DETAIL BETWEEN PROPOSED PORTLAND CEMENT CONCRETE PAVEMENT (MAINLINE OR RAMPS) AND PROPOSED ASPHALT PAVED SHOULDERS; ALSO BETWEEN PROPOSED ASPHALT PAVEMENT (MAINLINE) AND PROPOSED PORTLAND CEMENT CONCRETE PAVEMENT (RAMPS). THIS SHALL APPLY TO ALL NEW CONSTRUCTION PROJECTS UNLESS OTHERWISE SPECIFIED IN THE PLANS.

- REV. 7-17-81: CHANGED ITEM NUMBER TO AGREE WITH NEW SPECIFICATION BOOK.
- REV. 4-25-90: REDREW SHEET AND MODIFIED ALL DRAWINGS. ADDED GENERAL NOTES AND NOTE UNDER SHOULDER JOINT DETAIL. CHANGED DOWEL BAR LENGTH FROM 15" TO 18".
- REV. 3-20-91: MODIFIED DETAIL SHOWING PLACEMENT OF 1 3/4" EXPANSION JOINT.
- REV. 7-11-91: CHANGED STANDARD DRAWING NUMBER FOR REINFORCED CONCRETE SLAB FROM K-86-144 TO STD-1-3.
- REV. 12-18-94: UPDATED STANDARD DRAWING REFERENCE DRAWING NUMBERS TO MATCH CURRENT NUMBERS.
- REV. 7-29-96: CHANGED EXPANSION JOINT SYSTEM AT BRIDGE ENDS. ADDED 1 3/4" EXPANSION JOINT DETAIL.
- REV. 05-01-20: REDREW SHEET.

CROSS-REFERENCE DRAWINGS FOR THIS DRAWING: RP-I-5, RP-J-1, RP-J-5, RP-J-7, RP-J-13, RP-J-17, RP-J-18, RP-J-19 AND STD-1-5.

APPROVED BY FHWA (ALL OTHERS APPROVED BY TDOT)

GENERAL NOTES

- (A) SEE STANDARD SPECIFICATIONS AND SPECIAL PROVISIONS FOR ADDITIONAL REQUIREMENTS FOR PAVEMENT JOINTS AND SEALANTS.
- (B) SEE STANDARD DRAWING NOS. RP-J-1, RP-J-5, AND RP-J-7 FOR 1 3/4" EXPANSION JOINT LOCATIONS.
- (C) SEE STANDARD DRAWING NO. RP-J-13 FOR DETAILS REGARDING 3/4" AND 1 3/4" ELASTIC JOINT SEALS.
- (D) SEE STANDARD DRAWING NOS. RP-J-17, RP-J-18 AND RP-J-19 REGARDING PLACEMENT OF LOAD TRANSFER DOWELS IN EXPANSION JOINTS.

STATE OF TENNESSEE
STANDARD DRAWING
DEPARTMENT OF TRANSPORTATION

3/4" AND 1 3/4" EXPANSION AND EDGE PAVEMENT JOINTS

RP-J-11