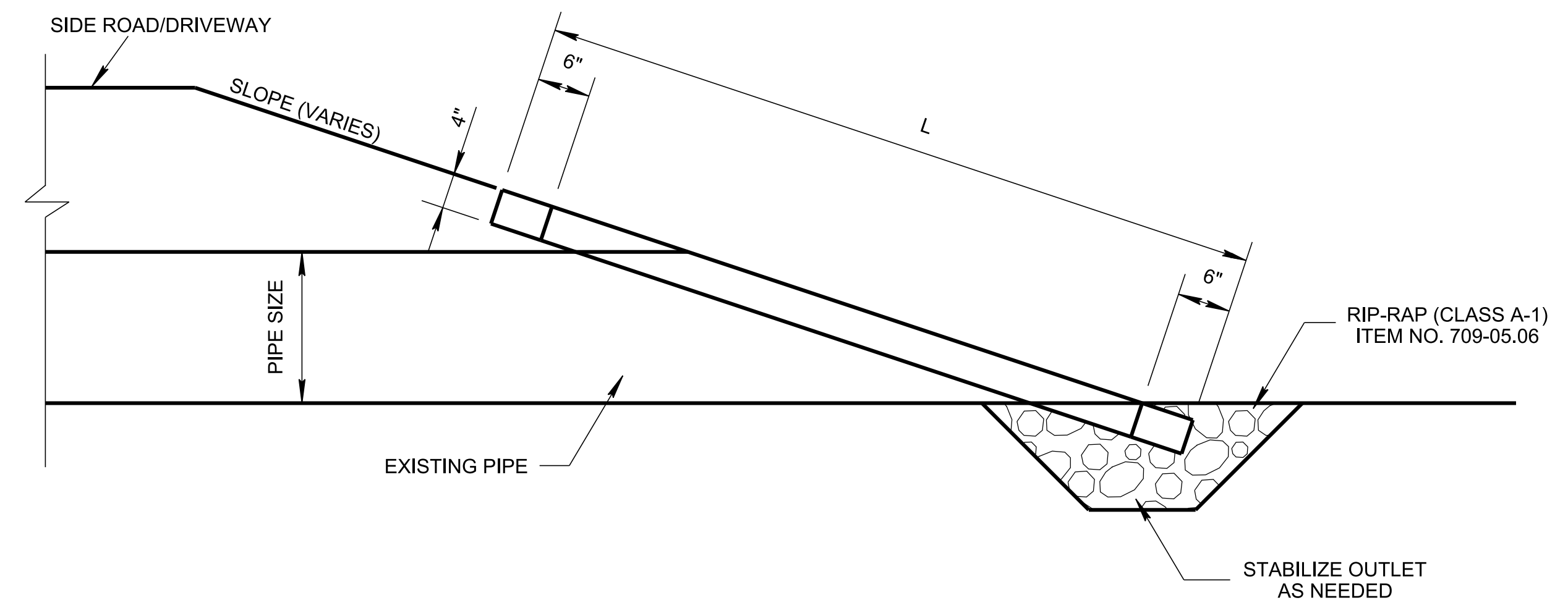


PLAN VIEW



CROSS-SECTION VIEW

APPROXIMATE QUANTITIES						
	3(H):1(V) SLOPE			2(H):1(V) SLOPE		
PIPE SIZE (IN)	15	18	24	15	18	24
L (IN)	78	88	107	58	65	79
D (IN)	17	20	26	17	20	26
W (IN)	53	56	62	53	56	62
CONCRETE (CY)	0.4	0.5	0.6	0.3	0.4	0.5
WIRE MESH (S.Y.)	4	4	5	3	3	4
RIP-RAP (TON)	1	1	1	1	1	1

- GENERAL NOTES**
- (A) TO BE USED FOR MAINTENANCE ACTIVITIES ONLY. MITERED END SECTION IS INTENDED TO REHABILITATE THE EXISTING SIDE DRAIN PIPE ENDS DURING ROUTINE MAINTENANCE ACTIVITIES.
  - (B) CONCRETE AND STEEL QUANTITIES ARE BASED ON A SOLID SLAB WITHOUT CUT-OUT.
  - (C) PAYMENT WILL BE UNDER ITEM NUMBERS:  
 611-07.01 CLASS A CONCRETE (PIPE ENDWALLS) PER C.Y.  
 707-10.08 WIRE MESH (DESCRIPTION) PER S.Y.  
 709-05.06 MACHINED RIP-RAP (CLASS A-1) PER TON
  - (D) ALL DIMENSIONS ARE NOMINAL.
  - (E) DIMENSIONAL AND REINFORCING TOLERANCES WILL BE AS SHOWN IN STANDARD OPERATING PROCEDURE (SOP) 5-3.
  - (F) PIPES ARE TO BE CUT TO MATCH THE SIDE SLOPE.

MINOR REVISION -- FHWA APPROVAL NOT REQUIRED

STATE OF TENNESSEE  
STANDARD DRAWING  
DEPARTMENT OF TRANSPORTATION

SIDE DRAIN  
MITERED  
END SECTION

7/23/2019 11:11:18 AM \\AG03SDCWF00010.net.ads.state.tn.us\PROJECTS\Standard Drawings Folder\Working Folder for Eugene\Draft\110 PIPE CULVERTS AND ENDWALLS\110.03 Safety Side Drain Endwalls\SDMSE1-20190628.dwg