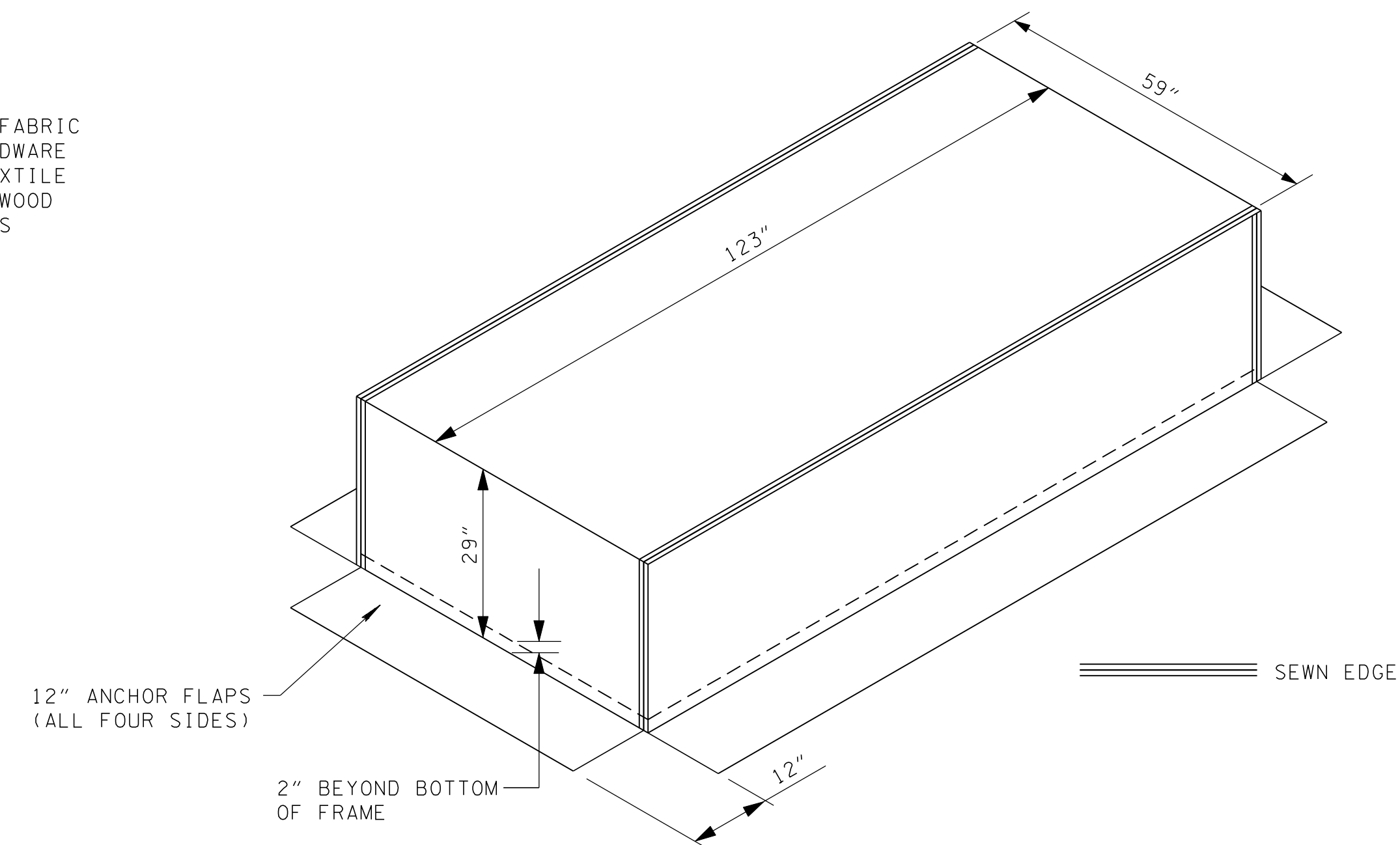
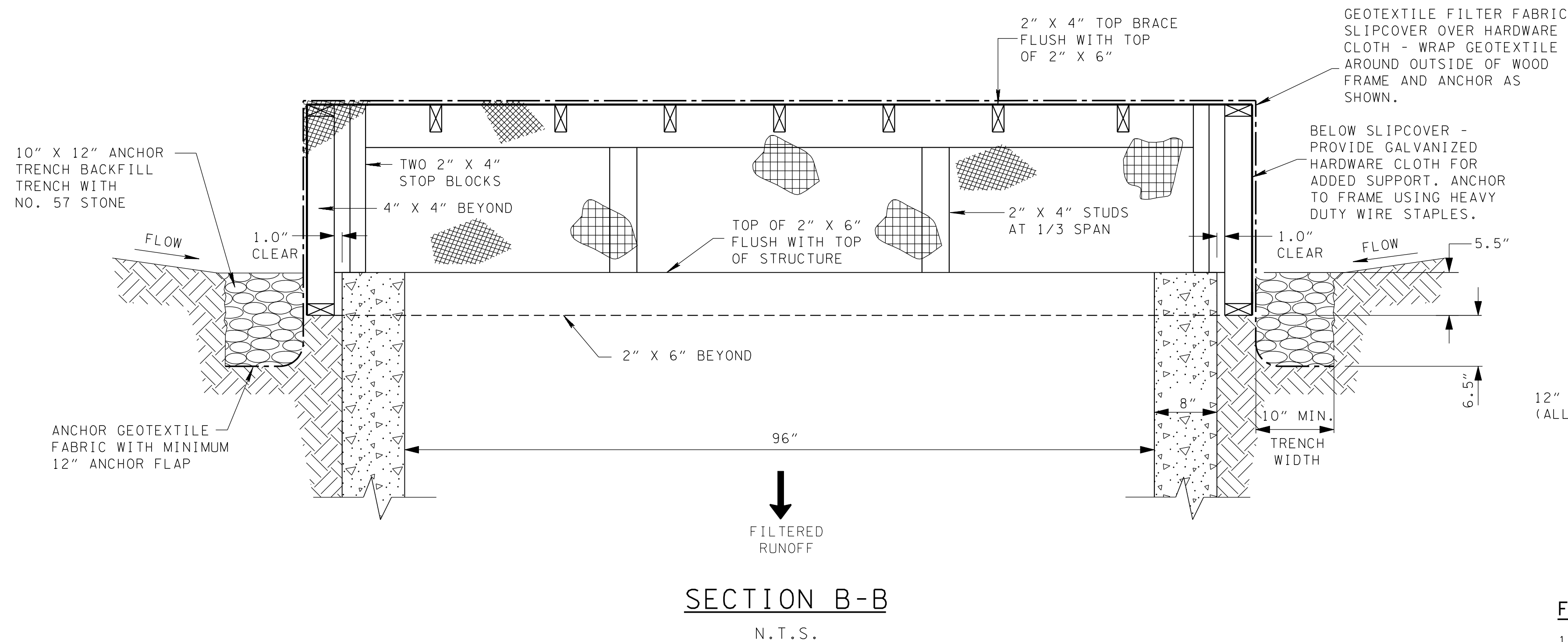


SLIPCOVER FILTER SPECIFICATIONS		
FABRIC TYPE : NON-WOVEN, NEEDLE-PUNCHED GEOTEXTILE		
FABRIC PROPERTY	ASTM TEST METHOD	MINIMUM AVERAGE ROLL VALUES (MARVS)
GRAB TENSILE STRENGTH	ASTM D4632	≥180 LBS
GRAB ELONGATION	ASTM D4632	≥50%
MULLEN BURST	ASTM D3786	≥330 PSI
PUNCTURE STRENGTH	ASTM D4833	≥105 LBS
TRAPEZOIDAL TEAR	ASTM D4533	≥75 LBS
APPARENT OPENING SIZE (AOS)	ASTM D4751	FINER THAN OR EQUAL TO #80 U.S. STANDARD SIEVE
PERMEABILITY	ASTM D4491	≥0.12 INCHES/SEC
PERMITTIVITY	ASTM D4491	≥1.5 SEC ⁻¹
WATER FLUX	ASTM D4491	≥110 GAL/MIN/FT ²
UV RESISTANCE	ASTM D4355	≥70% AT 500 HOURS
WEIGHT	ASTM D3776	MINIMUM 6 OZ/YD ²

HARDWARE CLOTH SPECIFICATIONS	
STANDARD SPECIFICATION	ASTM A740
OPENING SIZE	0.5 INCH X 0.5 INCH
WIRE SIZE	19 GAUGE
WIRE DIAMETER	0.041 INCHES
WEIGHT	± 0.2 LBS/SF
GRADE	LOW CARBON STEEL (C1008)
TYPE	WELDED HOT GALVANIZED STEEL WIRE FABRIC



FABRICATION SPECIFICATIONS:

1. GEOTEXTILE SLIPCOVER FABRIC SHALL HAVE HEAT-CUT FUSING FABRIC EDGES FOR STRENGTH.
2. ALL SEAMS SHALL BE SEWN WITH TWO INDEPENDENT ROWS OF LOCK-TYPE STITCHING, USING UV-BONDED POLYESTER THREAD (MINIMUM OF 138 POUNDS) WITH MINIMUM OF SIX STITCHES PER INCH.
3. THE INSIDE ROW OF STITCHING SHALL BE A MINIMUM OF 0.5" FROM HEAT-CUT FABRIC EDGES.

EROSION CONTROL PLAN LEGEND: (7) CATCH BASIN FILTER ASSEMBLY (TYPE 7)