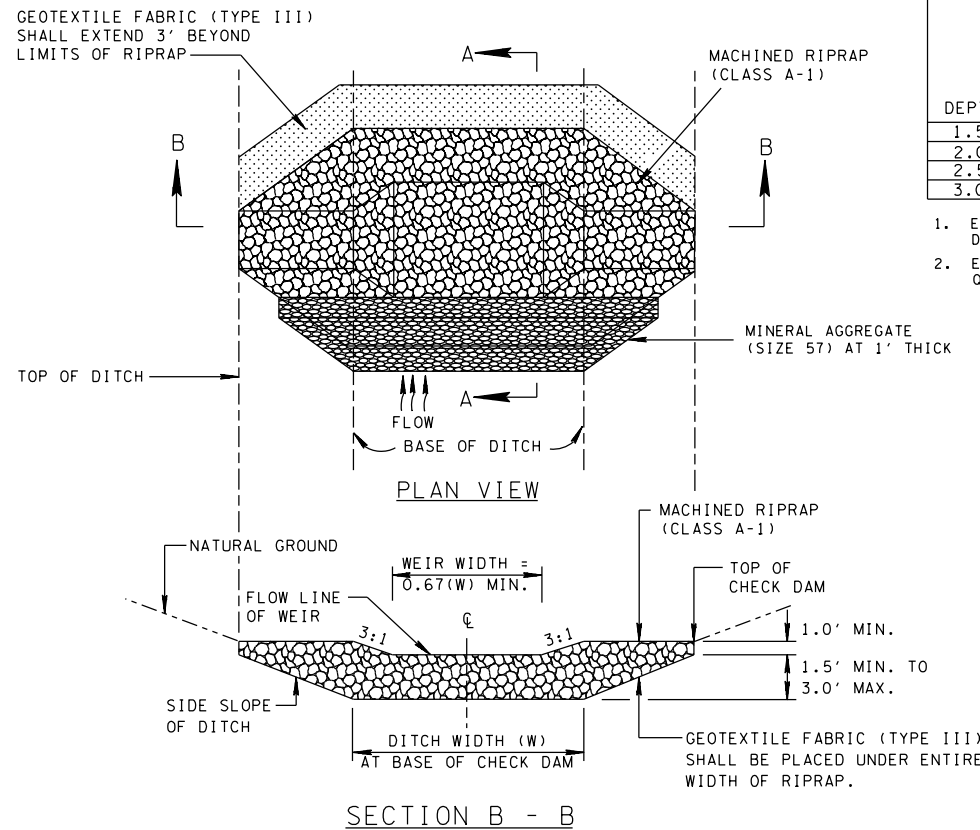


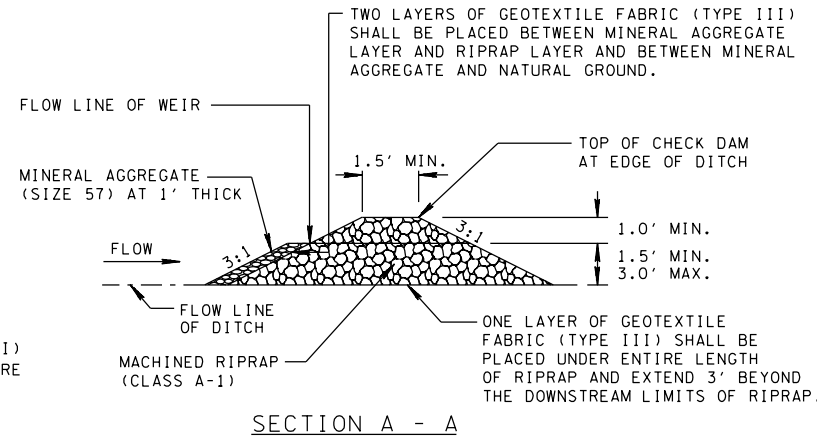
□ REV. 8-1-12: MINOR EDITS TO GENERAL NOTES.  
 □ REV. 5-6-16: REVISED GENERAL NOTE ⑩

**DETAIL FOR TRAPEZOIDAL DITCH**

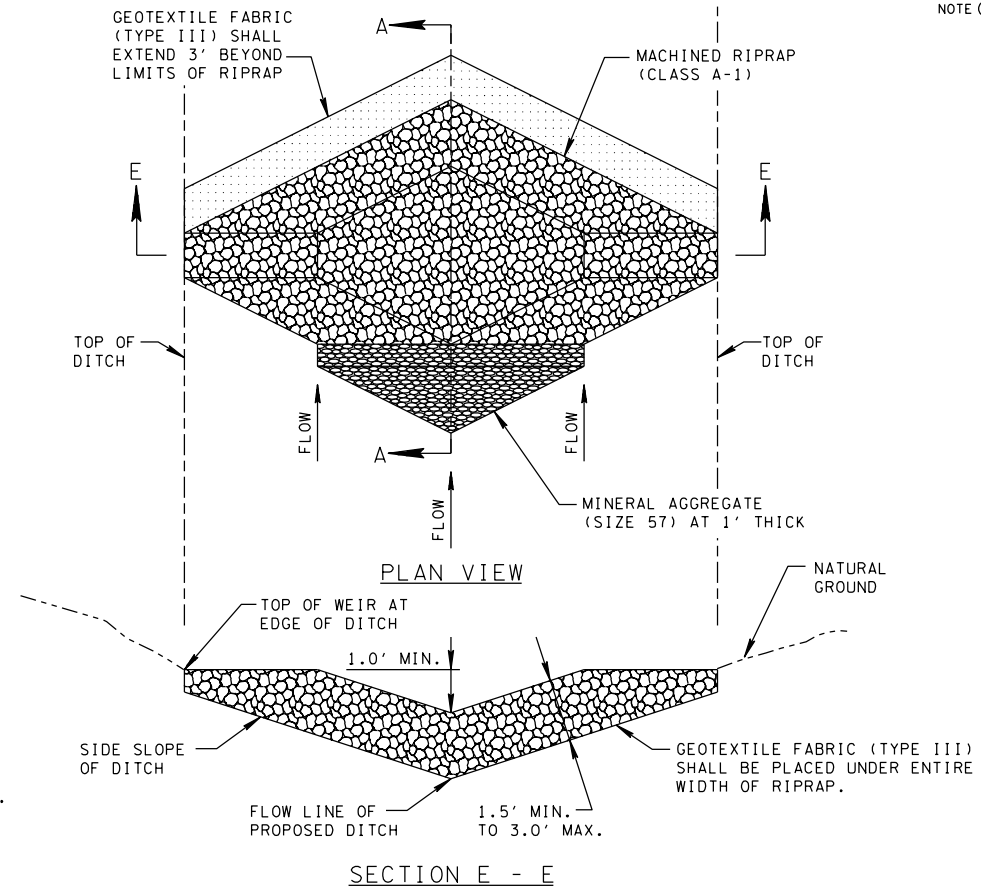


DEPTH	V-DITCH <sup>1</sup>			TRAPEZOIDAL DITCH <sup>2</sup>		
	MINERAL AGGREGATE (SIZE 57) (TON)	MACHINED RIPRAP (CLASS A-1) (TON)	GEOTEXTILE FABRIC (TYPE III) (S.Y.)	MINERAL AGGREGATE (SIZE 57) (TON)	MACHINED RIPRAP (CLASS A-1) (TON)	GEOTEXTILE FABRIC (TYPE III) (S.Y.)
1.5	0.21	12.2	31.7	0.29	17.2	40.3
2.0	0.33	20.2	44.0	0.44	27.6	54.7
2.5	0.48	31.1	58.3	0.62	41.2	71.0
3.0	0.66	45.1	74.7	0.83	58.3	89.3

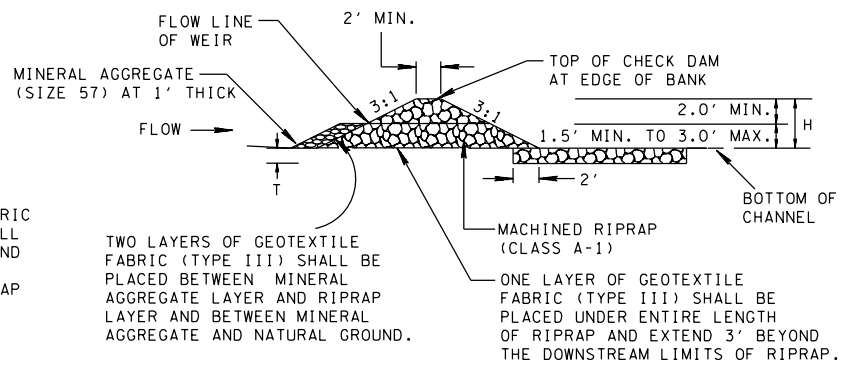
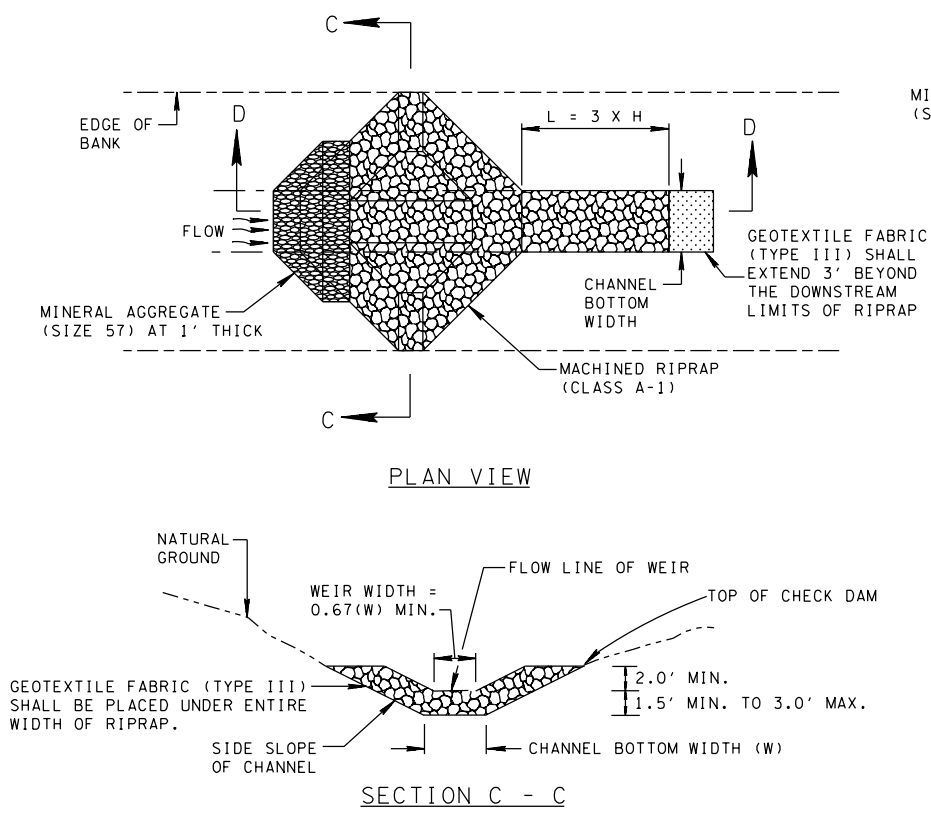
1. ESTIMATED QUANTITIES BASED ON 4:1 SIDE SLOPES. QUANTITIES WILL VARY BASED ON ACTUAL DITCH CONFIGURATION.
2. ESTIMATED QUANTITIES BASED ON 4 FT BOTTOM WIDTH, 4 FT DEPTH, AND 4:1 SIDE SLOPES. QUANTITIES WILL VARY BASED ON ACTUAL DITCH CONFIGURATION.



**DETAIL FOR V-DITCH**



**DETAIL FOR CHANNELS**



**SECTION D - D**  
 T = 1.0' MINIMUM TO 1.5' MAXIMUM  
 H = HEIGHT OF CHECK DAM  
 L = LENGTH OF RIPRAP PAD  
 W = WIDTH OF DITCH (CHANNEL) BOTTOM

**EROSION CONTROL PLAN LEGEND:**

- ENHANCED ROCK CHECK DAM (TRAPEZOIDAL DITCH)
- ENHANCED ROCK CHECK DAM (V-DITCH)
- ENHANCED ROCK CHECK DAM (CHANNEL)

**ENHANCED ROCK CHECK DAM GENERAL NOTES**

- ENHANCED ROCK CHECK DAMS MAY BE USED TO REDUCE FLOW VELOCITIES TO ALLOW SEDIMENTS TO DROP OUT. THEY MAY BE EMPLOYED WHERE THE DRAINAGE AREA EXCEEDS THE MAXIMUM FOR ROCK CHECK DAMS OR WHERE A FILTRATION FUNCTION FOR VERY LOW FLOWS IS DESIRED. ENHANCED ROCK CHECK DAMS SHALL NOT BE USED IN STREAMS OR WETLANDS UNLESS PROVIDED FOR IN THE PERMITS.
- AT MOST SITES, THE MAXIMUM ALLOWABLE DRAINAGE AREA SHALL BE 30 ACRES. AT SITES WHICH DRAIN TO EXCEPTIONAL TENNESSEE WATERS OR SEDIMENT-IMPAIRED STREAMS, THE MAXIMUM ALLOWABLE DRAINAGE AREA SHALL BE 20 ACRES.
- ENHANCED CHECK DAM MAY REMAIN IN PLACE AS PERMANENT CHECK DAM. IF SHOWN IN THE PLANS OR AS DIRECTED BY THE ENGINEER.
- THE CENTER OF THE ENHANCED ROCK CHECK DAM USED IN DITCHES MUST BE AT LEAST ONE (1) FOOT LOWER THAN THE OUTER EDGES. THE CENTER OF ENHANCED ROCK CHECK DAMS USED IN CHANNELS MUST BE AT LEAST TWO (2) FEET LOWER THAN THE OUTER EDGES.
- THE DEPTH OF FLOW ON THE CENTER OF THE STRUCTURE SHALL BE COMPUTED FOR THE PEAK FLOW RATE GENERATED BY THE 2-YEAR, 24-HOUR STORM IN ORDER TO ENSURE THAT THE TOP OF THE STRUCTURE WILL NOT BE OVERTOPPED. FOR SITES WHICH DRAIN TO EXCEPTIONAL TENNESSEE WATERS OR SEDIMENT IMPAIRED STREAMS, THE DEPTH SHOULD BE DETERMINED FOR THE 5-YEAR, 24-HOUR PEAK FLOW RATE. THIS WILL ELIMINATE THE ROCK - SOIL FAILURE POINT WHERE THE ENHANCED ROCK CHECK DAM AND NATURAL GROUND MERGE.
- THE MAXIMUM SPACE BETWEEN ENHANCED ROCK CHECK DAMS SHOULD BE SUCH THAT THE TOE OF THE UPSTREAM IS AT THE SAME ELEVATION AS THE FLOW LINE OF THE WEIR OF THE DOWNSTREAM DAM. (SEE ROCK CHECK DAM SPACING GRAPH ON EC-STR-6)
- ONLY GEOTEXTILE FABRIC (TYPE III) LISTED ON THE QUALIFIED PRODUCTS LIST SHALL BE USED.
- PRODUCTS LISTED ON THE QUALIFIED PRODUCTS LIST FOR FILTER SOCK DITCH APPLICATION MAY BE USED AND SHALL BE PAID UNDER FOLLOWING ITEM NUMBER:  
 209-08.09 FILTER SOCK CHECK DAM PER EACH
- ENHANCED ROCK CHECK DAMS SHALL BE PAID FOR UNDER THE FOLLOWING ITEM NUMBER:  
 209-08.08 ENHANCED ROCK CHECK DAM PER EACH  
 PAYMENT SHALL INCLUDE ALL MATERIALS AND LABOR NECESSARY FOR CONSTRUCTION, MAINTENANCE, AND REMOVAL OF ENHANCED ROCK CHECK DAMS.
- SEDIMENT SHALL BE REMOVED FROM BEHIND THE ENHANCED ROCK CHECK DAM WHEN IT HAS ACCUMULATED TO ONE-HALF THE ORIGINAL HEIGHT OF THE STRUCTURE AND PAID FOR UNDER ITEM NUMBER 209-05, SEDIMENT REMOVAL PER CUBIC YARD.

□ MINOR REVISION -- FHWA APPROVAL NOT REQUIRED.

NOT TO SCALE

STATE OF TENNESSEE  
 DEPARTMENT OF TRANSPORTATION

ENHANCED  
 ROCK CHECK  
 DAM