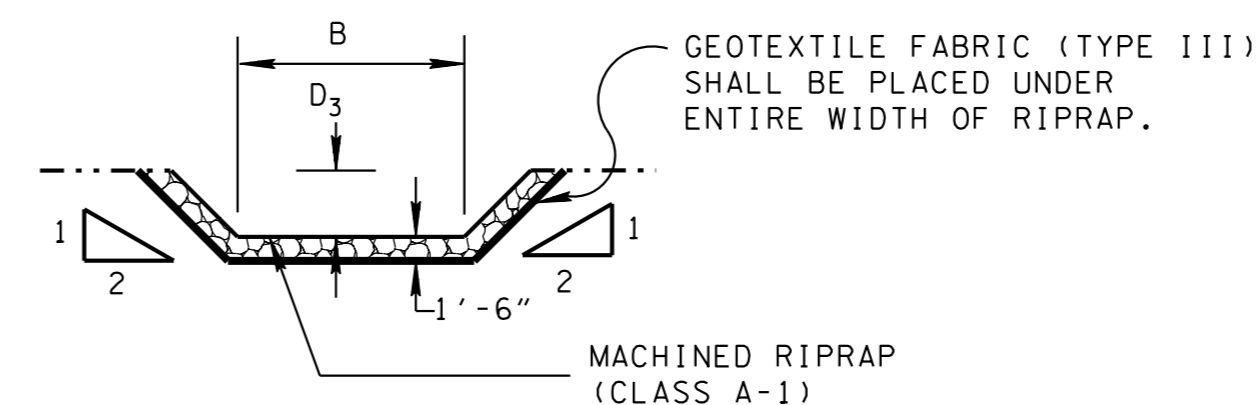
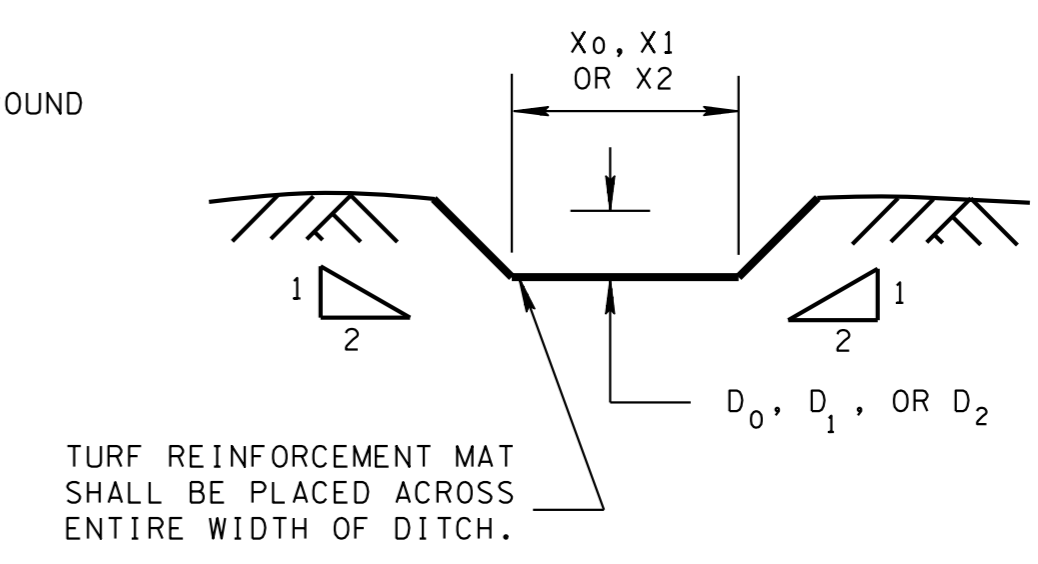
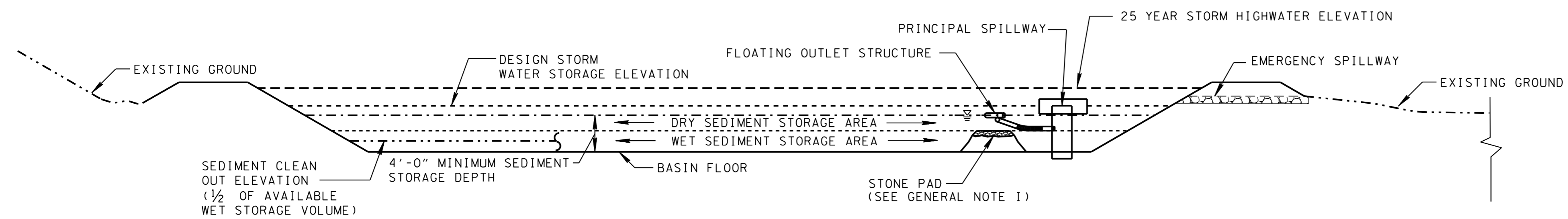
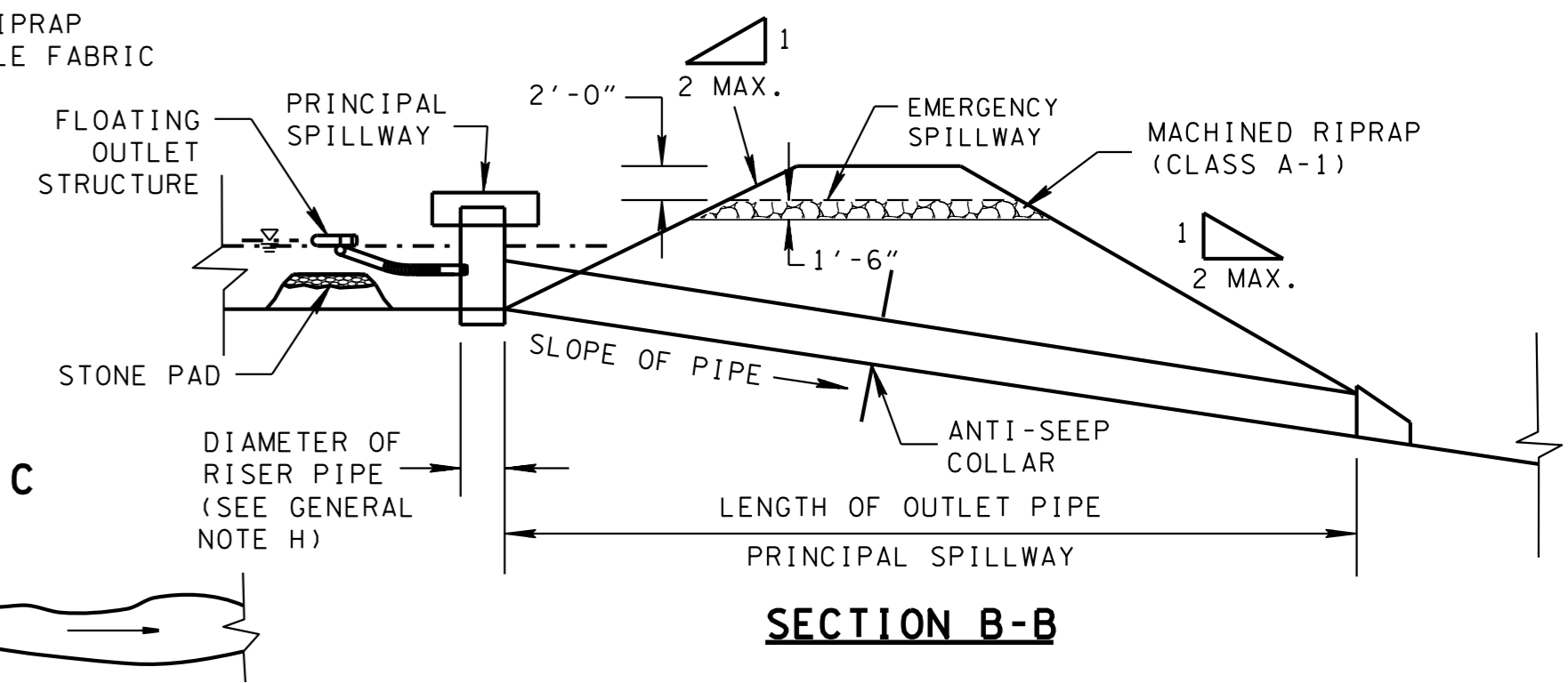
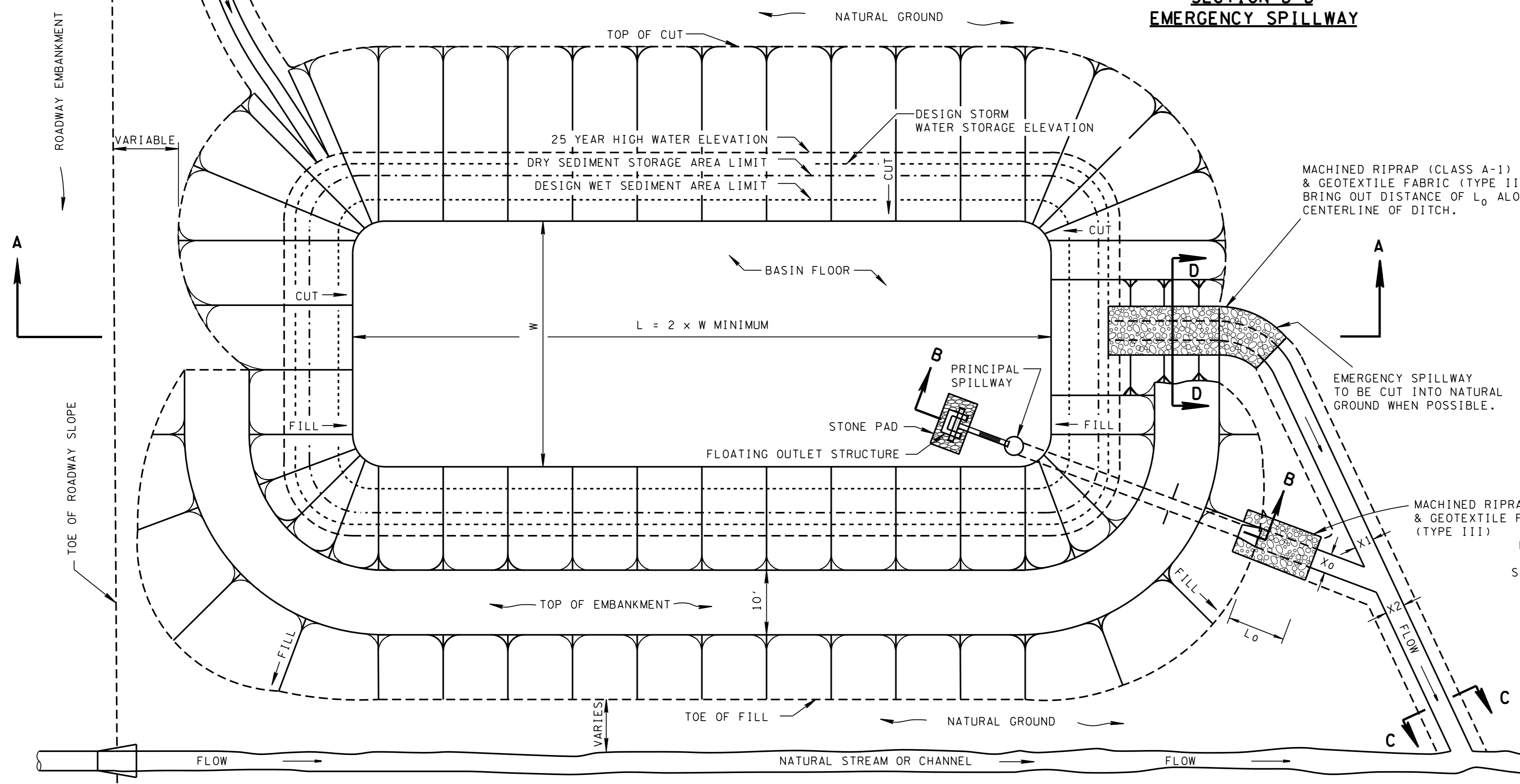


- REV. 12-18-95: CHANGED DRAWING NO. FROM ESC-STR-15 TO EC-STR-15.
- REV. 5-27-01: CHANGED REFERENCE TO RIP-RAP AND GEOTEXTILE FABRIC.
- REV. 4-15-06: REFORMATTED SHEET, REVISED NOTES, MISC. EDITS TO DRAWING. CHANGED DRAWING NAME.
- REV. 4-1-08: REVISED GENERAL NOTES, MISC. DRAFTING EDITS.
- REV. 8-1-12: REVISED GENERAL NOTES, ADDED FLOATING OUTLET STRUCTURE, ADDED GENERAL NOTES H AND I.



- SEDIMENT BASIN GENERAL NOTES**
- (A) SEDIMENT BASINS DETAIN STORMWATER RUNOFF FROM A DISTURBED AREA FOR AN EXTENDED TIME, ALLOWING SEDIMENT TO SETTLE WHICH REDUCES THE QUANTITY OF SEDIMENT IN THE STORMWATER RELEASED FROM THE BASIN.
 - (B) THE DRAINAGE AREA FOR A SEDIMENT BASIN SHALL NOT EXCEED 50 ACRES.
 - (C) FOR SITES WHICH DRAIN TO EXCEPTIONAL TENNESSEE WATERS OR SEDIMENT-IMPAIRED STREAMS, THE DESIGN STORM SHALL BE THE 5-YEAR EVENT. THE DESIGN MAY BE BASED ON THE 2-YEAR EVENT AT OTHER SITES.
 - (D) THE MINIMUM SEDIMENT STORAGE VOLUME BELOW THE DRY SEDIMENT STORAGE ELEVATION SHALL BE 134 CUBIC YARDS PER ACRE OF CONTRIBUTING DRAINAGE AREA.
 - (E) DAMS THAT CAN STORE AT LEAST 30 ACRE-FEET OF RUNOFF OR ARE TWENTY (20) FEET OR MORE IN HEIGHT MUST MEET THE REQUIREMENTS ESTABLISHED BY THE TENNESSEE SAFE DAM ACT.
 - (F) SEDIMENT BASINS MAY REMAIN IN PLACE AS PERMANENT BASINS, AS INDICATED IN THE PLANS OR AS DIRECTED BY THE ENGINEER. THE DESIGN FOR PERMANENT BASINS SHALL BE APPROVED BY THE HYDRAULIC SECTION OF THE STRUCTURES DIVISION.
 - (G) SEE STANDARD DRAWINGS EC-STR-16, EC-STR-17 AND EC-STR-18 FOR ADDITIONAL DETAILS AND GENERAL NOTES NOT SHOWN ON THIS DRAWING.
 - (H) WHERE ACCEPTABLE, THE SQUARE CONCRETE NO. 42 CATCH BASIN WITH GRATE UNIT NO. 42 MAY BE USED IN LIEU OF USING ROUND PIPE FOR THE RISER.
 - (I) TOP OF STONE PAD SHALL BE AT SAME ELEVATION AS THE TOP OF THE WET SEDIMENT STORAGE AREA.



□ MINOR REVISION -- FHWA APPROVAL NOT REQUIRED.

NOT TO SCALE

STATE OF TENNESSEE
DEPARTMENT OF TRANSPORTATION

SEDIMENT
BASIN

10-26-92 EC-STR-15

EROSION CONTROL PLAN LEGEND: SEDIMENT BASIN