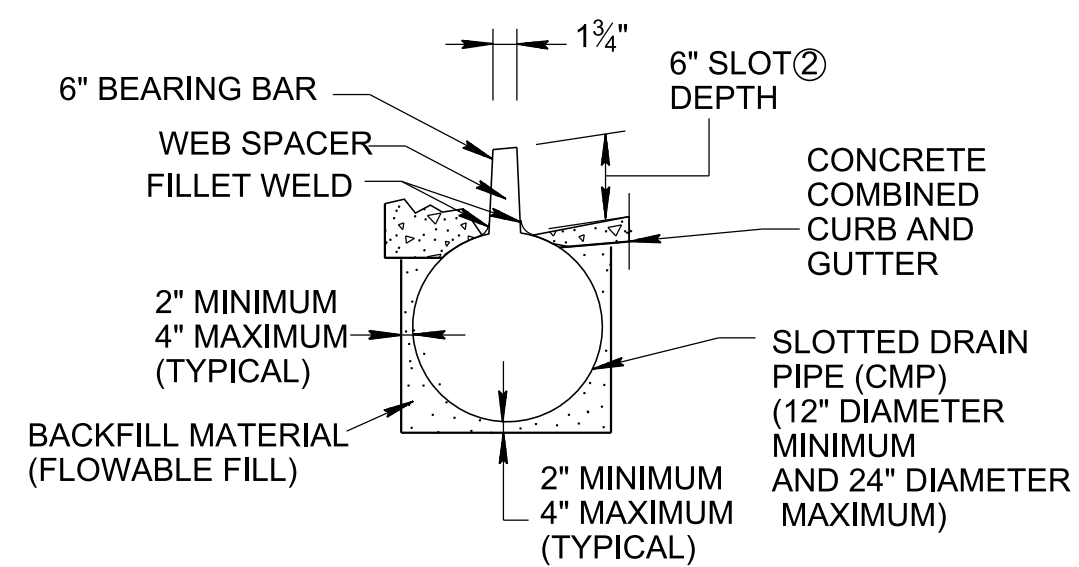


TYPICAL DETAIL FOR CONCRETE COMBINED CURB AND GUTTER

NOTES:

CONCRETE COMBINED CURB AND GUTTER TO BE PAID FOR UNDER ITEM NO. 702-03 CONCRETE COMBINED CURB AND GUTTER (C.Y.). PRICE PER C.Y. SHALL INCLUDE CURB AND GUTTER, TIE BARS, AND ALL OTHER ITEMS FOR TYING THE CURB AND GUTTER TO THE SLOTTED DRAIN.

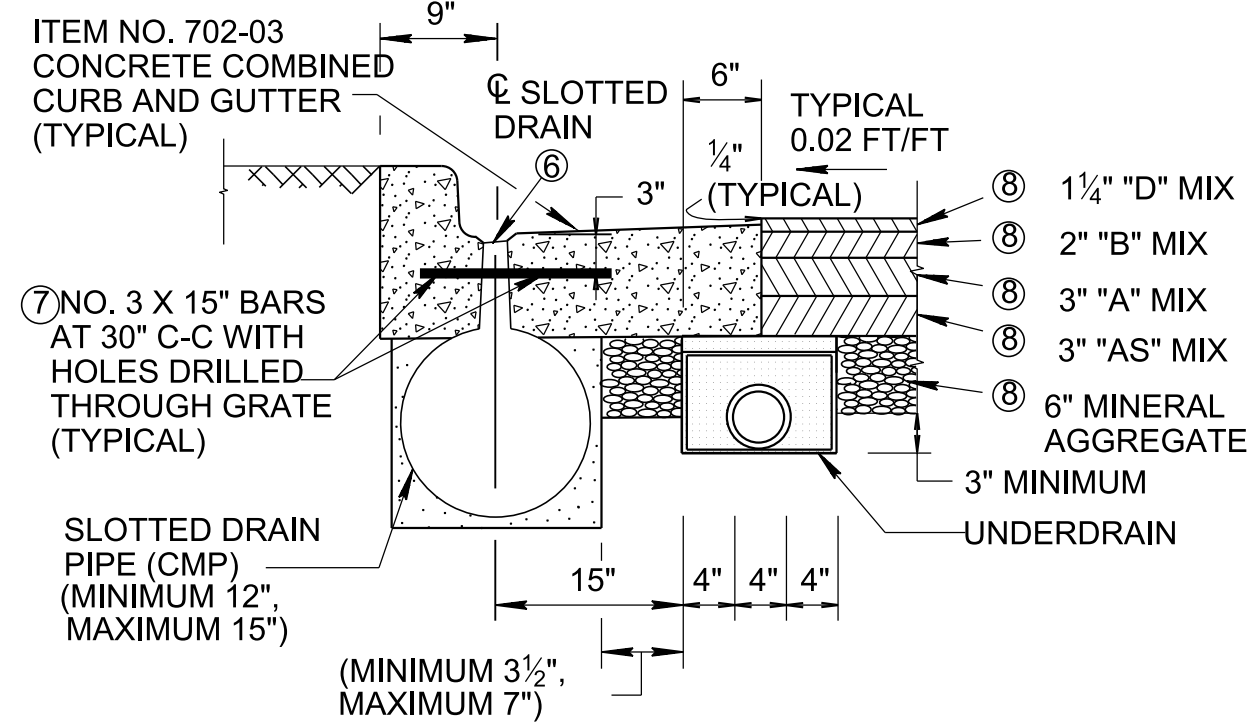
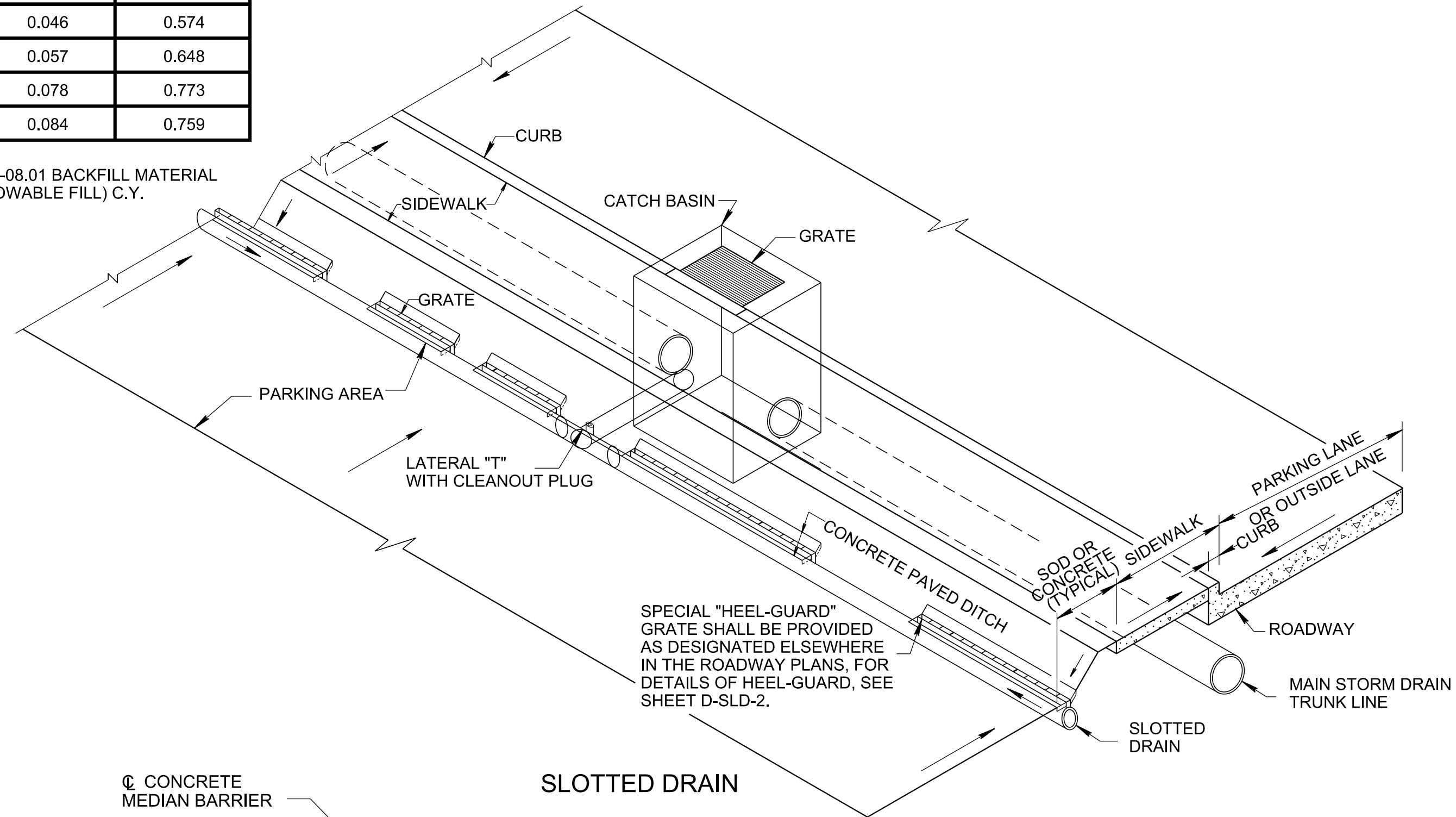
EXPANSION JOINTS SHALL BE PROVIDED AT 20' INTERVALS IN ACCORDANCE WITH SECTION 702.06 UNLESS OTHERWISE DIRECTED BY THE ENGINEER.



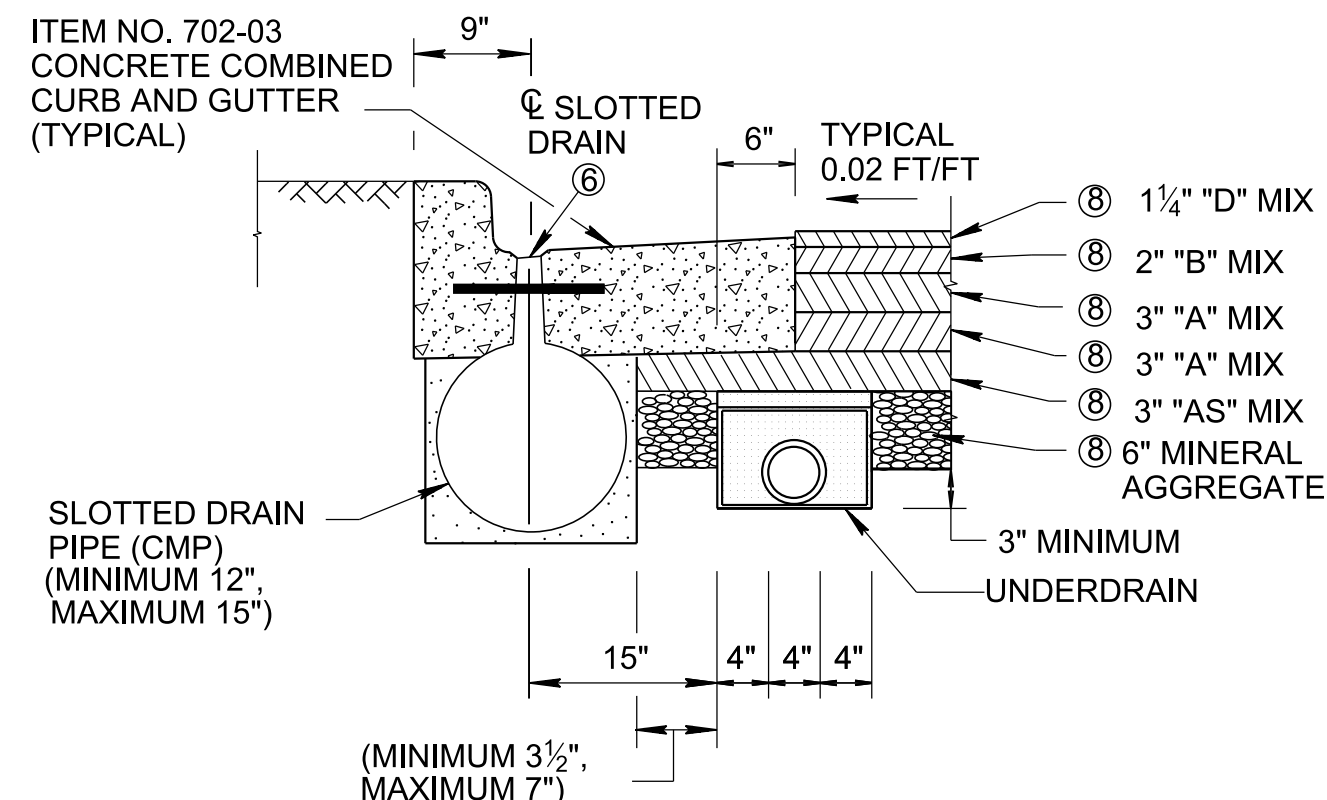
BACKFILL MATERIAL (FLOWABLE FILL) DETAIL AT SLOTTED DRAINS

ESTIMATED QUANTITIES BACKFILL MATERIAL (FLOWABLE FILL) ③ ④		
DIAMETER CMP	TOTAL VOLUME PER LINEAR FOOT (CUBIC YARD)	TOTAL VOLUME PER CLEANOUT PLUG OR TEE (CUBIC YARD)
12"	0.046	0.574
15"	0.057	0.648
18"	0.078	0.773
⑤ 24"	0.084	0.759

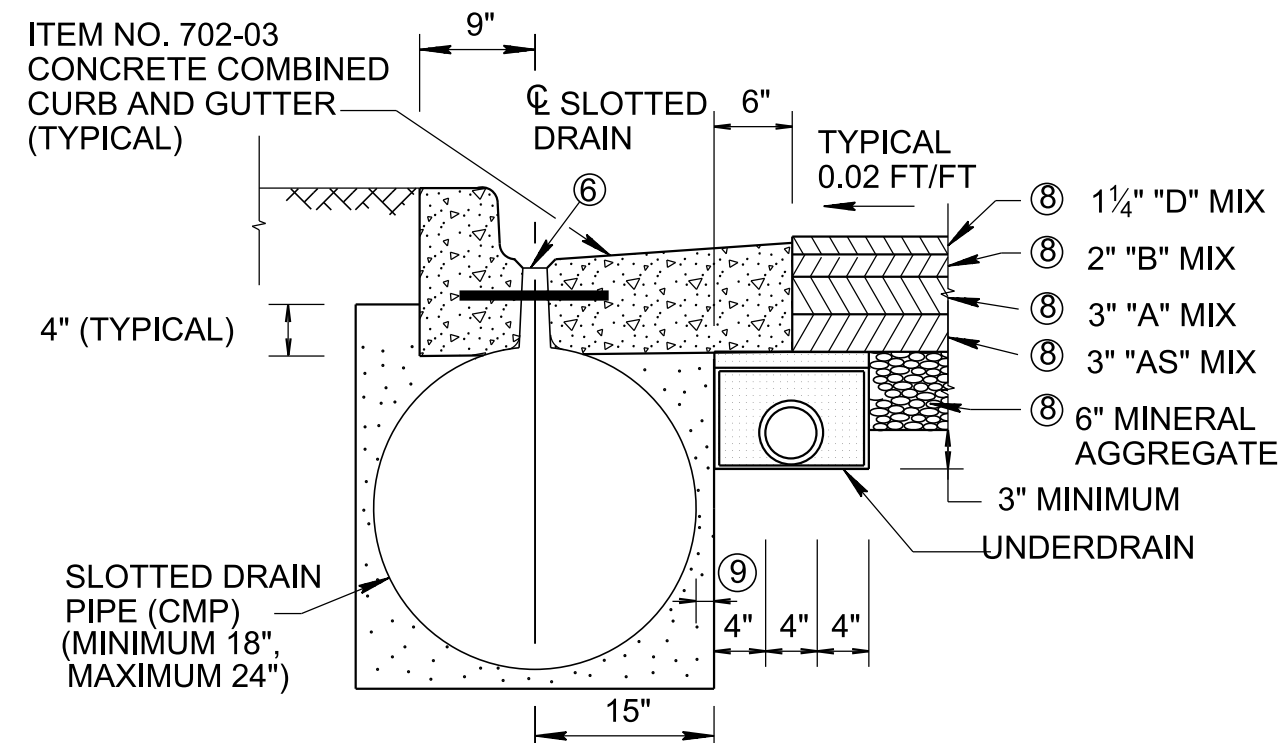
ITEM NO. 204-08.01 BACKFILL MATERIAL (FLOWABLE FILL) C.Y.



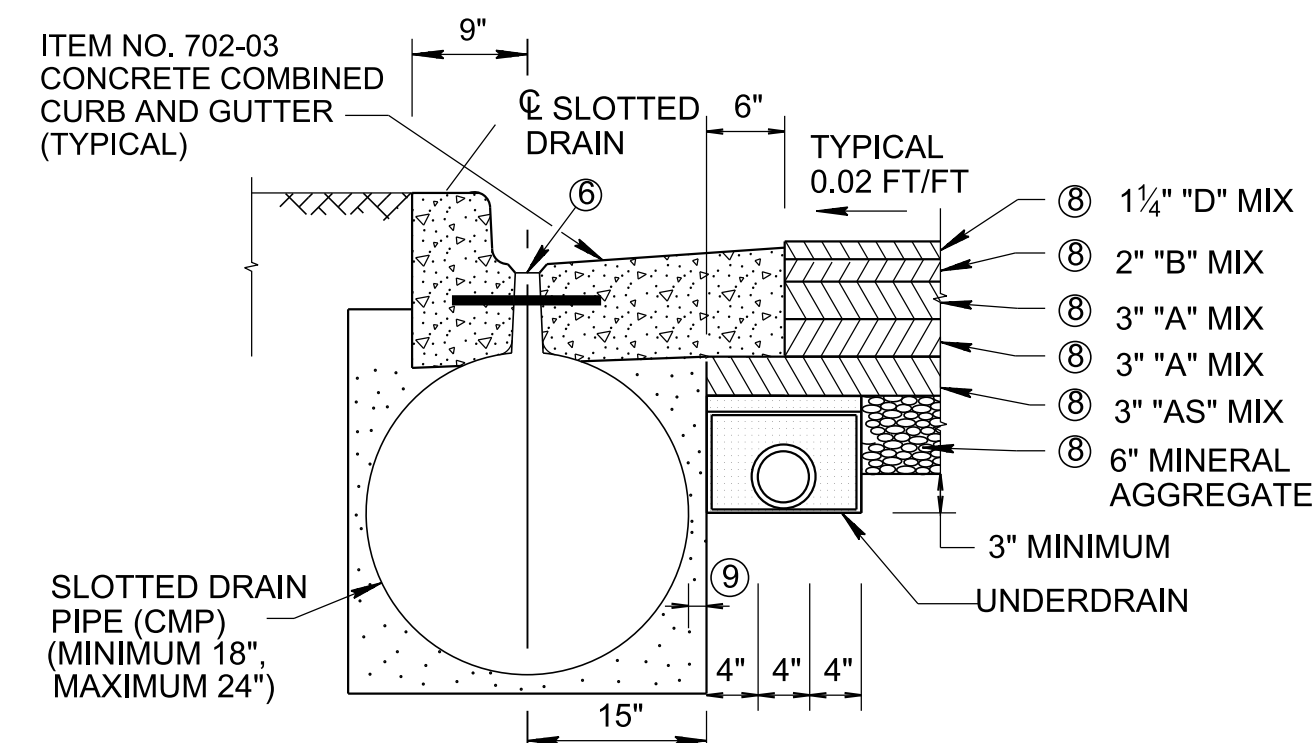
ROADWAY USE FOR SLOTTED DRAINS IN THIN PAVEMENT SECTIONS WITH MINIMUM 12" DIAMETER SLOTTED DRAIN PIPE



ROADWAY USE FOR SLOTTED DRAINS IN THICK PAVEMENT SECTIONS WITH MINIMUM 12" DIAMETER SLOTTED DRAIN PIPE



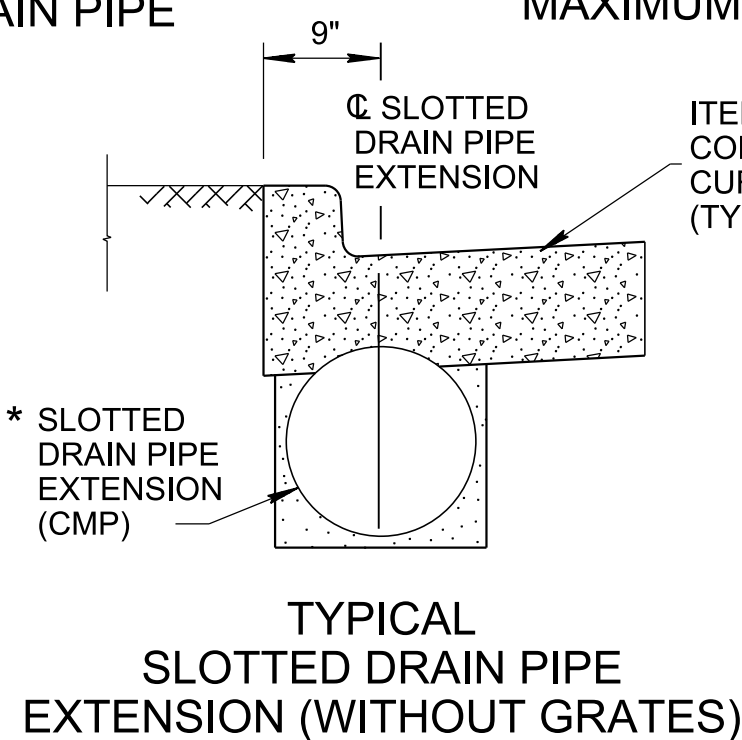
ROADWAY USE FOR SLOTTED DRAINS IN THIN PAVEMENT SECTIONS WITH MAXIMUM 24" DIAMETER SLOTTED DRAIN PIPE



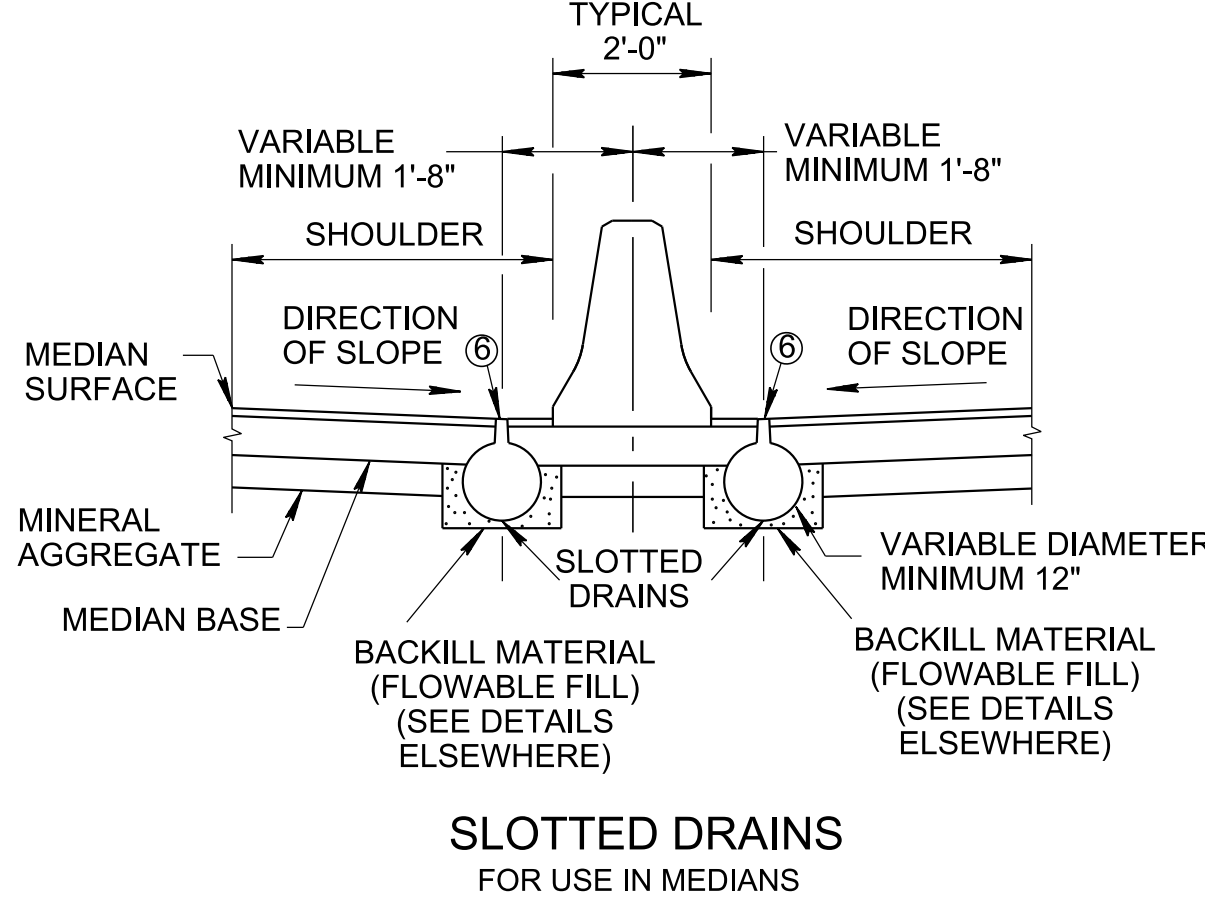
ROADWAY USE FOR SLOTTED DRAINS IN THICK PAVEMENT SECTIONS WITH MAXIMUM 24" DIAMETER SLOTTED DRAIN PIPE

* TO BE PAID FOR UNDER ITEM NO. 607-37.01 THROUGH ITEM NO. 607-37.05

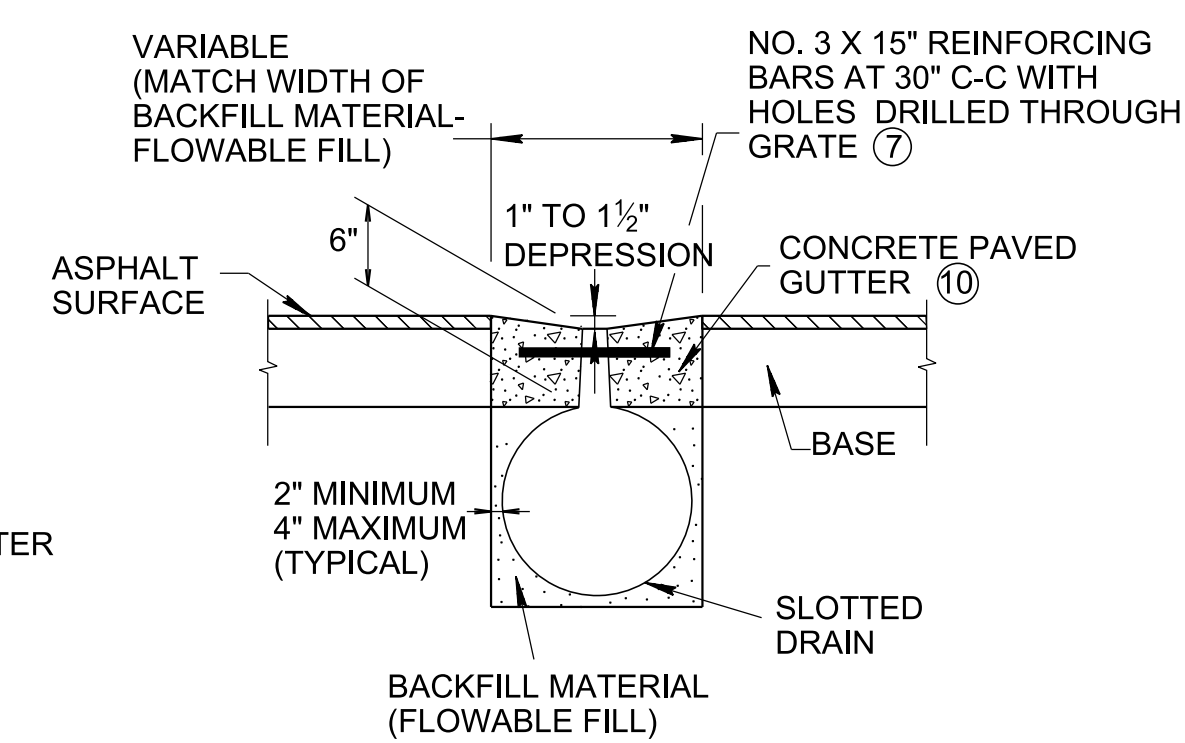
* SLOTTED DRAIN PIPE EXTENSION (CMP)



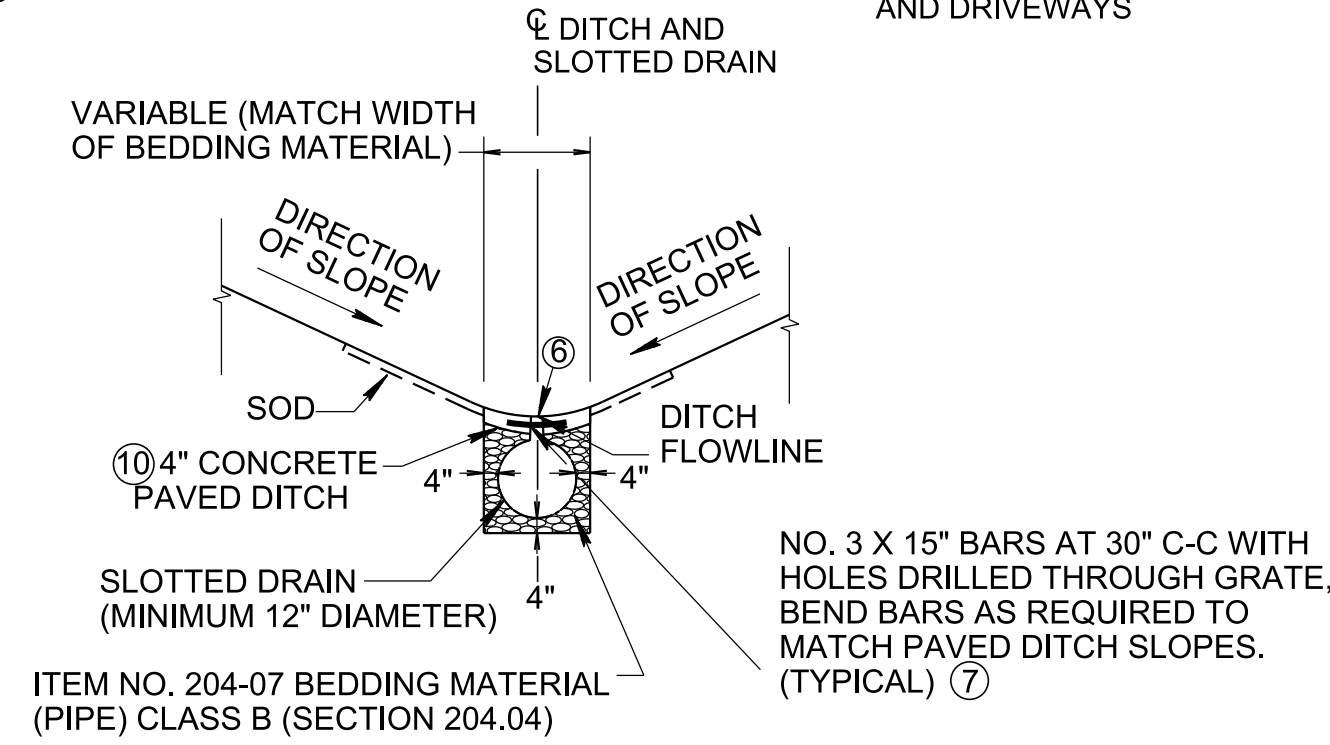
TYPICAL SLOTTED DRAIN PIPE EXTENSION (WITHOUT GRATES)



SLOTTED DRAINS FOR USE IN MEDIANS



SLOTTED DRAIN FOR USE IN PARKING AREAS AND DRIVEWAYS



SLOTTED DRAIN FOR USE IN DITCHES

NOTE: SEE SHEET D-SLD-2 AND D-SLD-3 FOR ADDITIONAL DETAILS

REV. 10-26-95: CHANGED DESCRIPTION OF PAY ITEM NO. 204-08.01.
 REV. 7-29-96: CHANGED LOCATION OF UNDERDRAINS IN CURB AND GUTTER DETAILS.
 REV. 10-26-96: CHANGED ALL REFERENCE OF ITEM NO. 702-03.05 TO 702-03.
 REV. 12-18-97: CHANGED REFERENCE THROUGHOUT DRAWING OF FLOWABLE MORTAR TO BACKFILL MATERIAL (FLOWABLE FILL).
 REV. 5-27-01: MODIFIED PAY ITEMS.
 REV. 2-2-16: CORRECTED PAY ITEM NUMBER FOR FLOWABLE FILL.
 REV. 02-20-2020: REDREW SHEET.

STATE OF TENNESSEE
 STANDARD DRAWING
 DEPARTMENT OF TRANSPORTATION

SLOTTED DRAINS