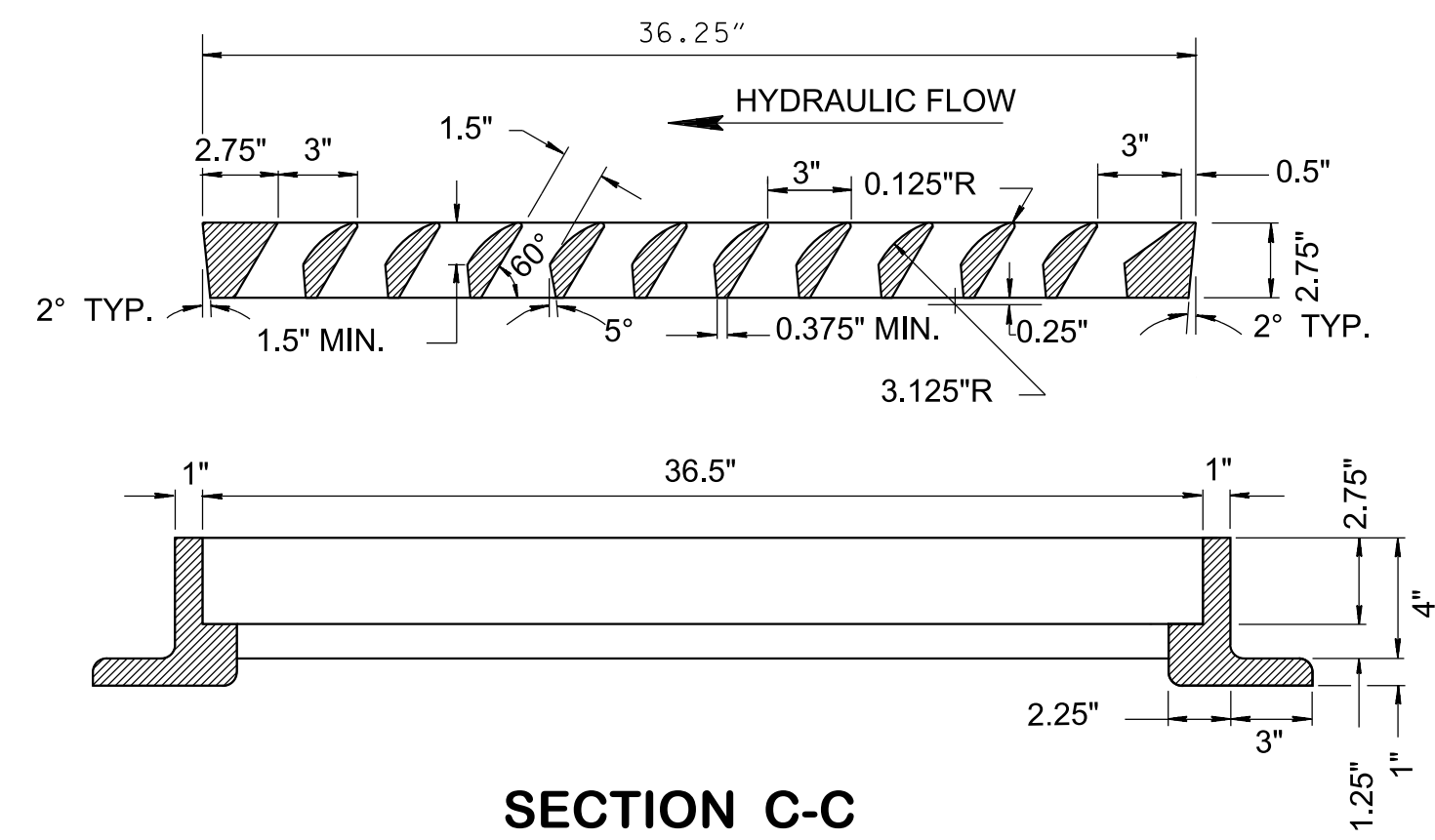
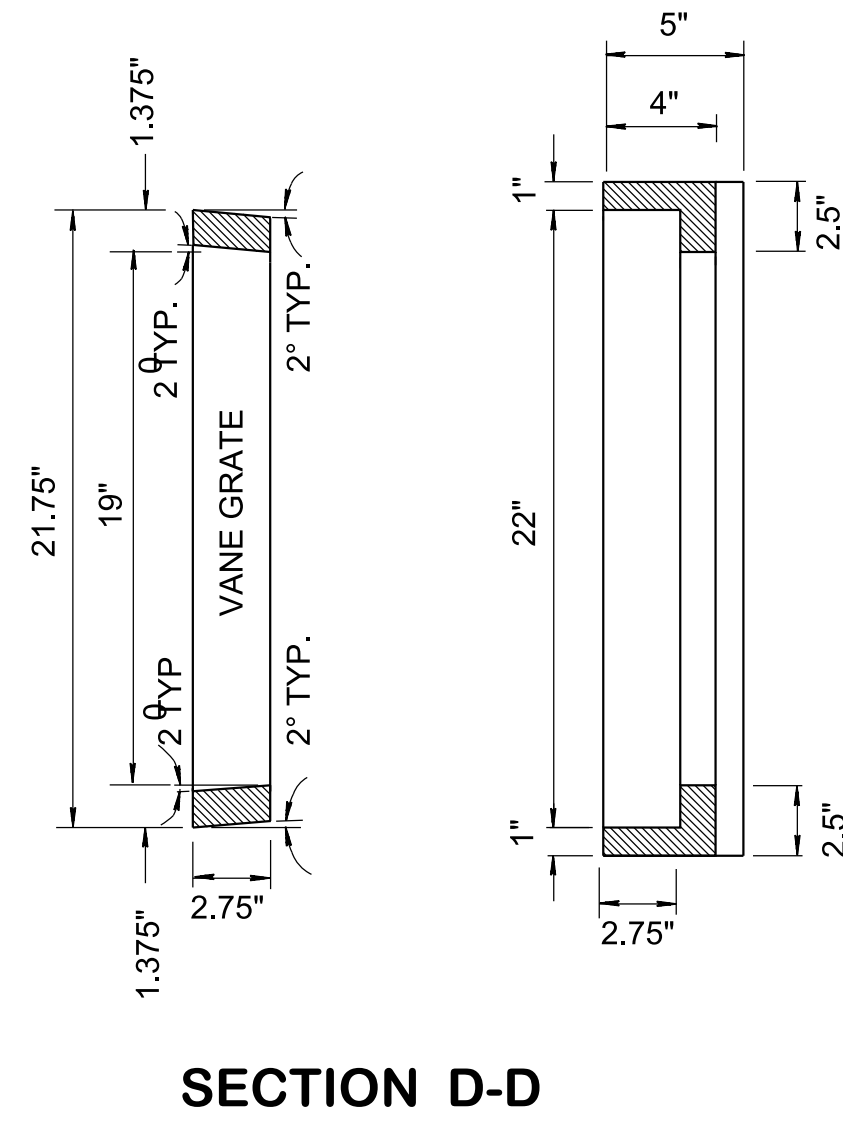
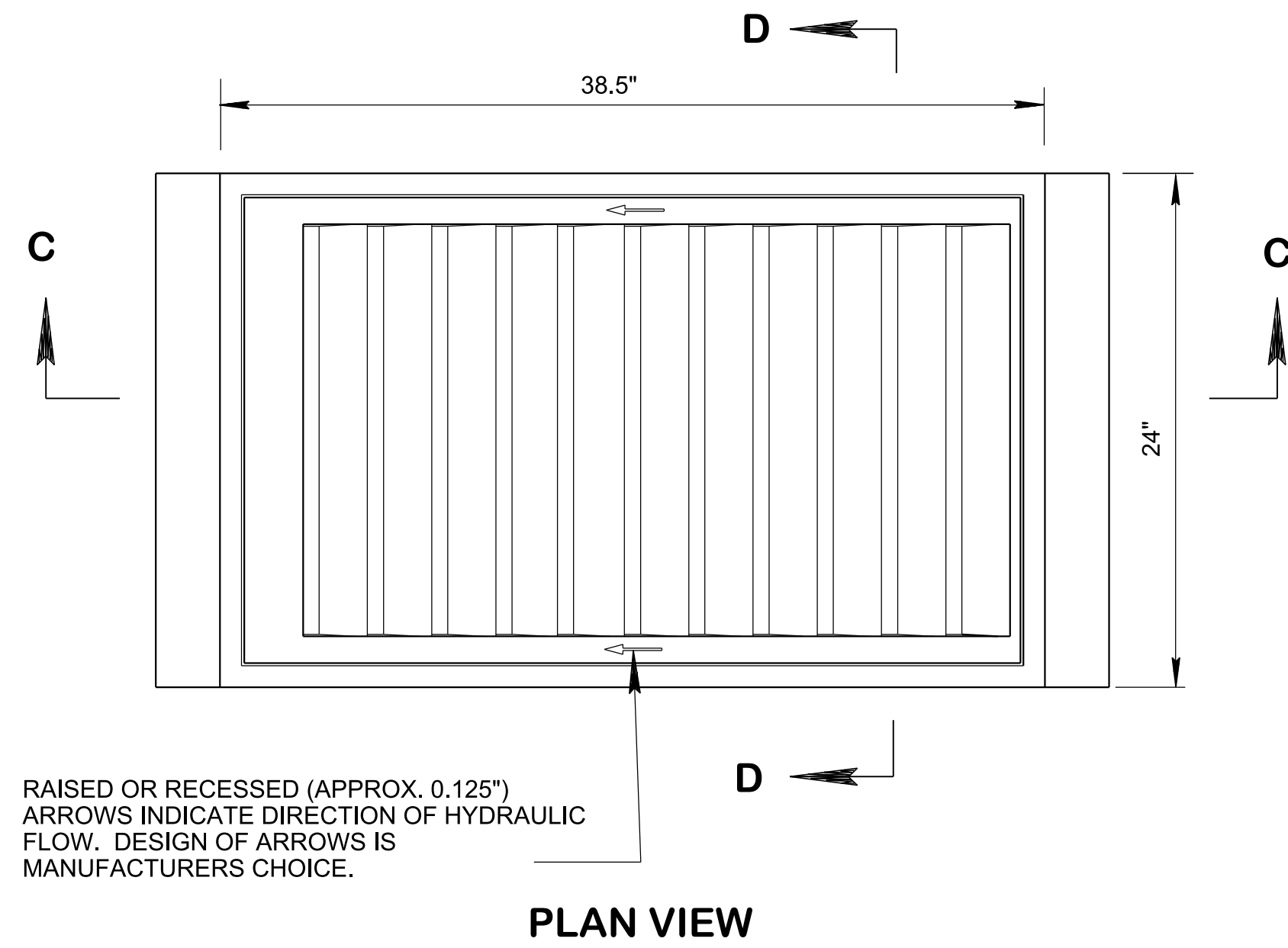
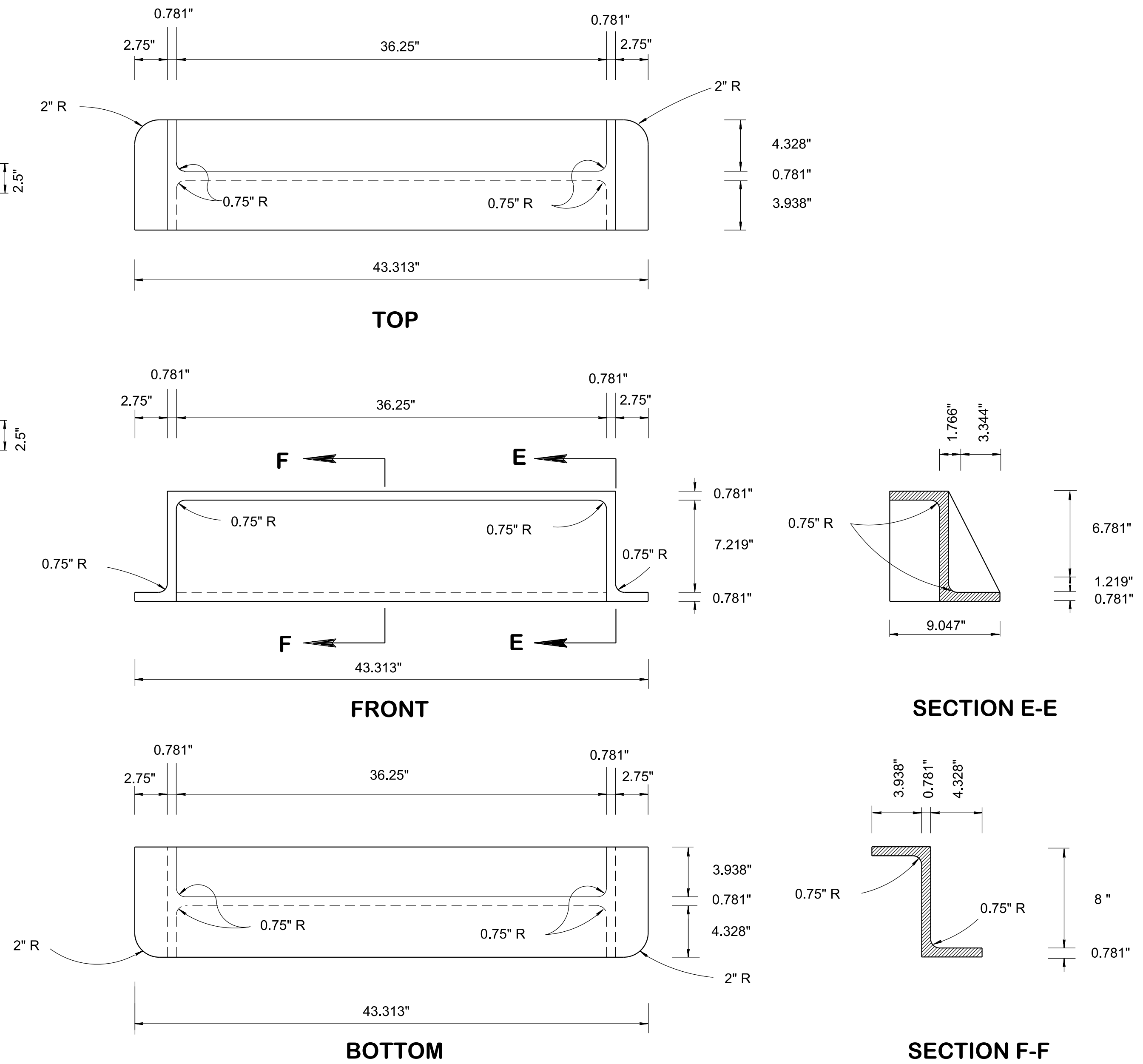


GRATE AND FRAME DETAILS



CURB INLET CASTING



FRACTION TABLE

3/64" - 0.047"	1/2" - 0.500"
1/8" - 0.125"	5/8" - 0.625"
1/4" - 0.250"	11/16" - 0.688"
7/32" - 0.219"	3/4" - 0.750"
5/16" - 0.313"	49/64" - 0.766"
21/64" - 0.328"	25/32" - 0.781"
11/32" - 0.344"	7/8" - 0.875"
3/8" - 0.375"	15/16" - 0.938"

WEIGHTS FOR SINGLE GRATE CATCH BASIN

FRAME -----	265 LBS.
GRATE -----	250 LBS.
CURB INLET -----	185 LBS.
TOTAL -----	700 LBS.

GENERAL NOTES

- (A) WHEN CURB OPENING IN CONCRETE MEDIAN BARRIER WALL IS REQUIRED USE THIS DRAWING ON ALL VARIATIONS OF NUMBER 31, 41, 45, 46, AND 51 CATCH BASINS CONTAINED IN THIS SECTION OF THE STANDARD DRAWINGS.
- (B) FOR CLEARNESS, ALL CORNERS ARE SHOWN ON THIS DRAWING BY STRAIGHT LINES WITH THE EXCEPTION OF THE 1" RADIUS AT THE TOP OF FACE OF CURB. ALL INSIDE CORNERS SHOULD BE MADE WITH 1/2" X 1/2" FILLETS OR 3/4" RADIUS FILLETS FOR EASE IN MOLDING.
- (C) IF PAID FOR SEPARATELY CAST IRON USED IN CASTINGS IS TO BE PAID FOR UNDER ITEM NO. 611-03.04 GRAY IRON CASTINGS (CATCH BASIN) LB.
- (D) IF CATCH BASIN IS PAID FOR UNDER EACH, THEN COST OF CAST IRON USED IN CASTINGS IS TO BE PAID FOR UNDER THE SPECIFIC ITEM BID FOR THAT CATCH BASIN. SEE STANDARD DRAWINGS FOR TYPE 31, 41, 45, 46, AND 51 CATCH BASINS FOR APPLICABLE PAY ITEMS FOR EACH TYPE OF CATCH BASIN.

- REV. 10-26-95: CHANGED GENERAL NOTE (A).
- REV. 1-19-96: CHANGED SHEET NAME AND GENERAL NOTE (A).
- REV. 10-26-96: ELIMINATED 0.875" HOLE IN BACK SUPPORT OF CURB INLET CASTING.
- REV. 11-15-99: MODIFIED FIRST GENERAL NOTE.
- REV. 10-26-00: MODIFIED FIRST GENERAL NOTE AND CHANGED DRAWING NAME.
- REV. 5-27-01: CHANGED GENERAL NOTE (D).
- REV. 02-20-2020: REDREW SHEET.

STATE OF TENNESSEE
STANDARD DRAWING
DEPARTMENT OF TRANSPORTATION

TYPE "B" CAST IRON FRAME, GRATE & INLET DETAILS FOR NOS. 31, 41, 45, 46 & 51 TYPE CATCH BASINS

3/23/2020 9:22:54 AM C:\Users\jj005471\Desktop\10-102.00 Catch Basins and Manholes IP\102.01 Catch Basins IP\DCBB31-20200220.dgn