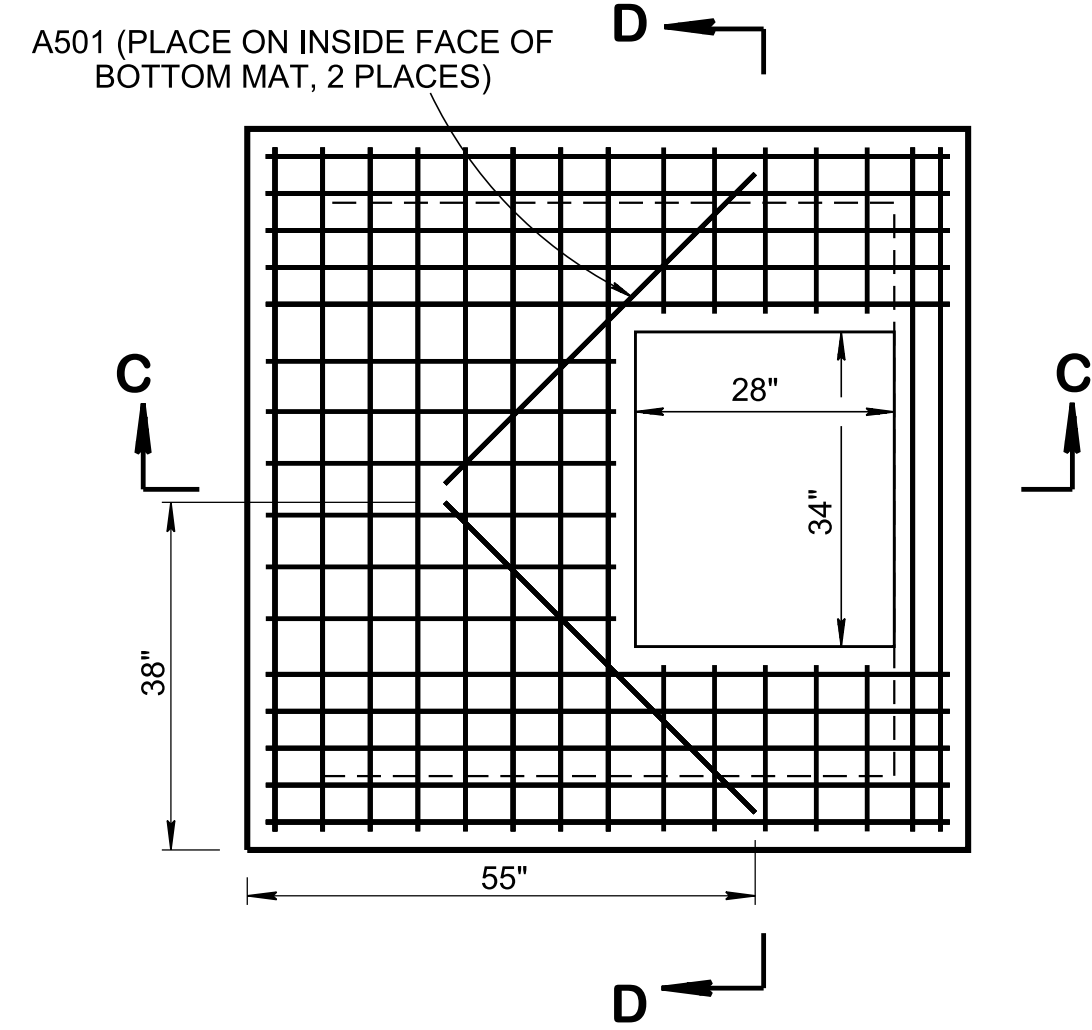
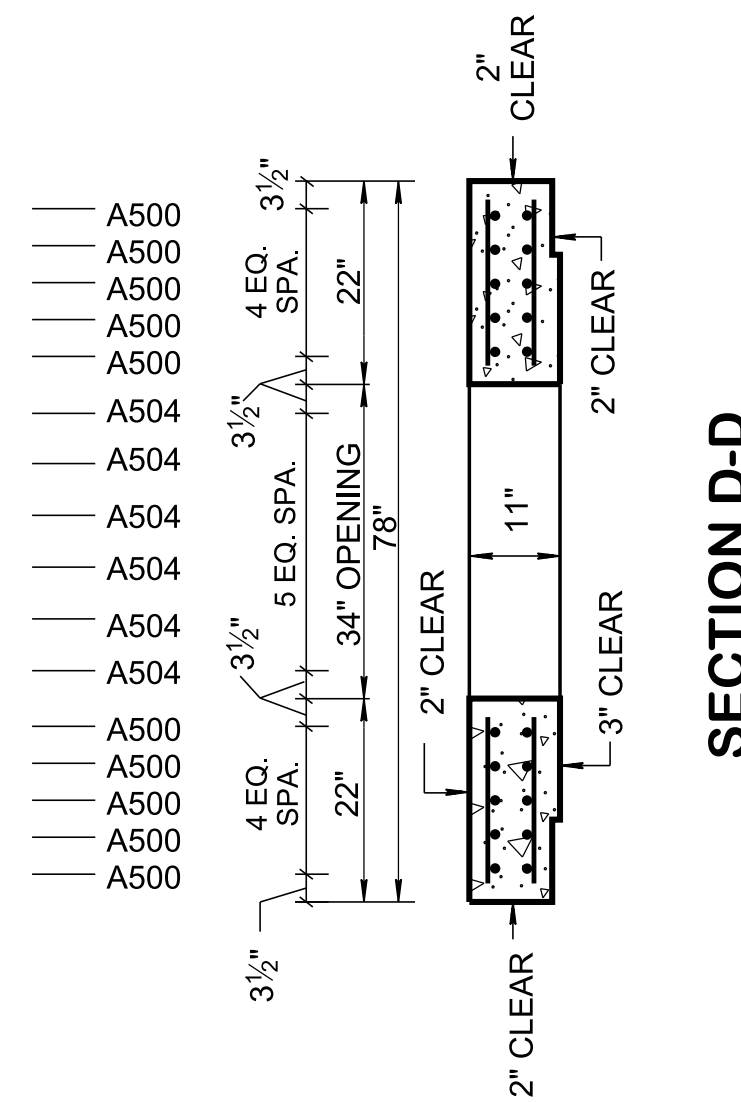


PLAN VIEW



LID REINFORCING

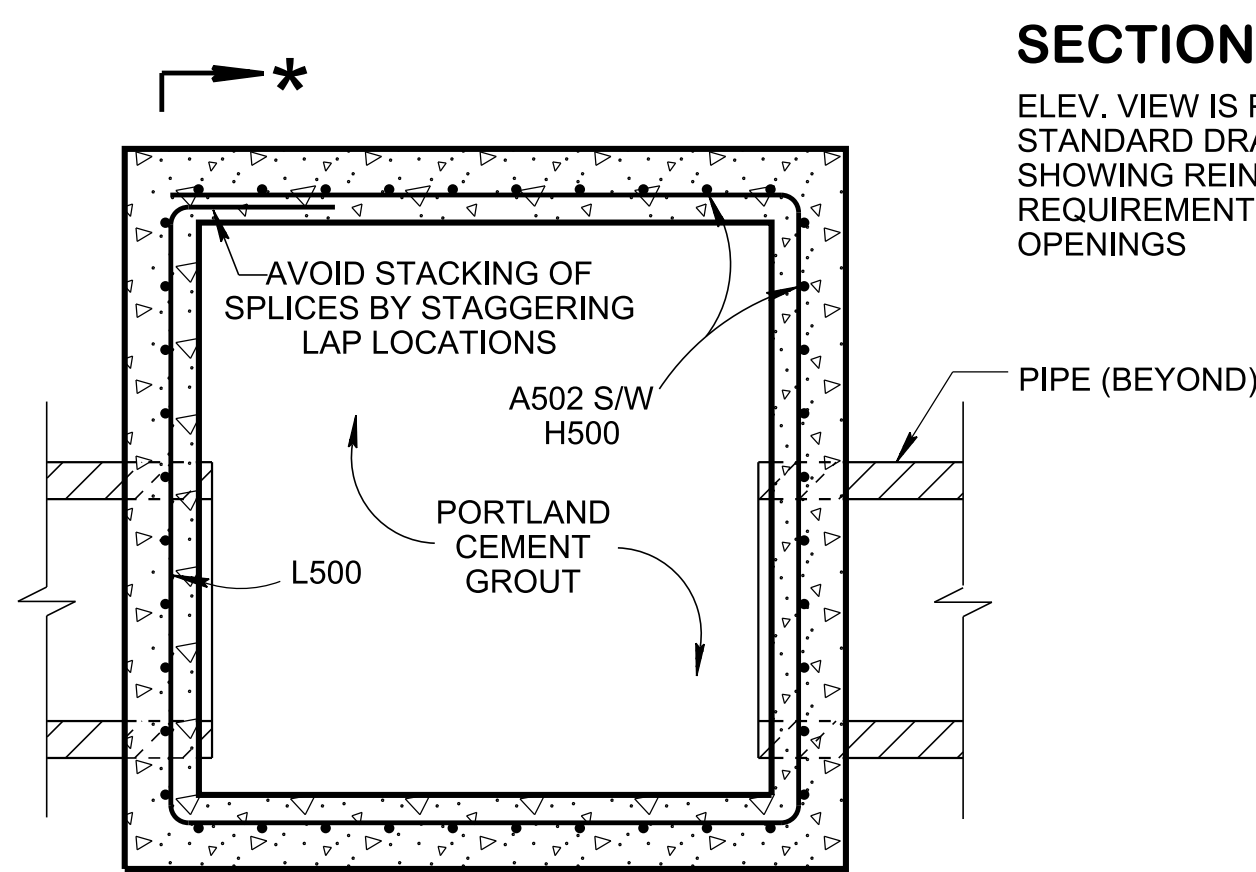


SECTION D-D

CATCH BASIN MAXIMUM DEPTH NOTE
 MAXIMUM DEPTH FOR THIS STRUCTURE IS 28.00'.

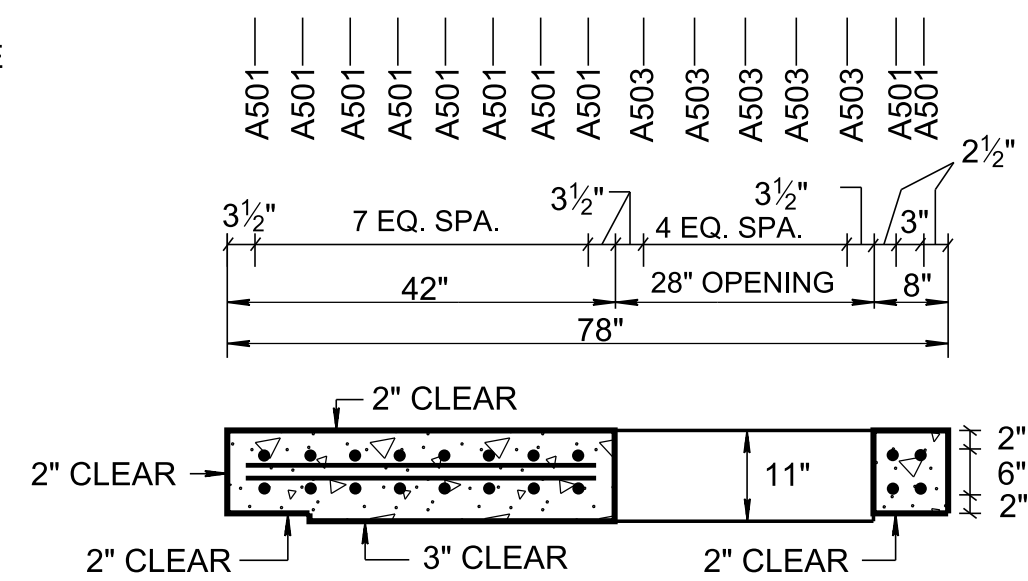
CATCH BASIN DIMENSIONS				FOR DESIGN USE ONLY CATCH BASIN MINIMUM DESIGN DEPTH (FEET)
INSIDE DIAMETER (D) OF PIPE (INCHES)	PIPE WALL THICKNESS (INCHES)	DIAMETER OF CUT-OUT HOLES (INCHES)	BOX SECTION MINIMUM HEIGHTS (INCHES)	
18	2½	25	55½	4.12
24	3	32	62½	4.66
30	3½	39	69½	5.20
36	4	46	76½	5.74
42	4½	53	83½	6.29
48	5	60	90½	6.83

- ① CUT-OUT HOLES BASED ON REINFORCED CONCRETE PIPE WITH WALL TYPE "B".
- ② ALL FLEXIBLE PIPE MATERIALS REQUIRE GASKET. SEE STANDARD DRAWING D-PB-2.
- ③ CUT-OUT HOLES FOR PRECAST STRUCTURES TO BE FORMED IN ORDER TO OBTAIN A SMOOTH EDGED HOLE. SCORED OR ETCHED HOLES WITH REINFORCING STEEL LEFT UN-CUT WILL NOT BE PERMITTED.

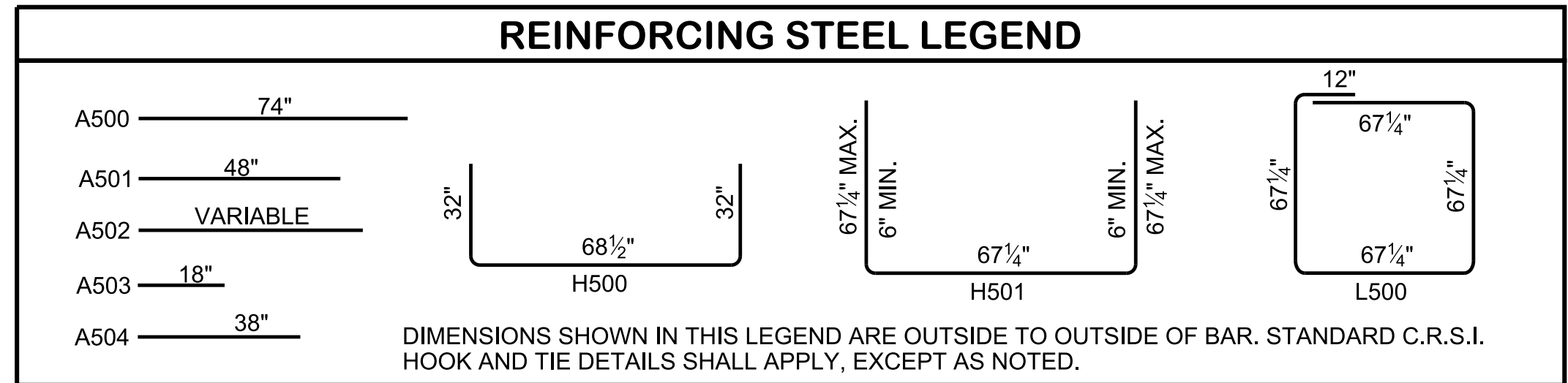


SECTION E-E

SECTION *-*
 ELEV. VIEW IS PROVIDED ON STANDARD DRAWING D-CB-99 SHOWING REINFORCEMENT REQUIREMENTS AROUND PIPE OPENINGS



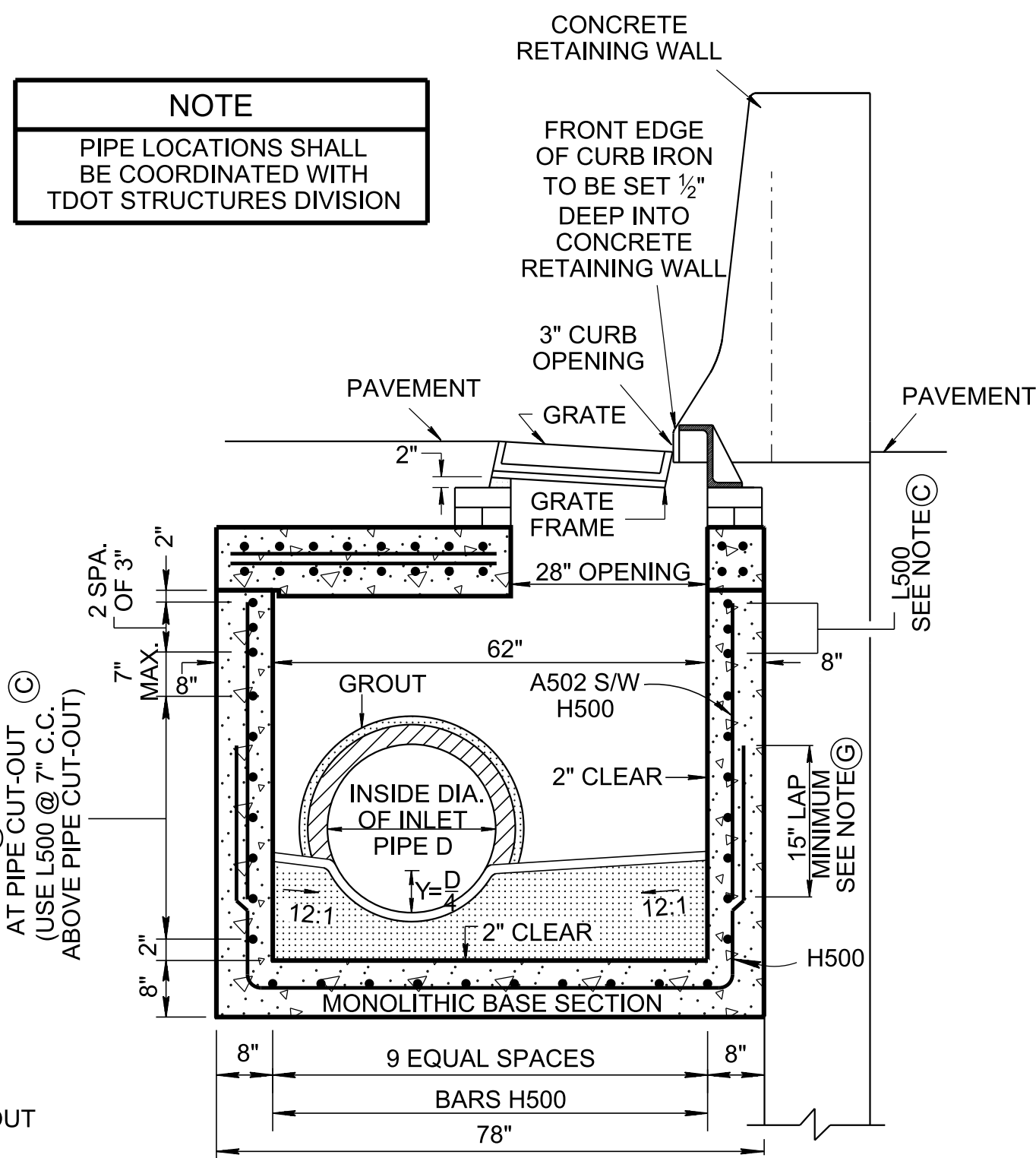
SECTION C-C



GENERAL NOTES

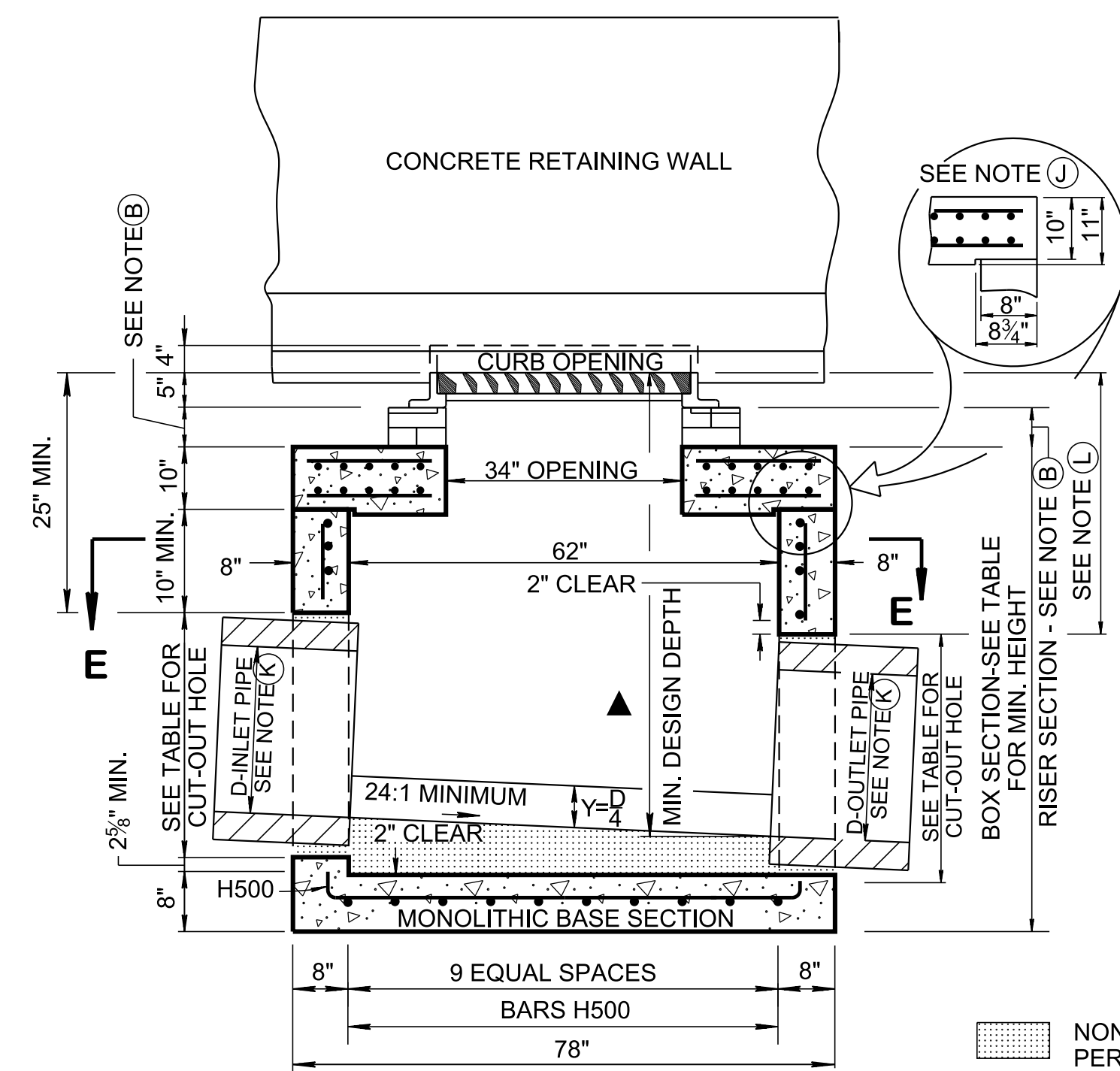
- (A) DRAWING TO BE USED FOR ALL CAST-IN-PLACE NO. 51SC CONCRETE CATCH BASINS AND ALL PRECAST NO. 51SC CONCRETE CATCH BASINS. SEE STANDARD DRAWING D-CB-99 FOR ADDITIONAL CONSTRUCTION NOTES & DETAILS.
- (B) THIS DIMENSION MAY VARY FROM A MINIMUM OF 0 INCHES TO A MAXIMUM OF 24 INCHES AS LONG AS 25 INCHES IS SATISFIED. THE CONTRACTOR HAS THE OPTION OF USING BRICK OR STANDARD PRECAST CONCRETE RISER FRAMES. THE USE OF BRICK SHALL BE LIMITED TO 6 INCHES. IF THIS DIMENSION EXCEEDS 6 INCHES, PRECAST CONCRETE RISER FRAMES SHALL BE USED AS SHOWN ON STANDARD DRAWING D-RF-1.
- (C) THIS DRAWING DEPICTS THE MINIMUM HORIZONTAL REINFORCING AT THE TOP OF CATCH BASIN WALLS. SEE ADDITIONAL DETAILS ON STANDARD DRAWING D-CB-99 FOR TALLER SECTIONS AND STEEL PLACEMENT ABOVE PIPE OPENINGS.
- (D) CAST-IN-PLACE CONCRETE CATCH BASINS SHALL BE CONSTRUCTED IN ACCORDANCE WITH STANDARD SPECIFICATIONS, SECTION 611 AND/OR SPECIAL PROVISIONS UNLESS SUPERSEDED BY THIS DRAWING. THE CONTRACTOR MAY WITH PERMISSION FROM THE ENGINEER SUBSTITUTE PRECAST CATCH BASINS FOR CAST-IN-PLACE CATCH BASINS PROVIDED THAT ALL PRECAST ELEMENTS MEET ASTM C913 (CURRENT EDITION) UNLESS SUPERSEDED BY THIS DRAWING.
- (E) THE FOLLOWING MATERIAL PROPERTIES ARE REQUIRED FOR BOTH CAST-IN-PLACE AND PRECAST STRUCTURES:
 CONCRETE: $f_c = 4,000$ POUNDS PER SQUARE INCH AT 28 DAYS
 REINFORCING STEEL: ASTM A615, $F_y = 60,000$ POUNDS PER SQUARE INCH
 ALL REINFORCING IS TO BE INSTALLED AS DETAILED ON THIS DRAWING.
- (F) PRECAST CATCH BASIN UNITS WHICH ARE DAMAGED DURING SHIPMENT OR INSTALLATION WILL BE REJECTED. IT SHALL BE THE RESPONSIBILITY OF THE CONTRACTOR TO REPLACE DAMAGED CATCH BASIN UNITS AT THEIR OWN EXPENSE.
- (G) THE CONTRACTOR MAY ELIMINATE THE A502 BARS BY LENGTHENING THE VERTICAL LEG OF THE H500/H501 BARS SO THAT 1½ INCHES OF CLEAR COVER IS PROVIDED AT THE TOP OF THE STRUCTURE.
- (H) APPROPRIATE SIZING AND LOCATION OF LIFTING DEVICES SHALL BE THE RESPONSIBILITY OF THE FABRICATOR.
- (I) THE CONTRACTOR IS TO PATCH ALL LIFTING DEVICE HOLES WITH GROUT AND PLACE A MINIMUM OF ONE (1) INCH OF COVER OVER THE HARDWARE OF THESE DEVICES ON BOTH TOP AND BOTTOM SURFACES.
- (J) ALTERNATIVE JOINT DETAILS MAY BE ACCEPTABLE. SEE STANDARD DRAWING D-CB-99 FOR ADDITIONAL DETAILS.
- (K) SEE ROADWAY PLANS DRAINAGE TABULATION FOR PIPE INLET AND OUTLET ELEVATIONS. IF NEEDED, INVERT ELEVATIONS MAY BE ADJUSTED AS DIRECTED BY THE ENGINEER IN ORDER TO ACCOMMODATE INLET AND OUTLET PIPES.
- (L) FOR CASES WHERE THE OUTLET PIPE DIAMETER IS LARGER THAN THE INLET PIPE DIAMETER, A MINIMUM 25 INCH DEPTH SHALL BE MAINTAINED ABOVE THE OUTLET PIPE.
- (M) SEE STANDARD DRAWING D-CBB-31 FOR DETAILS REGARDING CAST IRON GRATES.
- (N) PAY DEPTH MEASUREMENT MADE FROM TOP OF GRATE TO OUTLET FLOW ELEVATION. PAYMENT INCLUDES RISER SECTION AND GRATE. PAYMENT FOR CATCH BASIN WILL BE MADE UNDER ITEM NUMBERS:

611-51.02, CATCH BASINS, TYPE 51, > 4'-8" DEPTH, EACH, (THROUGH)
 611-51.07, CATCH BASINS, TYPE 51, > 24'-28" DEPTH, EACH.



SECTION B-B

NOTE
 PIPE LOCATIONS SHALL BE COORDINATED WITH TDOT STRUCTURES DIVISION



SECTION A-A

NON-SHRINK GROUT PER STANDARD SPECIFICATIONS SECTION 921 REQUIRED AROUND PIPE OPENINGS ONLY

- REV. 5-27-01: CHANGED PAY ITEMS IN GENERAL NOTE (N). ADDED CATCH BASIN MAXIMUM DEPTH NOTE.
- REV. 7-29-02: CHANGED ASTM SPECIFICATION IN GENERAL NOTE (C).
- REV. 9-11-02: CHANGED REINFORCING STEEL IN BASE SECTION.
- REV. 8-01-12: REVISED CATCH BASIN FOR COMPLIANCE WITH AASHTO LRFD BRIDGE DESIGN SPECIFICATIONS, 4TH EDITION WITH INTERIMS. REVISED REINFORCING, GENERAL NOTES, LEGEND AND ADDITIONAL MISC. DRAFTING EDITS.
- REV. 9-24-12: MODIFIED TOP SLAB AND MINIMUM DEPTH.
- REV. 3-11-14: ELIMINATED STIRRUPS.
- REV. 05-15-18: REVISED CATCH BASIN MINIMUM DESIGN DEPTH VALUES. CORRECTED STANDARD SPECIFICATIONS SECTION NUMBER TO 921 FOR NON-SHRINK GROUT. ADDED DIMENSION IN SECTION VIEW A-A FOR NOTE (E). CORRECTED REBAR PLACEMENT IN LIDS. ADDED DIMENSION IN SECTION VIEW A-A FOR MINIMUM DESIGN DEPTH. ADJUSTED BOX SECTION MINIMUM HEIGHTS.
- REV. 02-20-2020: REDREW SHEET.

APPROVED BY FHWA
 (ALL OTHERS APPROVED BY TDOT)

STATE OF TENNESSEE
 STANDARD DRAWING
 DEPARTMENT OF TRANSPORTATION

STANDARD
 5'2"X5'2" SQUARE
 CONCRETE NO. 51
 CATCH BASIN
 (FOR USE IN FRONT OF CONCRETE RETAINING WALL)