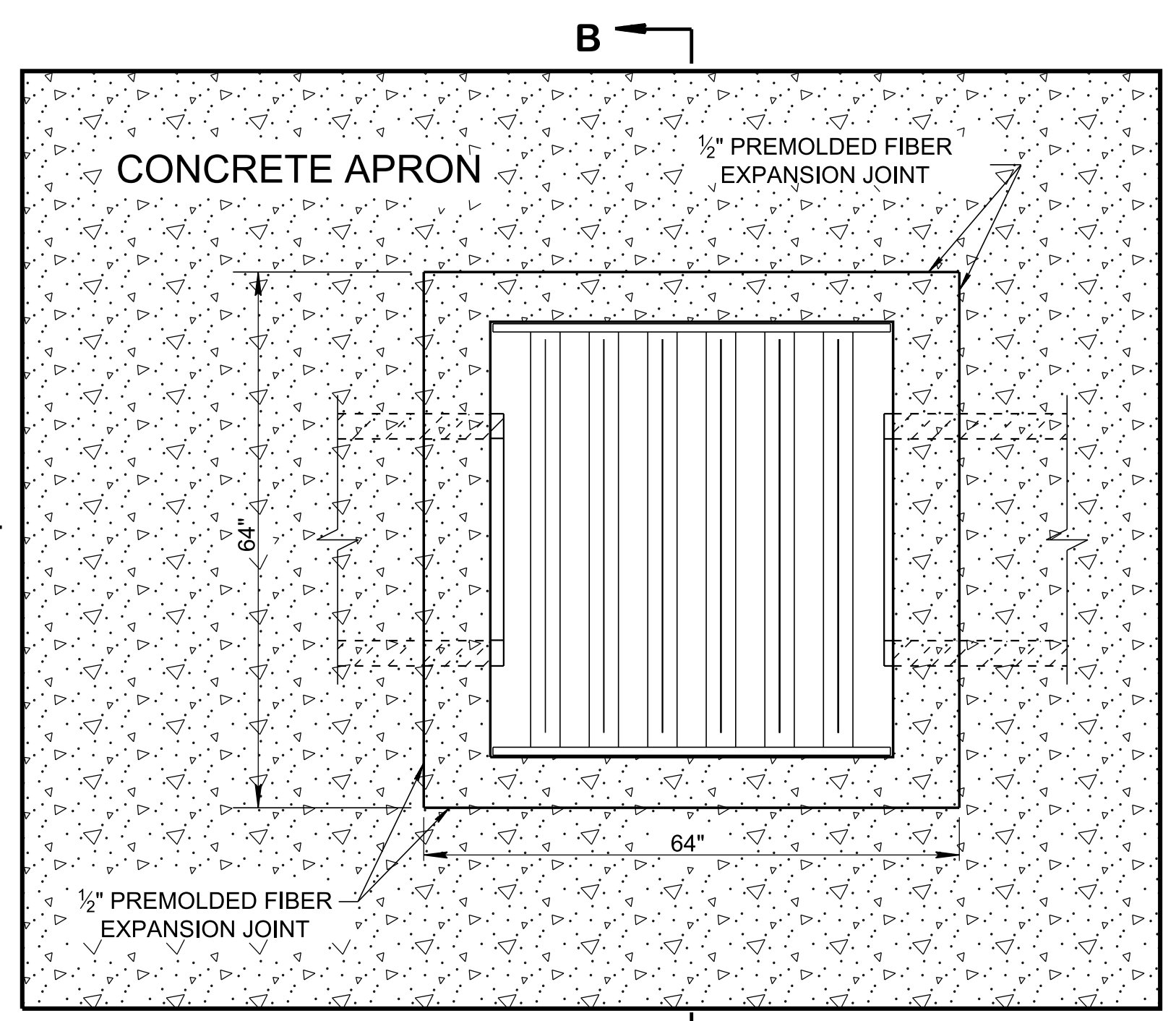
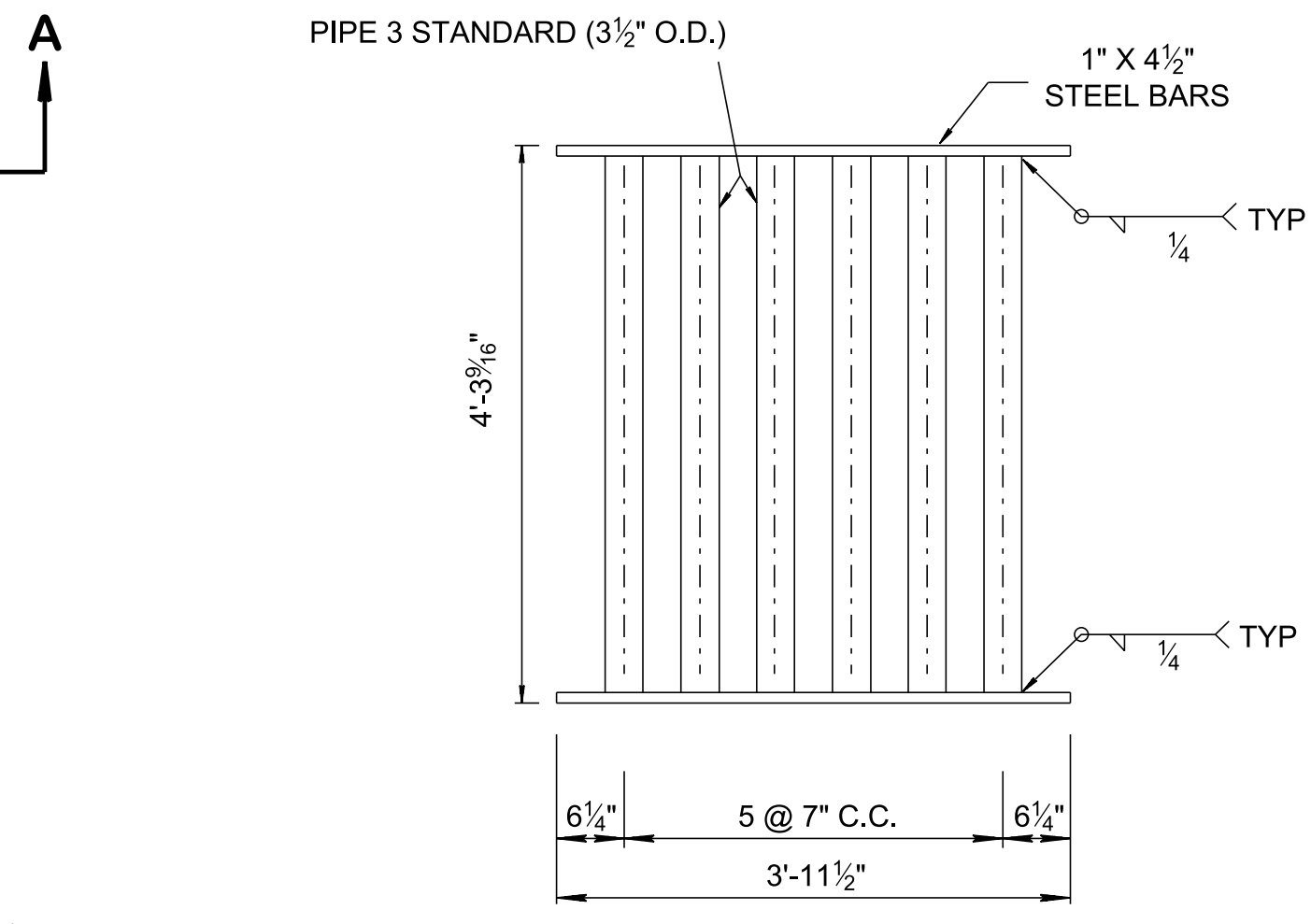


3/16/2021 9:25:54 AM P:\StandDraw\DESIGN STANDARDS\Standards Drawings\Standard Roadway Drawings - CURRENT\In Progress\10-102.00 Catch Basins and Manholes\10102.01 Catch Basins\IPDCB39S-20210304.DGN



PLAN VIEW



GRATE UNIT NO. 39

GRATE UNIT IS STRUCTURALLY DESIGNED BASED ON HS20 LOADING.

MATERIAL: STEEL BARS SHALL CONFORM TO ASTM A36. FOR THE PIPE CROSS MEMBERS, ASTM A53 GRADE B OR ASTM A500 GRADE B AND ALL SHALL BE GALVANIZED.

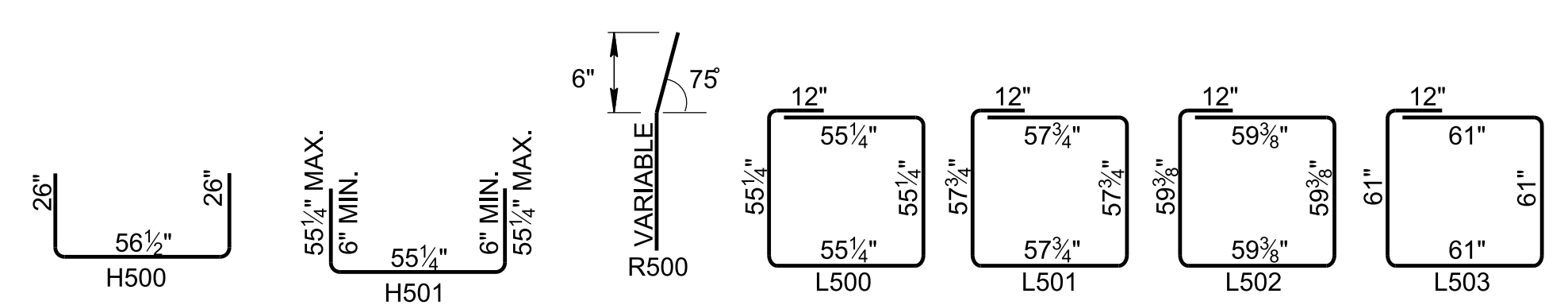
WELDING: AASHTO/AWS D1.5M/D1.5 BRIDGE WELDING CODE (LATEST EDITION)

CATCH BASIN MAXIMUM DEPTH NOTE
MAXIMUM DEPTH FOR THIS STRUCTURE IS 28.00'.

INSIDE DIAMETER (D) OF PIPE (INCHES)	PIPE WALL THICKNESS (INCHES)	DIAMETER OF CUT-OUT HOLES (INCHES)	BOX SECTION MINIMUM HEIGHTS (INCHES)	FOR DESIGN USE ONLY CATCH BASIN MINIMUM DESIGN DEPTH (FEET)
18	2 1/2	25	47	2.99
24	3	32	54	3.53
30	3 1/2	39	61	4.07
36	4	46	68	4.61

- ① CUT-OUT HOLES BASED ON REINFORCED CONCRETE PIPE WITH WALL TYPE "B".
- ② ALL FLEXIBLE PIPE MATERIALS REQUIRE GASKET. SEE STANDARD DRAWING D-PB-2.
- ③ CUT-OUT HOLES FOR PRECAST STRUCTURES TO BE FORMED IN ORDER TO OBTAIN A SMOOTH EDGED HOLE. SCORED OR ETCHED HOLES WITH REINFORCING STEEL LEFT UN CUT WILL NOT BE PERMITTED.

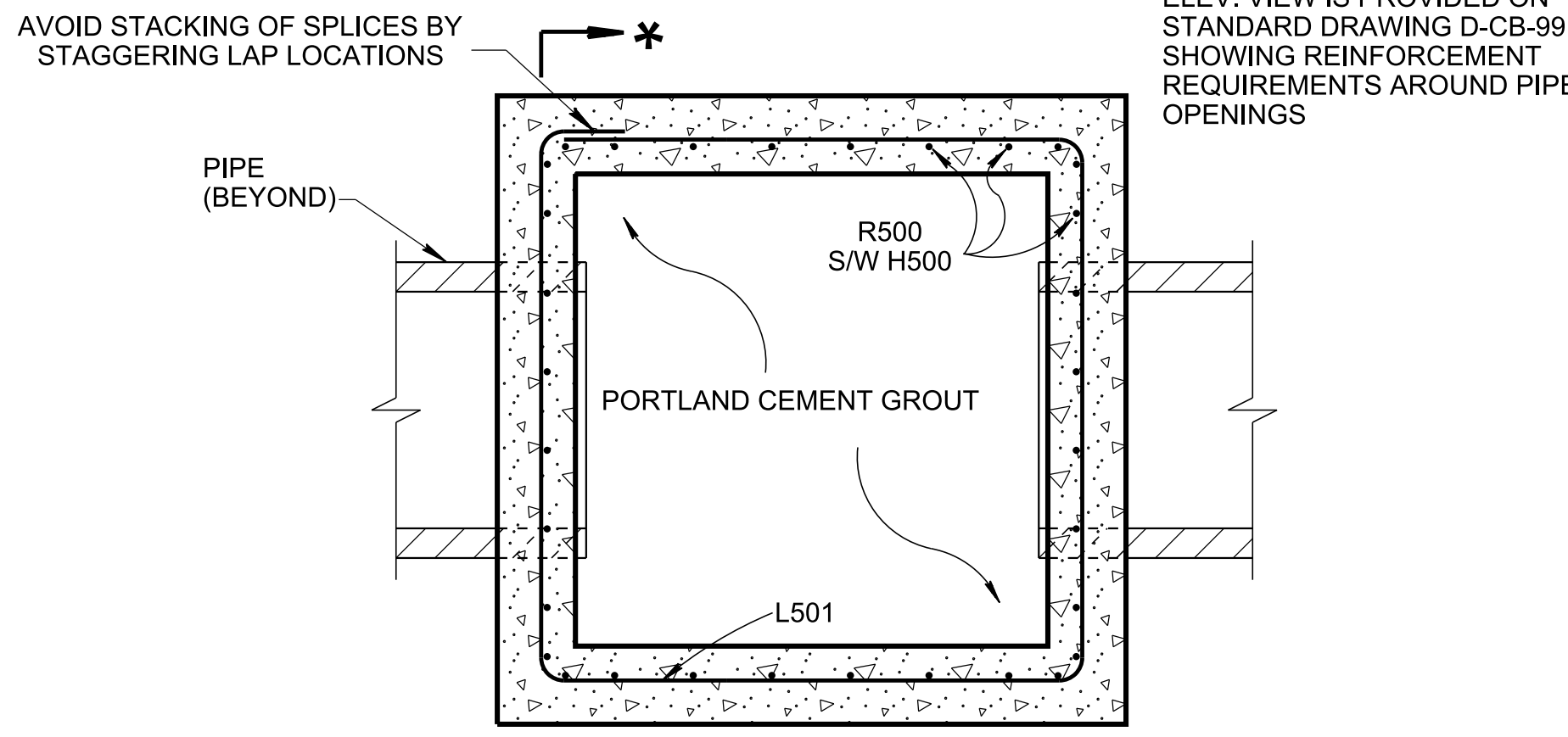
REINFORCING STEEL LEGEND



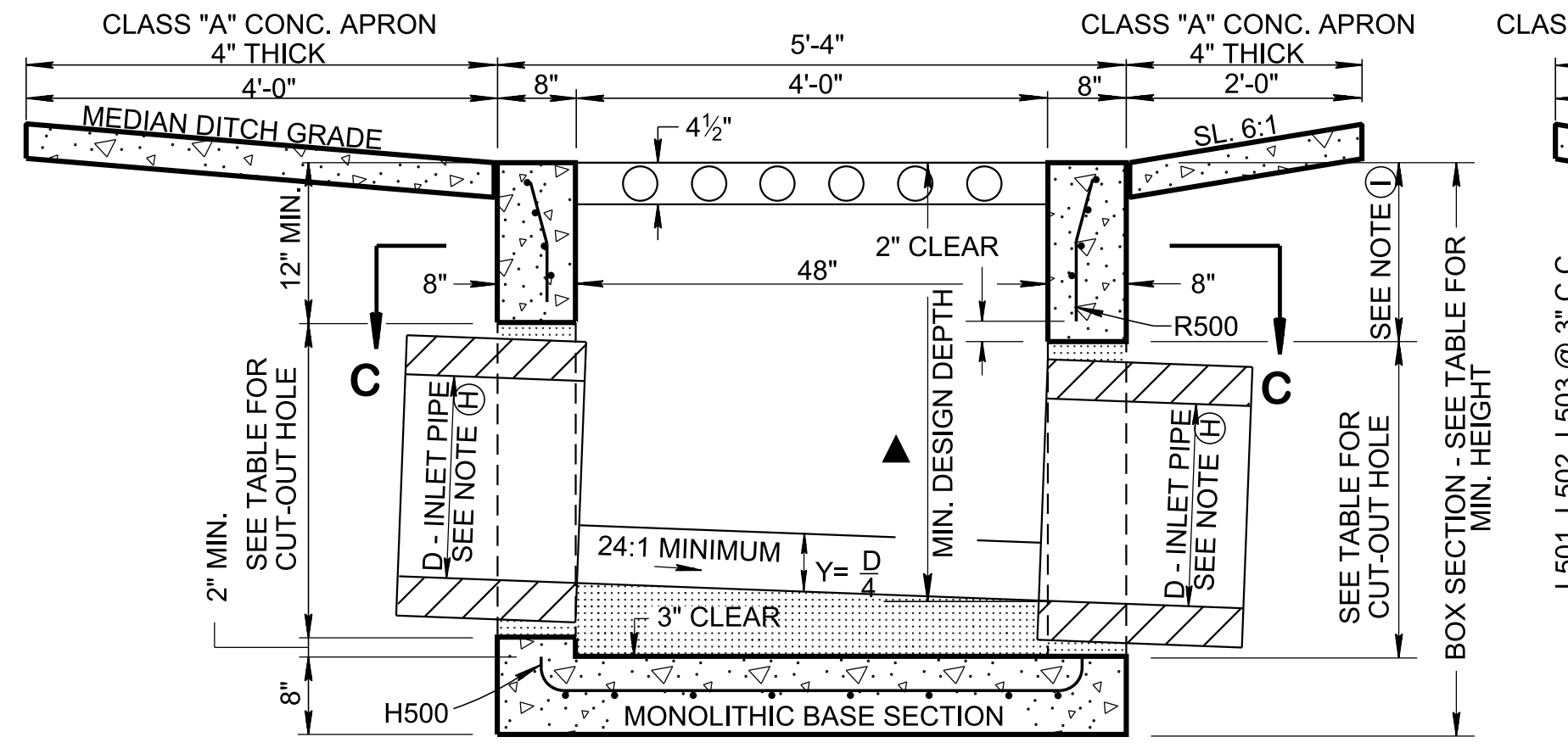
DIMENSIONS SHOWN ON THIS LEGEND ARE OUTSIDE TO OUTSIDE OF BAR. STANDARD C.R.S.I. HOOK AND TIE DETAILS SHALL APPLY, EXCEPT AS NOTED.

GENERAL NOTES

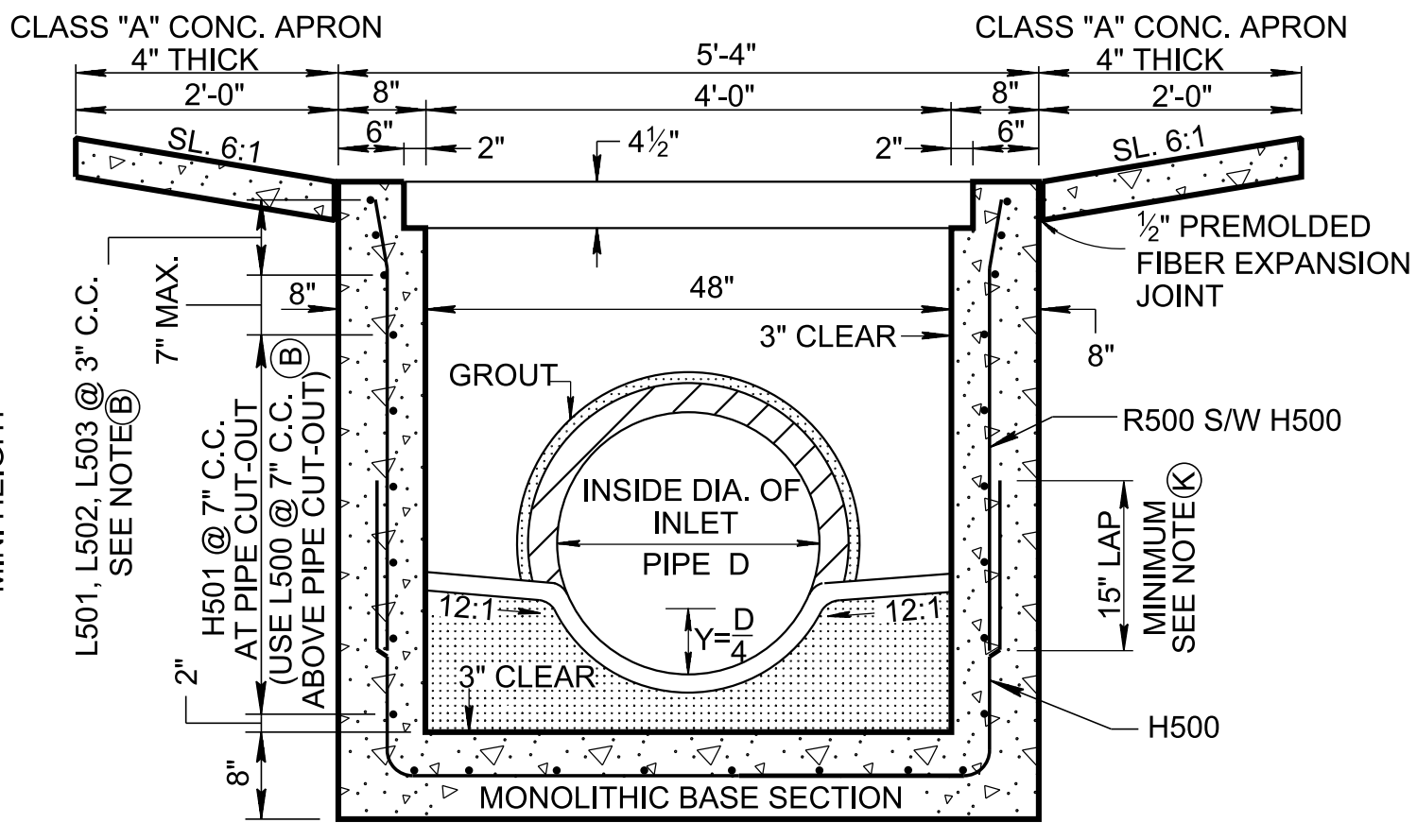
- (A) DRAWING TO BE USED FOR ALL CAST-IN-PLACE NO. 39 CONCRETE CATCH BASINS AND ALL PRECAST NO. 39 CONCRETE CATCH BASINS. SEE STANDARD DRAWING D-CB-99 FOR ADDITIONAL CONSTRUCTION NOTES & DETAILS.
- (B) THIS DRAWING DEPICTS THE MINIMUM HORIZONTAL REINFORCING AT THE TOP OF CATCH BASIN WALLS. SEE ADDITIONAL DETAILS ON STANDARD DRAWING D-CB-99 FOR TALLER SECTIONS AND STEEL PLACEMENT ABOVE PIPE OPENINGS.
- (C) CAST-IN-PLACE CONCRETE CATCH BASINS SHALL BE CONSTRUCTED IN ACCORDANCE WITH STANDARD SPECIFICATIONS, SECTION 611 AND/OR SPECIAL PROVISIONS UNLESS SUPERSEDED BY THIS DRAWING. THE CONTRACTOR MAY WITH PERMISSION FROM THE ENGINEER SUBSTITUTE PRECAST CATCH BASINS FOR CAST-IN-PLACE CATCH BASINS PROVIDED THAT ALL PRECAST ELEMENTS MEET ASTM C913 (CURRENT EDITION) UNLESS SUPERSEDED BY THIS DRAWING.
- (D) THE FOLLOWING MATERIAL PROPERTIES ARE REQUIRED FOR BOTH CAST-IN-PLACE AND PRECAST STRUCTURES:
CONCRETE: $f_c = 4.000$ POUNDS PER SQUARE INCH AT 28 DAYS
REINFORCING STEEL: ASTM A615, $F_y = 60.000$ POUNDS PER SQUARE INCH
ALL REINFORCING IS TO BE INSTALLED AS DETAILED ON THIS DRAWING.
- (E) PRECAST CATCH BASIN UNITS WHICH ARE DAMAGED DURING SHIPMENT OR INSTALLATION WILL BE REJECTED. IT SHALL BE THE RESPONSIBILITY OF THE CONTRACTOR TO REPLACE DAMAGED CATCH BASIN UNITS AT THEIR OWN EXPENSE.
- (F) APPROPRIATE SIZING AND LOCATION OF LIFTING DEVICES SHALL BE THE RESPONSIBILITY OF THE FABRICATOR.
- (G) THE CONTRACTOR IS TO PATCH ALL LIFTING DEVICE HOLES WITH GROUT AND PLACE A MINIMUM OF ONE (1) INCH OF COVER OVER THE HARDWARE OF THESE DEVICES ON BOTH TOP AND BOTTOM SURFACES.
- (H) SEE ROADWAY PLANS DRAINAGE TABULATION FOR PIPE INLET AND OUTLET ELEVATIONS. IF NEEDED, INVERT ELEVATIONS MAY BE ADJUSTED AS DIRECTED BY THE ENGINEER IN ORDER TO ACCOMMODATE INLET AND OUTLET PIPES.
- (I) FOR CASES WHERE THE OUTLET PIPE DIAMETER IS LARGER THAN THE INLET PIPE DIAMETER, A MINIMUM 12 INCH DEPTH SHALL BE MAINTAINED ABOVE THE OUTLET PIPE.
- (J) CONCRETE JOINT MATERIAL TO BE 1/2 INCH PREMOLDED FIBER IN ACCORDANCE WITH SECTION 905 OF STANDARD SPECIFICATIONS.
- (K) THE CONTRACTOR MAY ELIMINATE THE R500 BARS BY LENGTHENING THE VERTICAL LEG OF THE H500 BARS AND BENDING THE TOP 6 INCHES AT 75° SO THAT 2 INCHES OF CLEAR COVER IS PROVIDED AT THE TOP OF THE STRUCTURE.
- (L) PAY DEPTH MEASUREMENT MADE FROM TOP OF GRATE TO OUTLET FLOW ELEVATION. PAYMENT INCLUDES GRATE. PAYMENT FOR CATCH BASIN WILL BE MADE UNDER ITEM NUMBERS:
611-39.01, CATCH BASINS, TYPE 39, > 0'-4' DEPTH, EACH (THROUGH)
611-39.07, CATCH BASINS, TYPE 39, > 24'-28' DEPTH, EACH.



SECTION C-C



SECTION A-A



SECTION B-B

- REV. 10-26-98: CHANGED STEEL BARS ON GRATE UNIT FROM 1" X 4 1/2" TO 1" X 4 1/2"
- REV. 1-19-99: MODIFIED CATCH BASIN MINIMUM DEPTH TABLE.
- REV. 5-27-01: CHANGED PAY ITEMS IN GENERAL NOTE ①. ADDED CATCH BASIN MAXIMUM DEPTH NOTE.
- REV. 7-29-02: CHANGED ASTM SPECIFICATION IN GENERAL NOTE ③.
- REV. 8-01-12: REVISED CATCH BASIN FOR COMPLIANCE WITH AASHTO LRFD BRIDGE DESIGN SPECIFICATIONS, 4TH EDITION WITH INTERIMS. REVISED REINFORCING, GENERAL NOTES, LEGEND AND ADDITIONAL MISC. DRAFTING EDITS.
- REV. 05-15-18: REVISED CATCH BASIN MINIMUM DESIGN DEPTH VALUES. CORRECTED STANDARD SPECIFICATIONS SECTION NUMBER TO 921 FOR NON-SHRINK GROUT. ADDED DIMENSION IN SECTION VIEW A-A FOR MINIMUM DESIGN DEPTH.
- REV. 02-20-2020: REDREW SHEET.
- REV. 03-04-2021: REVISED GRATE UNIT NOTES.

APPROVED BY FHWA (ALL OTHERS APPROVED BY TDOT)

STATE OF TENNESSEE
STANDARD DRAWING
DEPARTMENT OF TRANSPORTATION

STANDARD
4' X 4' SQUARE
CONCRETE
NO. 39
CATCH BASIN