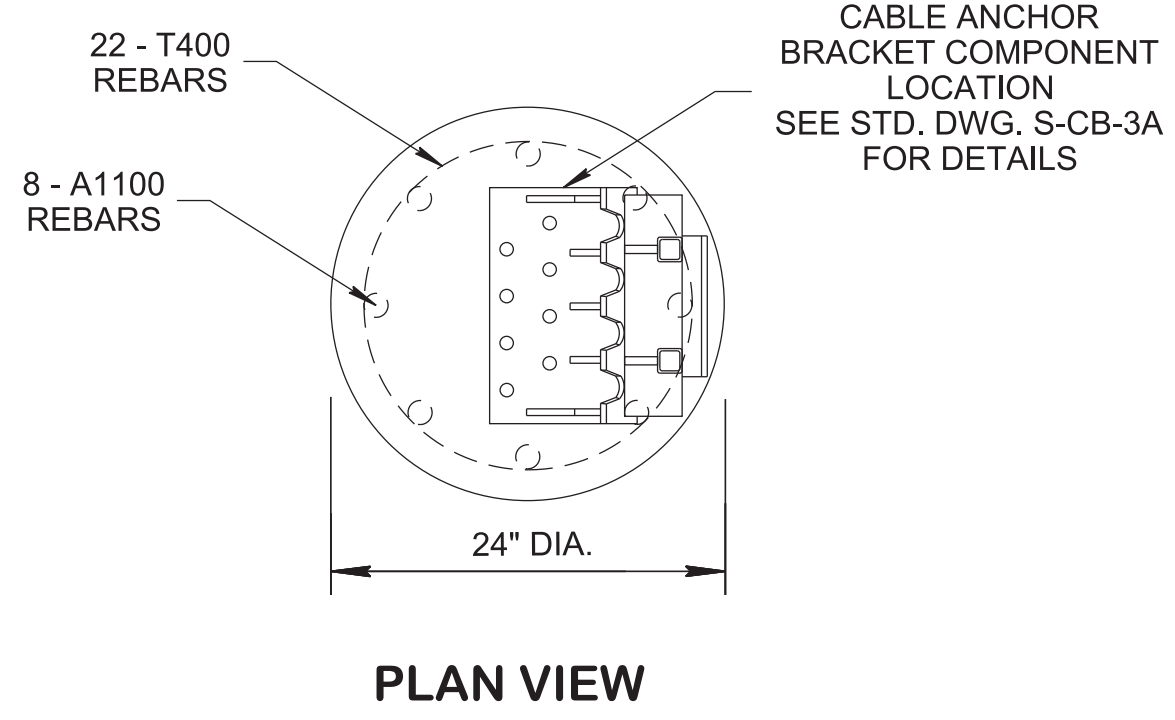
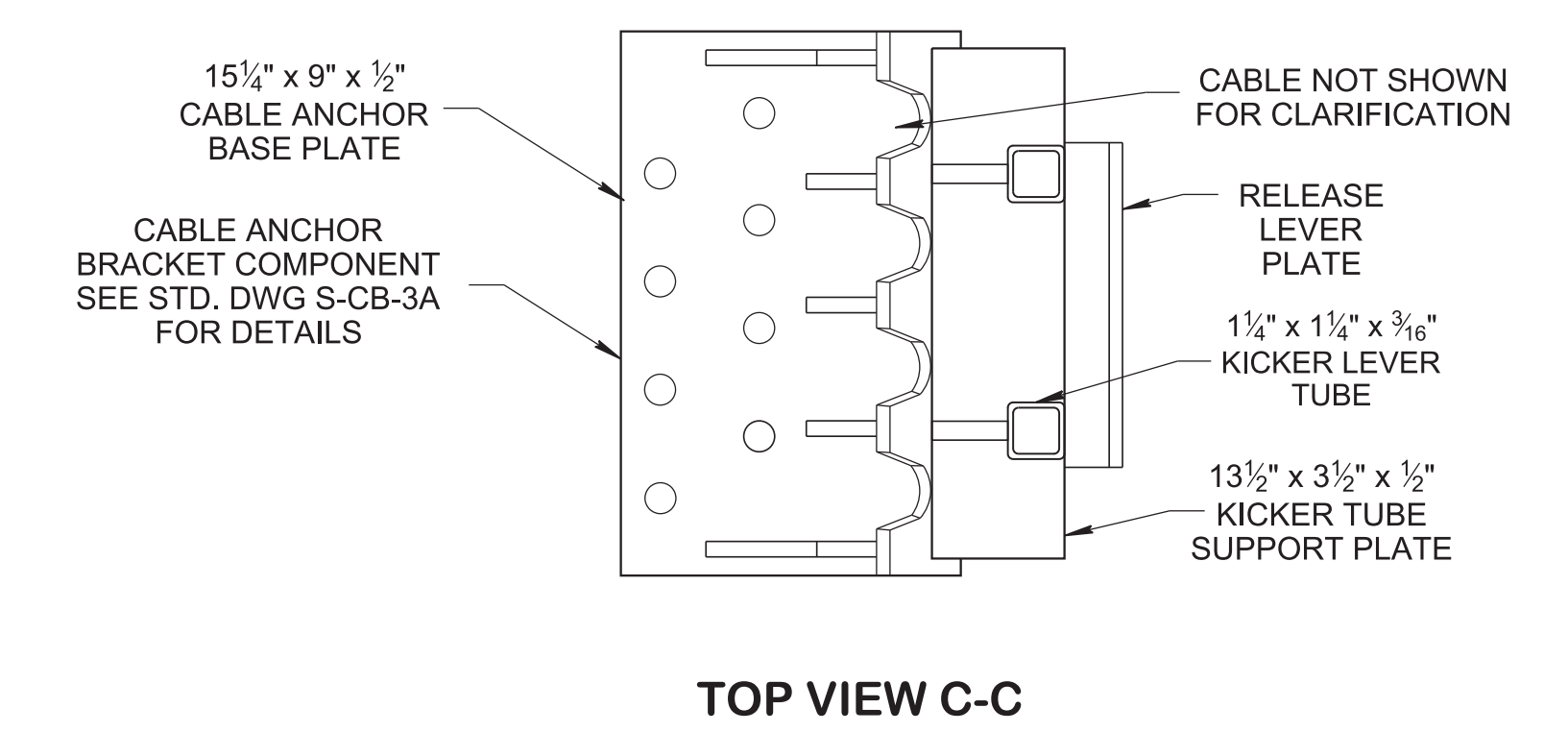


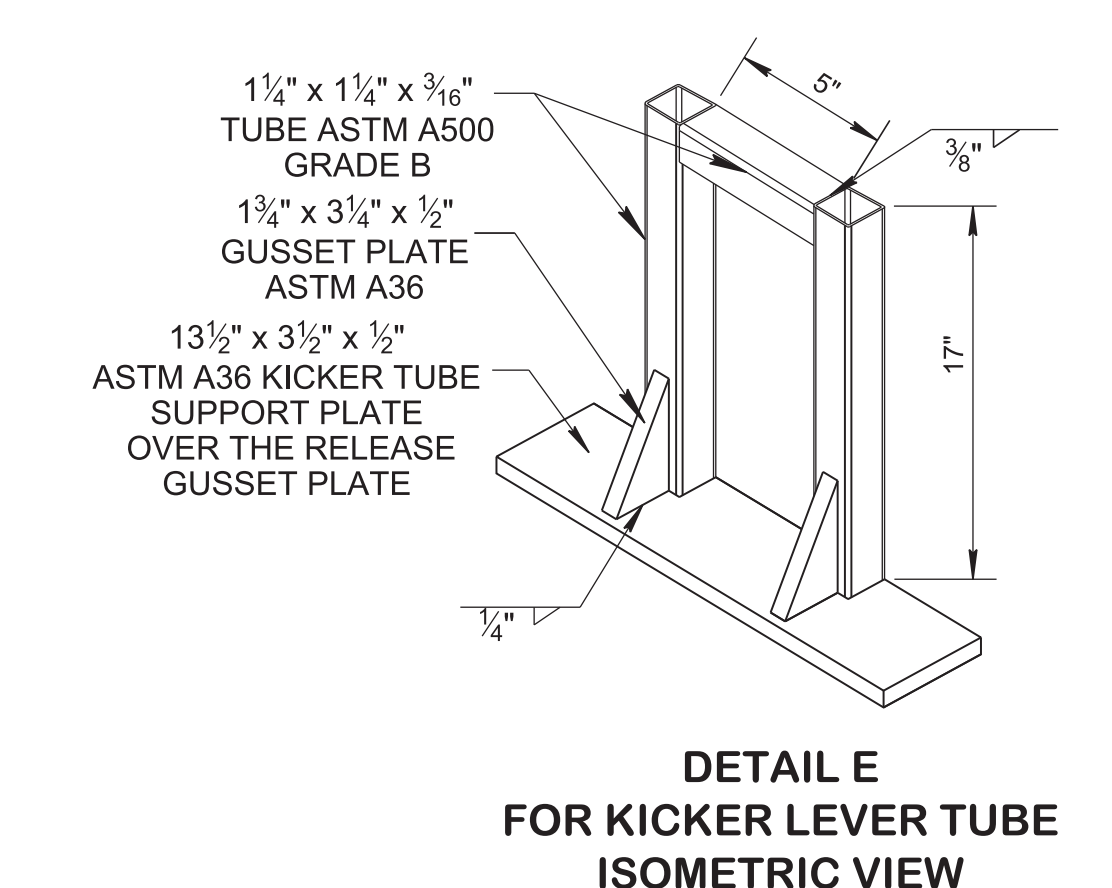
7/16/2021 11:27:35 AM P:\StandDraw\DESIGN STANDARDS\Standards Drawings Library\Standard Roadway Drawings - CURRENT\In Progress\10-106.00 Safety Design and Guardrails IP\106.02 Cable Barrier IP\SCB3-20210603.dgn



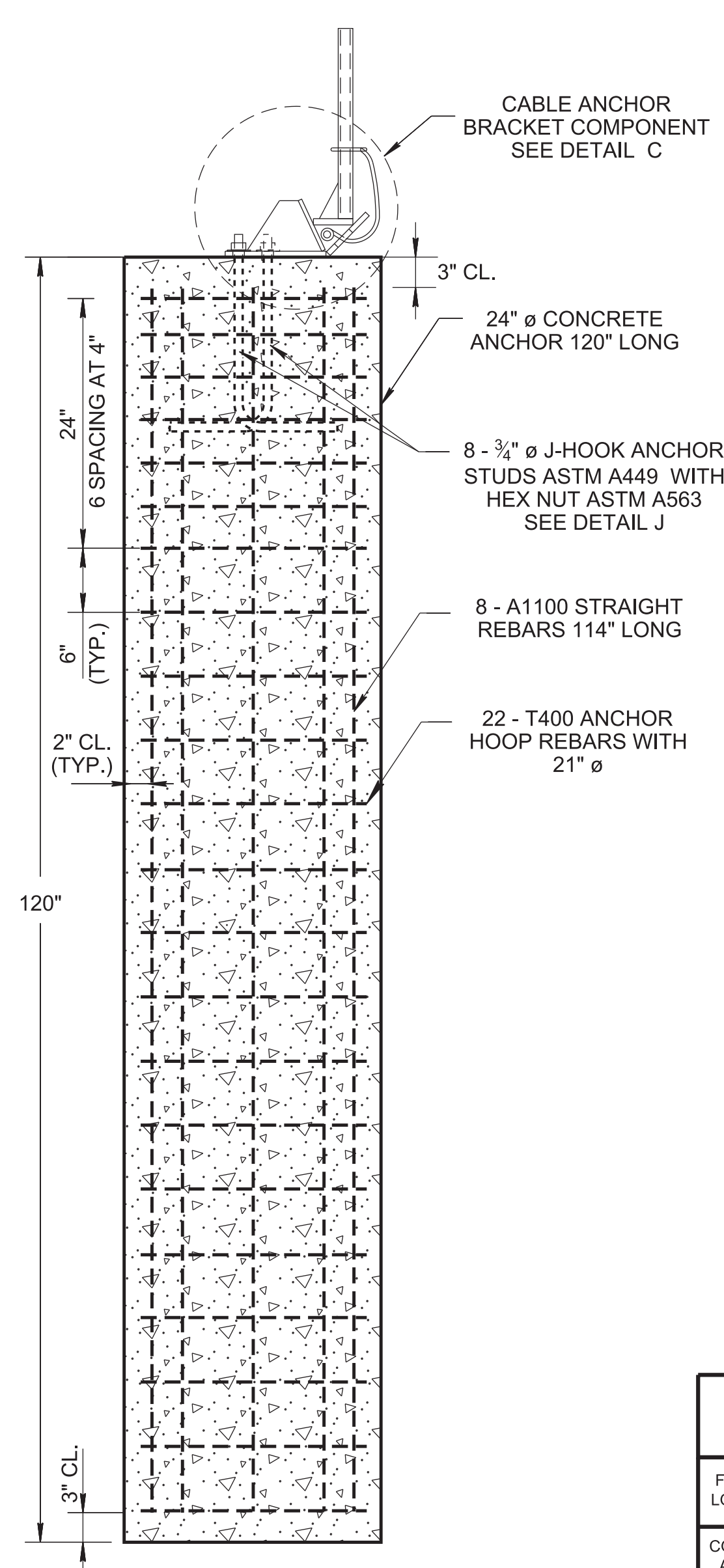
PLAN VIEW



TOP VIEW C-C



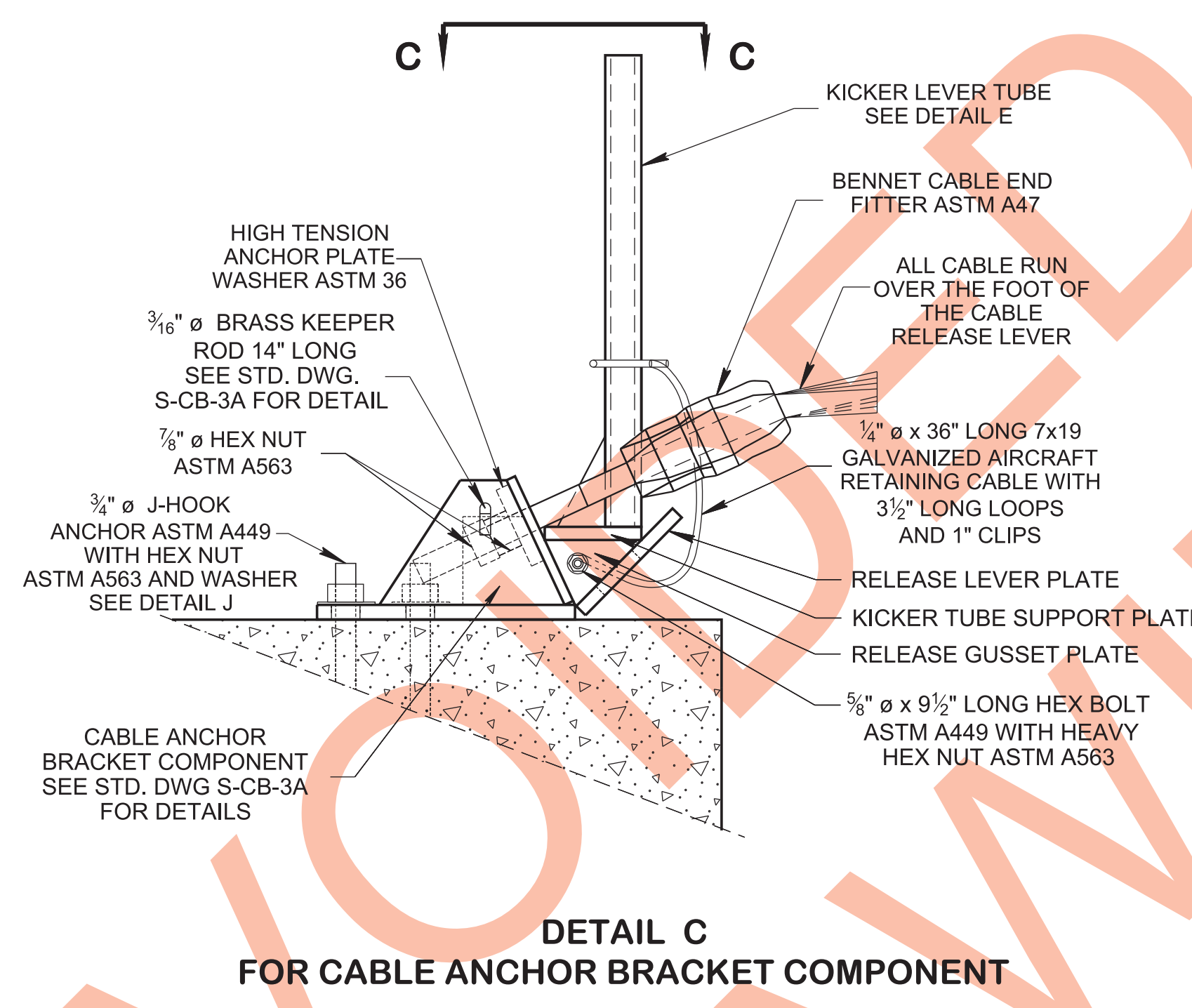
DETAIL E FOR KICKER LEVER TUBE ISOMETRIC VIEW



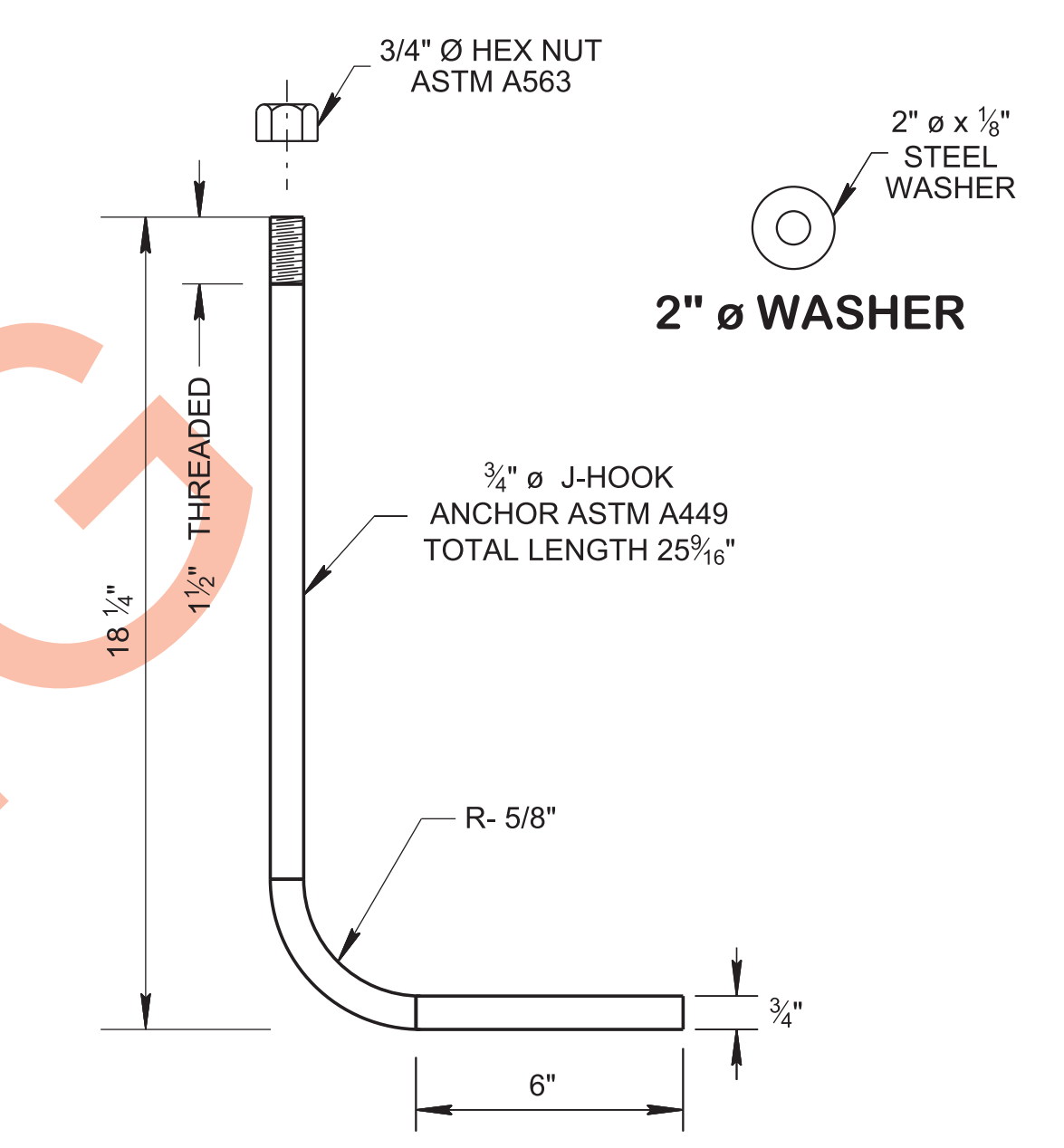
CONCRETE ANCHOR FOUNDATION DETAIL

QUANTITIES (PER EACH POST)				
FOOTING LOCATION	DIAMETER (FT.)	DEPTH (FT.)	CONCRETE (C. Y.)	REINFORCING STEEL (LB.)
CONCRETE ANCHOR	2'-0"	10'-0"	1.17	500.00

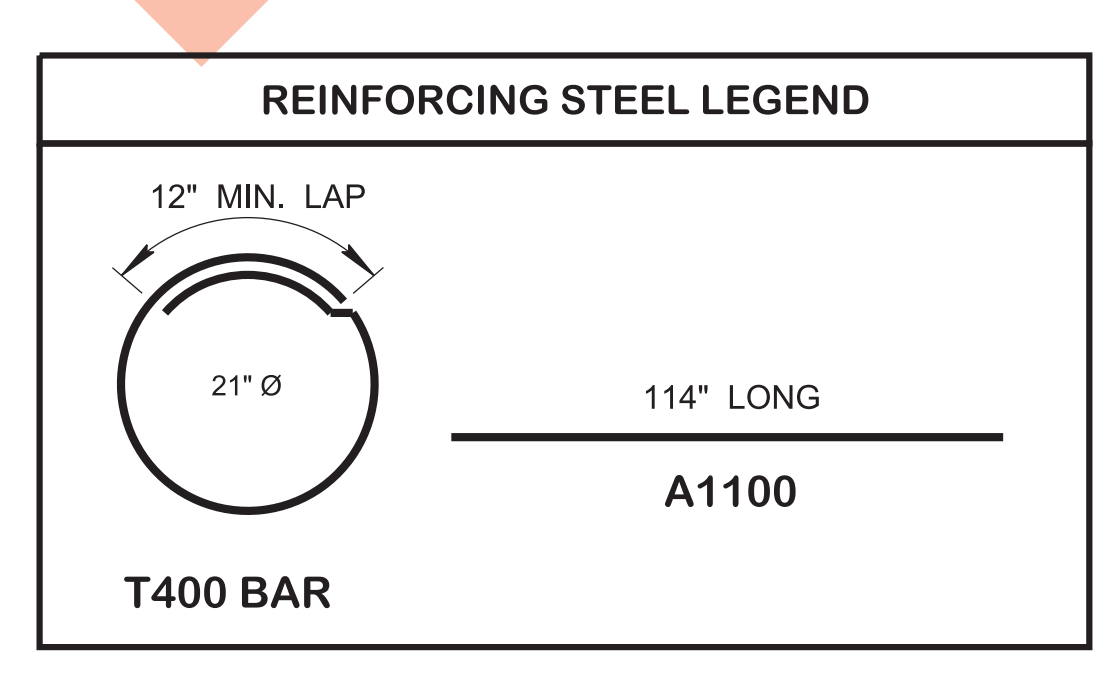
BILL OF STEEL				
BAR TYPE	BAR SIZE	NUMBER REQUIRED	LENGTH	REINFORCING STEEL (LB.)
T400	4	22	6'-6"	95.53
A1100	11	8	9'-6"	403.80



DETAIL C FOR CABLE ANCHOR BRACKET COMPONENT



DETAIL J FOR J - HOOK ANCHOR



**GENERAL NOTES**

- (A) CONCRETE ANCHOR FOUNDATION SHALL BE CONSTRUCTED WITH CLASS 'A' CONCRETE WITH A MINIMUM COMPRESSIVE STRENGTH OF 4000 PSI, AND MIXED IN ACCORDANCE WITH SECTION 604 OF THE STANDARD SPECIFICATIONS.
- (B) REINFORCING STEEL: TO BE ASTM A615. PLACE ALL STEEL REINFORCEMENT 2" MINIMUM FROM OUTSIDE FACE OF WALL, EXCEPT AS OTHERWISE SHOWN. ALL REINFORCING STEEL BARS ARE TO BE EPOXY COATED MEETING ALL REQUIREMENTS OF ASTM D3963.
- (C) ALL TUBES SHALL BE ASTM A500 GRADE B AND SHALL BE GALVANIZED. ALL BOLTS, NUTS AND WASHERS SHALL BE GALVANIZED AND ALL STEEL PLATES SHALL CONFORM TO ASTM A36. ALL CABLE ANCHORS SHALL BE GALVANIZED FOLLOWING FABRICATION. ALL CUTTING, DRILLING, AND WELDING OF STEEL COMPONENTS SHALL BE DONE BEFORE BEING GALVANIZED.
- (D) ALL WELDING SHALL BE PERFORMED BY A WELDER QUALIFIED IN ACCORDANCE WITH THE AASHTO/AWS D1.5M/D1.5 BRIDGE WELDING CODE (LATEST EDITION).
- (E) REFER TO STANDARD DRAWINGS S-CB-2, S-CB-3A, S-CB-4, AND S-CB-5 FOR ADDITIONAL DETAILS.
- (F) NON-PROPRIETARY HIGH TENSION CABLE MEDIAN BARRIER HAS BEEN EVALUATED BY THE MIDWEST ROADSIDE SAFETY FACILITY AND MEETS MASH TL-3 STANDARDS, AND THE EVALUATION HAS BEEN DOCUMENTED IN THE MIDWEST ROADSIDE MIDWEST STATES POOLED FUND RESEARCH REPORT NO. TRP-03-327-16.
- (G) THE FOUNDATION DESIGN IS BASED ON UNCLASSIFIED IN SITU SOIL ASSUMED TO BE COMPACTED. IF SOIL DOES NOT MEET COMPACTION, THE INSTALLER SHALL SUBMIT AN ALTERNATIVE FOUNDATION DESIGN FOR APPROVAL, SIGNED AND SEALED BY A PROFESSIONAL ENGINEER LICENSED IN THE STATE OF TN. ALL ALTERNATIVE DESIGNS SUBMITTED SHALL SHOW THE FOUNDATION DIMENSIONS AND STEEL REINFORCEMENT.
- (H) THE DETAILS SHOWN ON THIS DRAWING ARE BASED ON RESULTS OF FULL SCALE CRASH TESTS TO MASH TEST 3-11. REFER TO ENGINEER SHOP DRAWINGS FOR DETAILS NOT SHOWN ON THIS DRAWING.
- (I) PAYMENT: FURNISHING AND INSTALLING CONCRETE ANCHOR FOUNDATIONS, POSTS, POST ASSEMBLIES, SQUARE TUBES, HARDWARE INCLUDING THREADED RODS, NUTS AND BOLTS, WASHERS AND ALL PLATES SHALL BE PAID UNDER ITEM NUMBER 705-06.41 CABLE BARRIER ANCHOR (MASH TL-3) EACH.

STATE OF TENNESSEE  
STANDARD DRAWING  
DEPARTMENT OF TRANSPORTATION

CABLE BARRIER ANCHOR DETAILS