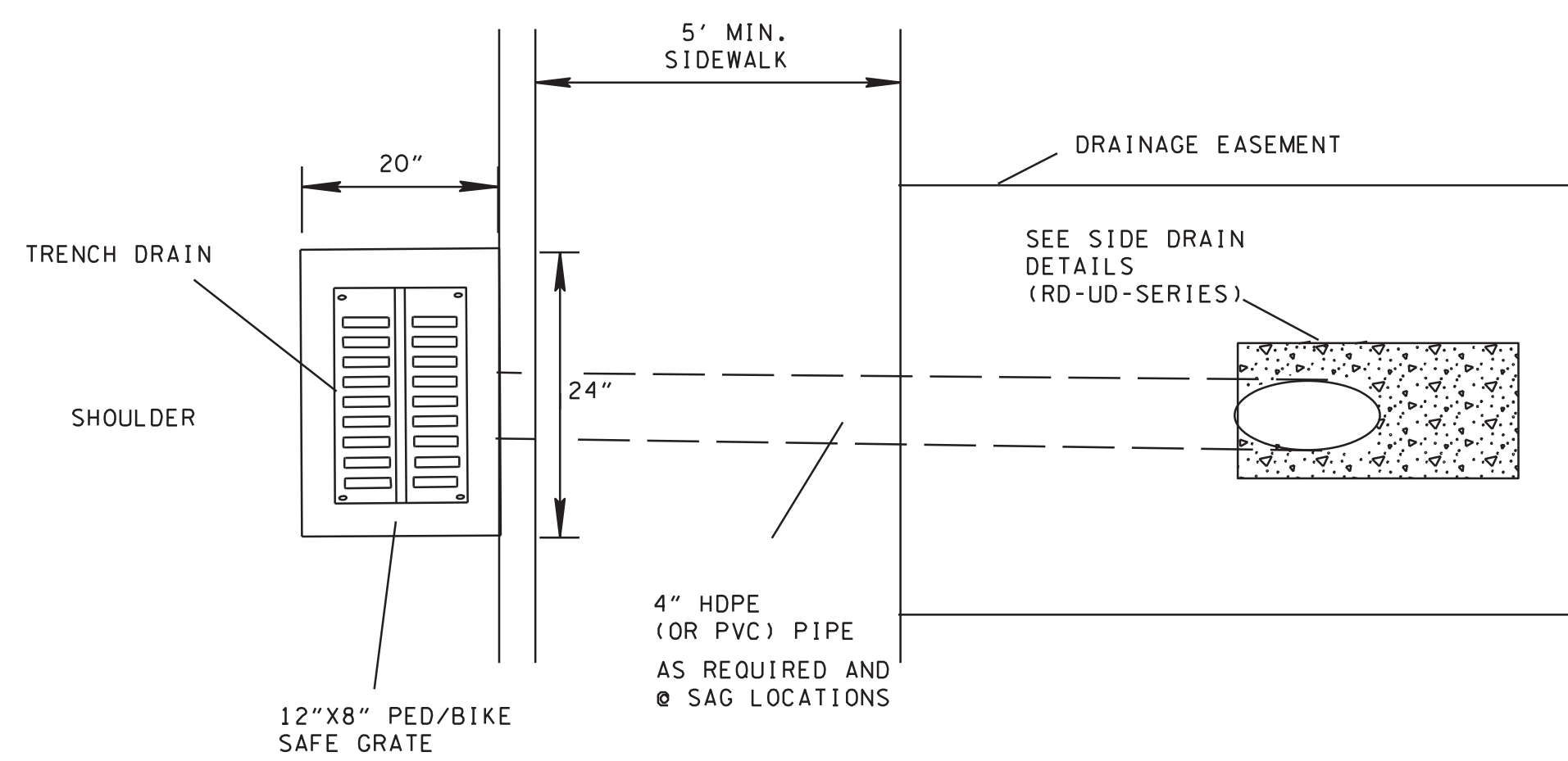
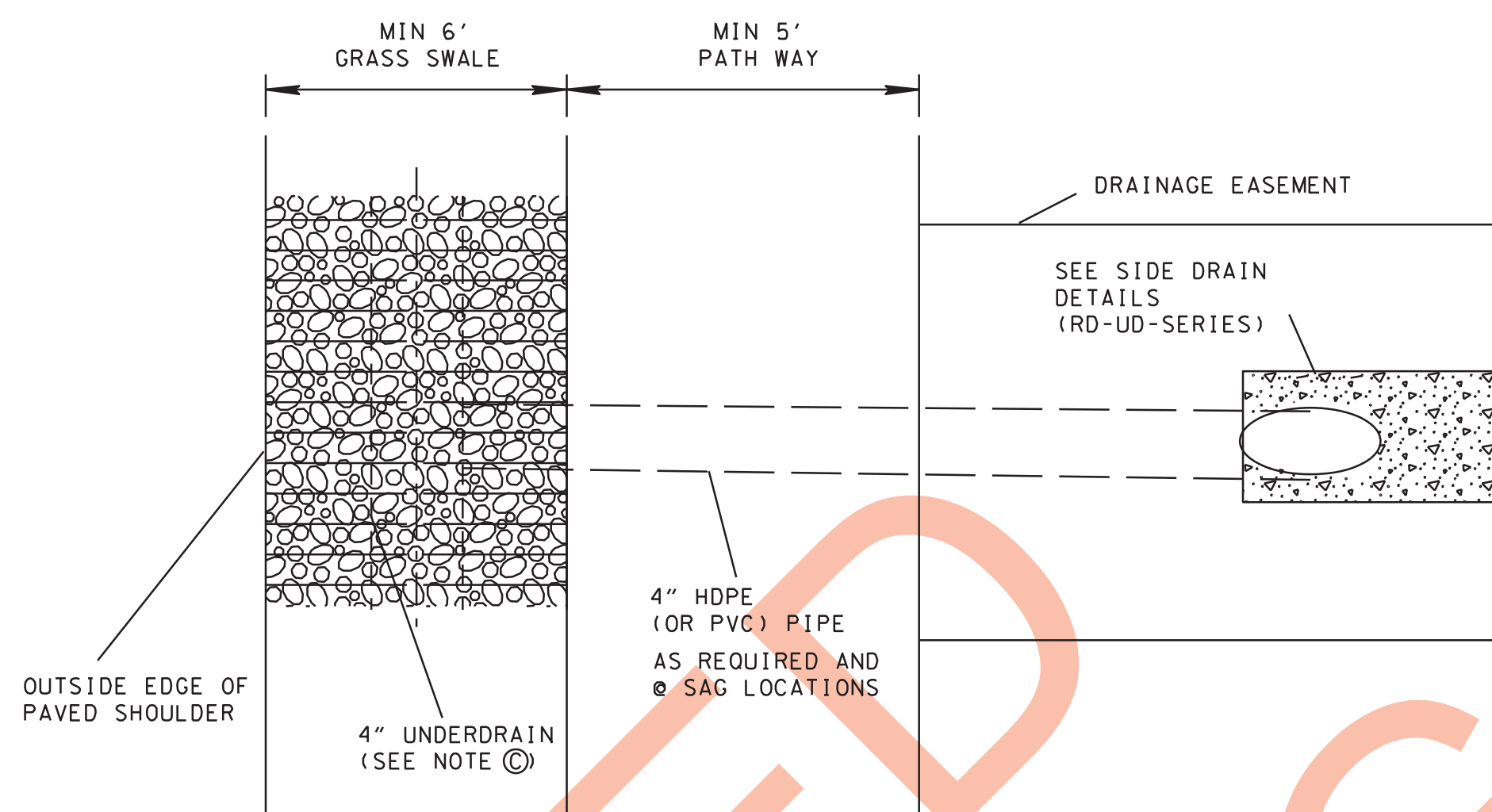


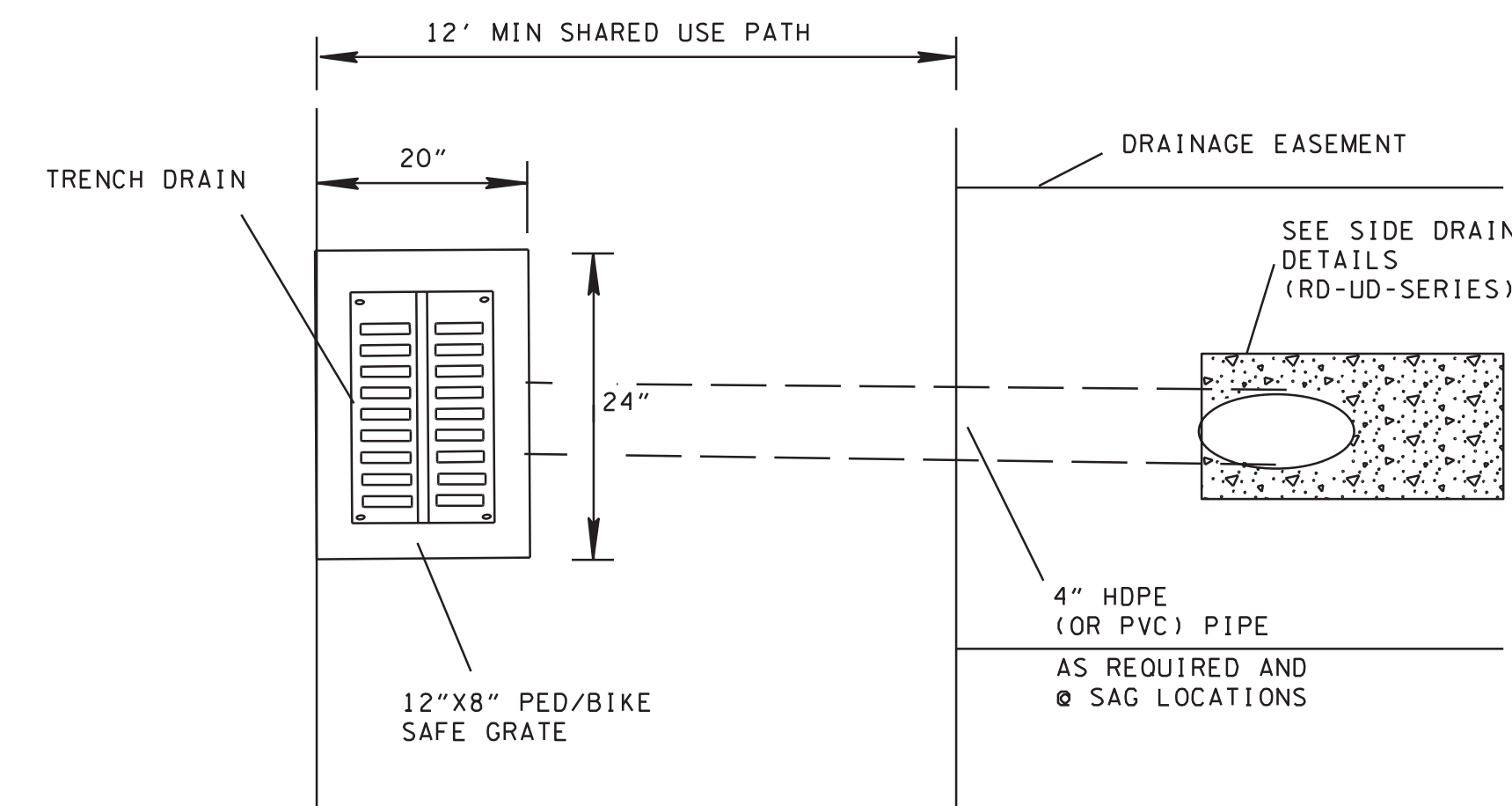
LOW-COST PEDESTRIAN FACILITY ALTERNATIVES FOR ROADS AND STREETS WITHOUT CURB AND GUTTER



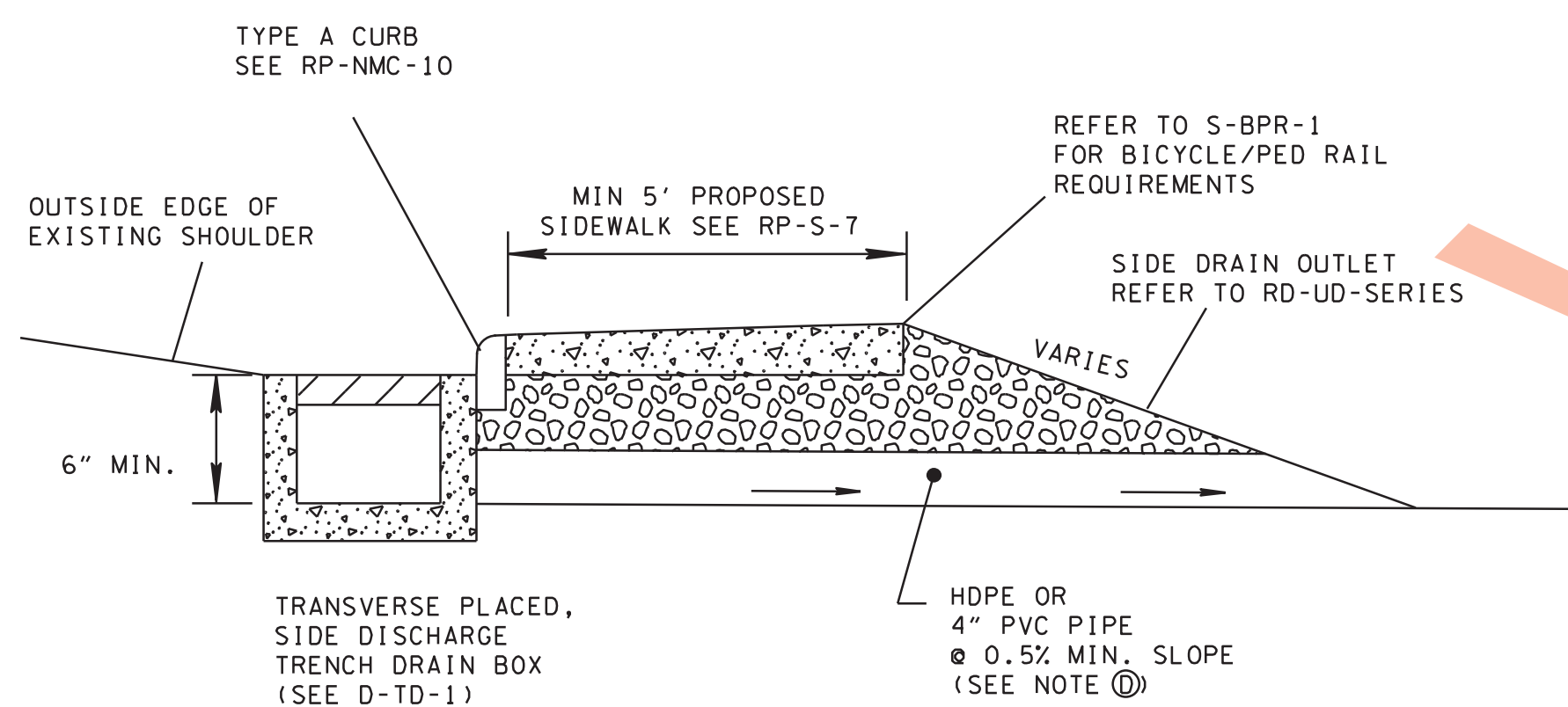
SIDEWALK
PLAN VIEW



SIDEWALK
PLAN VIEW

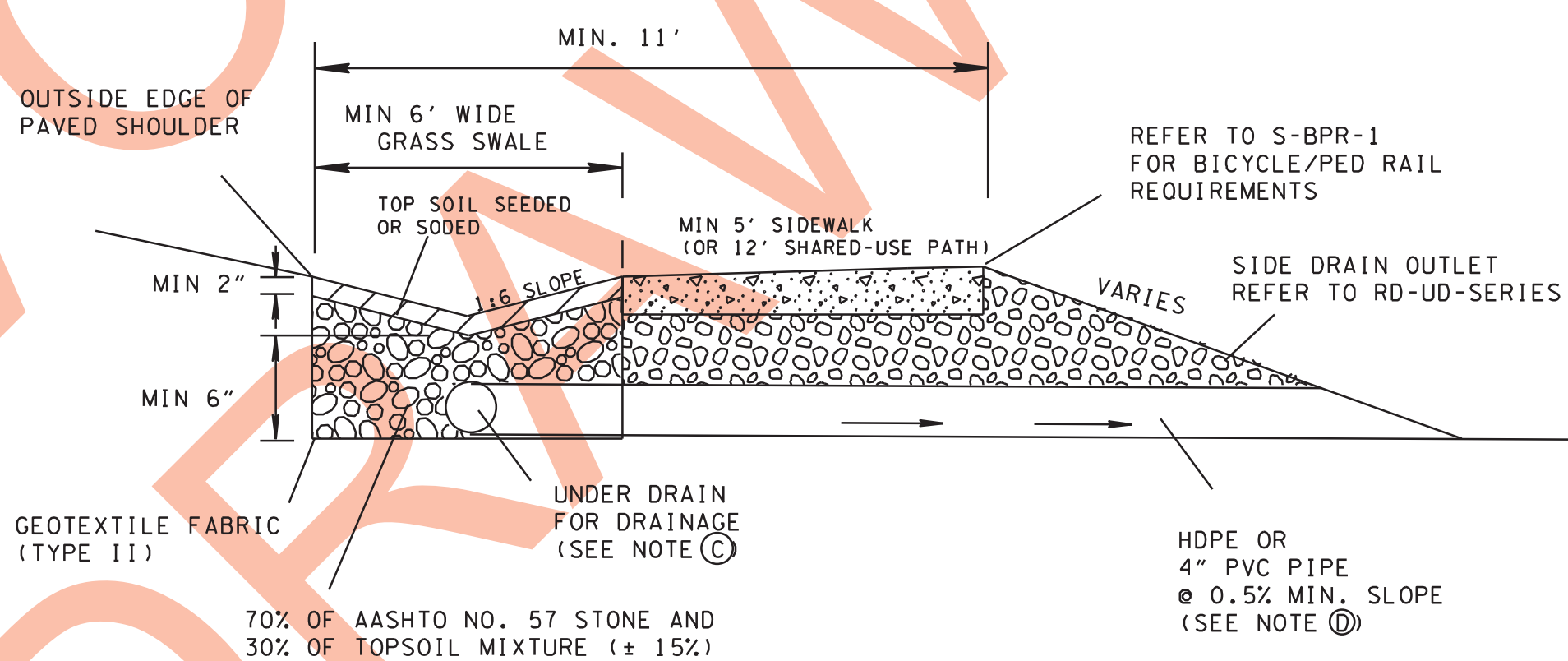


SHARED-USE-PATH
PLAN VIEW

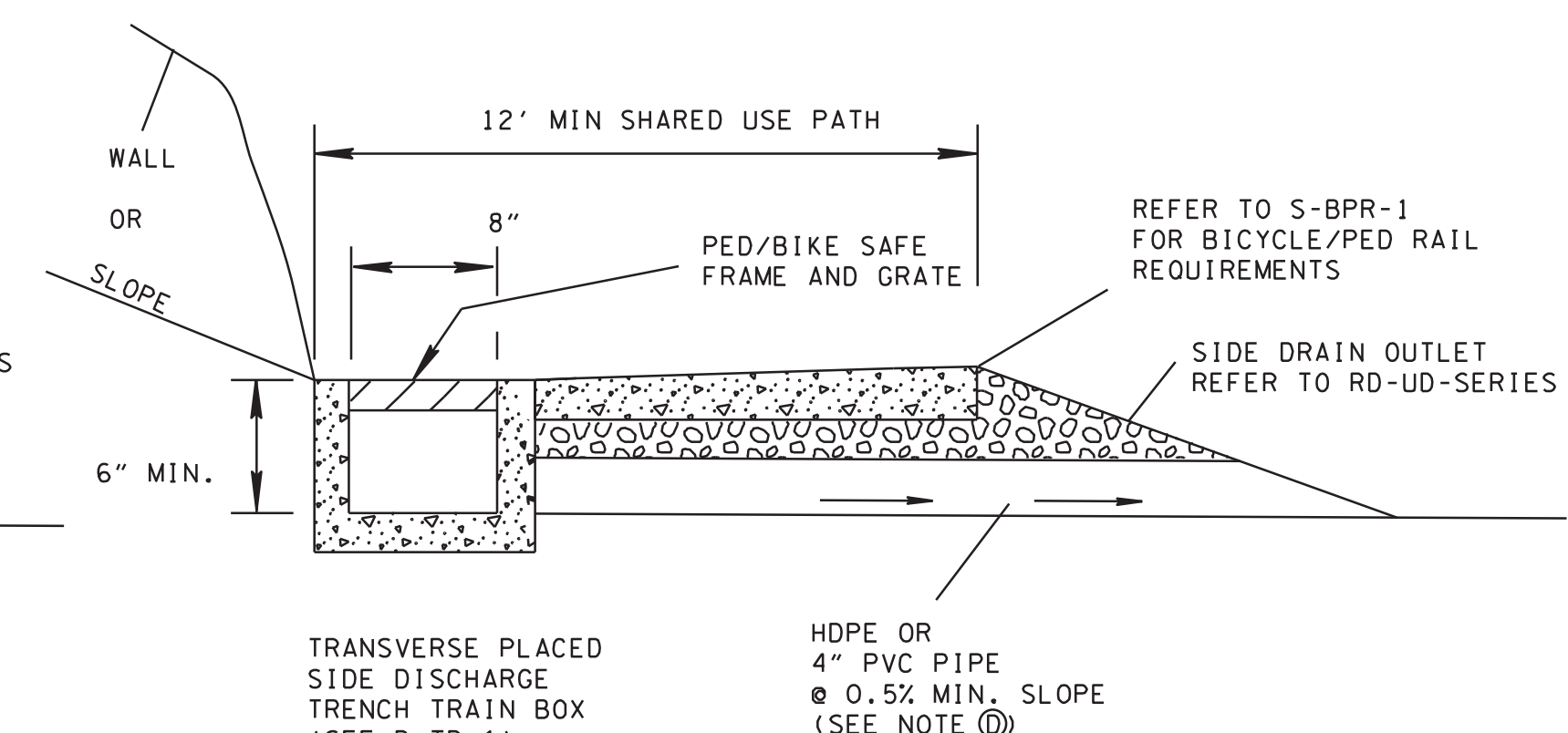


SIDEWALK WITH TYPE "A" OR 6" VERTICAL CURB ALWAYS MAINTAIN MIN 3' OFFSET BETWEEN THE EDGE OF TRAVELLED WAY AND PEDESTRIAN FACILITY.

SECTION VIEW



SECTION VIEW



SECTION VIEW
DRAINAGE DETAIL TO CAPTURE OFF SITE STORM WATER FOR SHARED USE PATHS

GENERAL NOTES	
1	NOT FOR NEW CONSTRUCTION. LOW-COST PEDESTRIAN FACILITY DETAILS MAY BE USED FOR REHABILITATION PROJECTS ONLY.
2	DETAILS MAY BE USED ON LOCAL ROADS AND STREETS WHERE INSTALLING NEW STORM WATER SYSTEM MAY NOT BE POSSIBLE.
3	SEE RP-S-7 FOR SIDEWALK DETAILS.
4	SEE RP-H-SERIES FOR CURB RAMP DETAILS.

DRAINAGE GENERAL NOTES	
A	ALTERNATE DRAINAGE DETAILS MAY BE USED AT LOCATIONS WHERE INSTALLING NEW STORM WATER SYSTEM IS NOT FEASIBLE.
B	PAYMENT FOR TRENCH DRAINS WILL BE MADE UNDER ITEM NUMBER 611-05.01, TRENCH DRAIN PER LINEAR FOOT.
C	ALL COST FOR TRENCHING, FURNISHING AND INSTALLING THE PIPE AND AGGREGATE FOR THE UNDERDRAIN WITH PIPE WILL BE INCLUDED IN THE BID PRICE FOR ITEM NO. 710-02, AGGREGATE UNDERDRAINS (WITH PIPE) OR ITEM NO. 710-04, FILTER CLOTH UNDERDRAIN (WITH PIPE). THE UNIT OF PAYMENT WILL BE PER LINEAR FOOT.
D	BACKFILL MATERIAL USED WITH UNDERDRAIN LATERALS ON ALL HIGHWAY SYSTEMS SHALL BE MINERAL AGGREGATE. MINERAL AGGREGATE BACKFILL SHALL MEET REQUIREMENTS OF SUBSECTION 903.05 OF THE STANDARD SPECIFICATIONS FOR CLASS "A" OR CLASS "B" GRADING "D". IT SHALL BE PAID FOR UNDER THE PRICE BID FOR ITEM NO. 710-05, LATERAL UNDERDRAIN PER LINEAR FOOT.

STATE OF TENNESSEE DEPARTMENT OF TRANSPORTATION
ALTERNATE DETAILS FOR PEDESTRIAN FACILITIES
2-5-16 RP-S-9

5/10/2016 1:55:45 PM F:\backup d\pak on j196208\WORKSTD\2016 std dwg\RP-S-020516.DGN