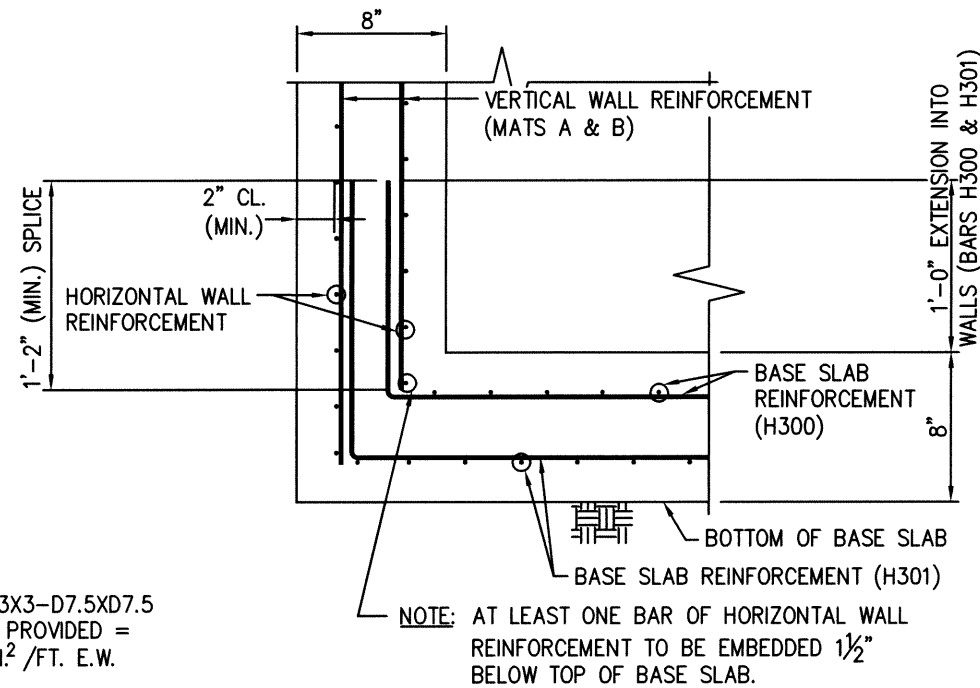
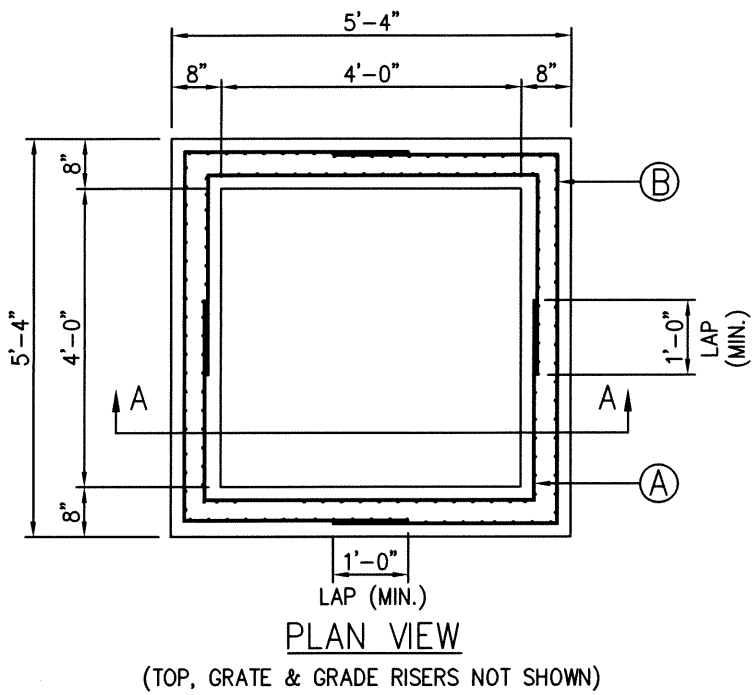
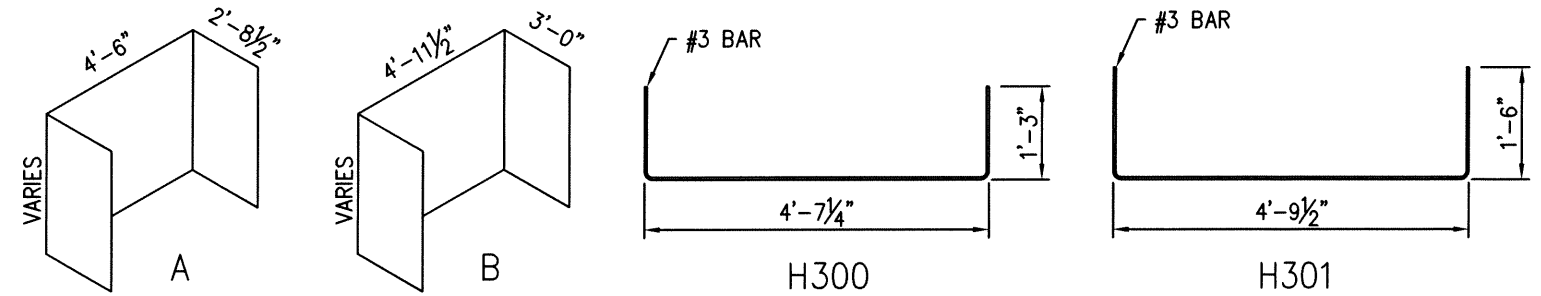


REINFORCING STEEL SCHEDULE

MARK	NO. REQ'D.	LENGTH	TYPE
A	2	SEE DIAGRAM	BENT
B	2	SEE DIAGRAM	BENT
H300	18	SEE DIAGRAM	BENT
H301	18	SEE DIAGRAM	BENT

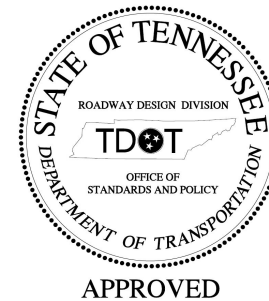
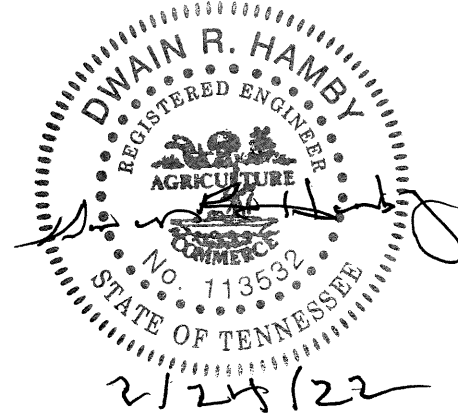
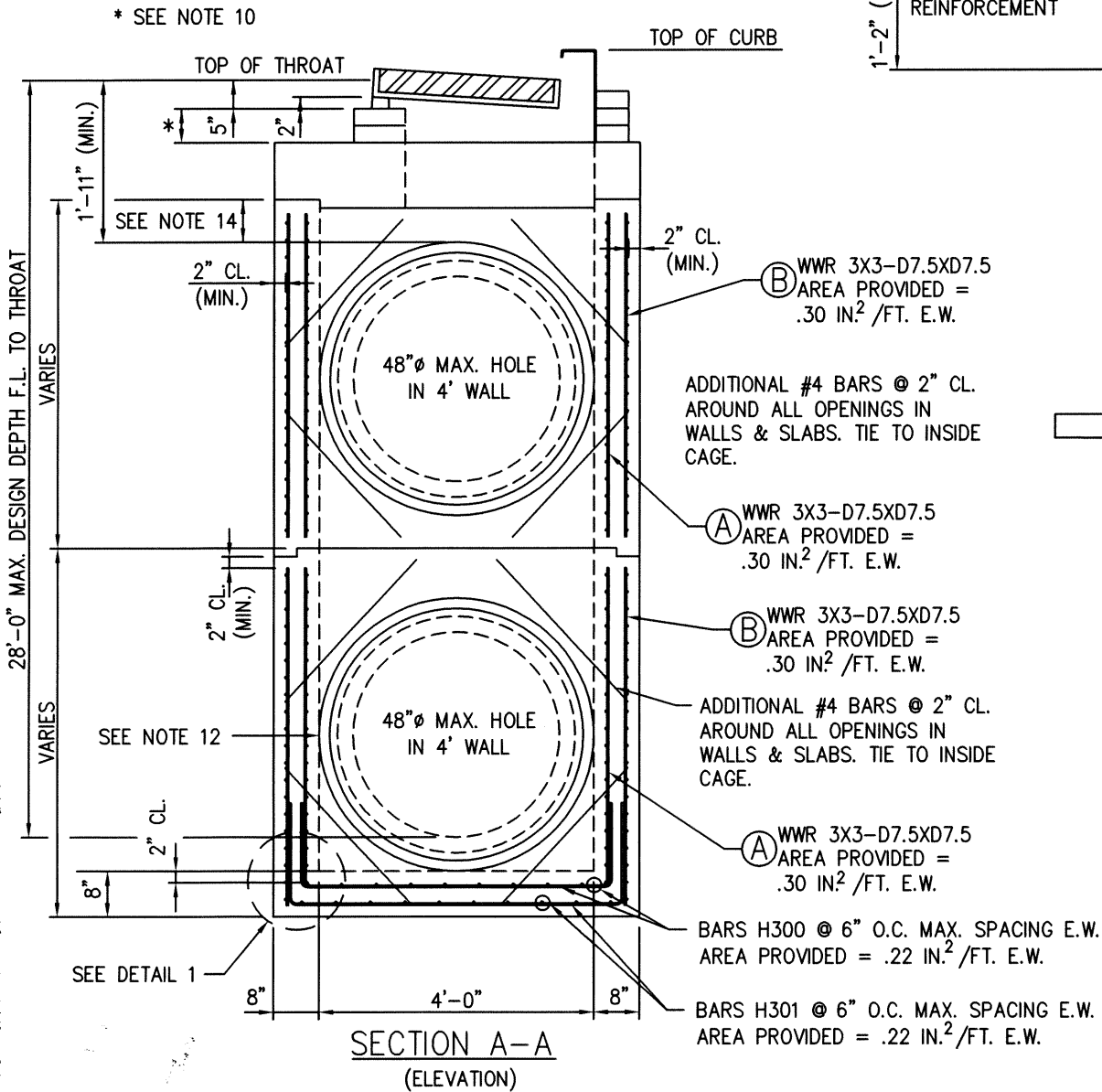
BENDING DIAGRAM - DIMENSIONS ARE OUT TO OUT



NOTE: WALL & BASE SLAB POURED MONOLITHICALLY.

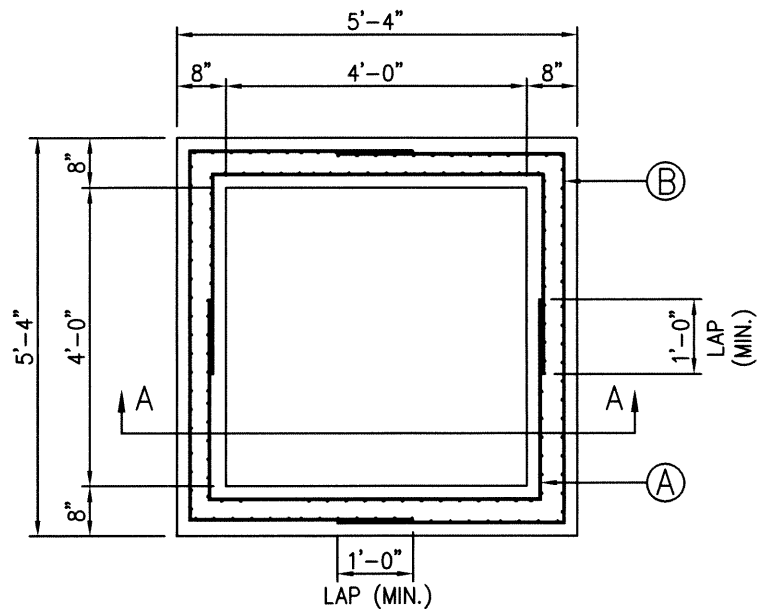
GENERAL NOTES:

- DESIGN LOADING: HL-93 LIVE LOAD
- THIS DRAWING TO BE USED AS AN ALTERNATE REINFORCEMENT DESIGN FOR THE FOLLOWING TDOT STANDARDS: D-CB-10SB, D-CB-12SB, D-CB-13SB, D-CB-25SB, D-CB-28SB & D-CB-41SB. FOR DETAILS NOT COVERED BY THIS DRAWING, REFERENCE THE ABOVE LISTED STANDARD DRAWINGS.
- PRECAST CONCRETE CATCH BASINS SHALL BE CONSTRUCTED TO COMPLY WITH ASTM C913.
- THE FOLLOWING MATERIAL PROPERTIES ARE REQUIRED FOR PRECAST STRUCTURES:  
 CONCRETE:  $f'_c = 5,000$  PSI AT 28 DAYS  
 REINFORCING STEEL: ASTM A615,  $F_y = 60,000$  PSI  
 WELDED WIRE REINFORCEMENT: ASTM A1064, WITH A MINIMUM YIELD STRENGTH OF 70,000 PSI. THE MINIMUM SPLICE LENGTH IS TO BE 12 INCHES UNLESS NOTED OTHERWISE. ALL REINFORCING STEEL TO BE INSTALLED AS DETAILED ON THIS DRAWING.
- APPROPRIATE SIZING AND LOCATION OF LIFTING DEVICES SHALL BE THE RESPONSIBILITY OF THE FABRICATOR.
- THE CONTRACTOR IS TO PATCH ALL LIFTING DEVICE HOLES WITH GROUT AND PLACE A MINIMUM OF 1 INCH OF COVER OVER THE HARDWARE OF THESE DEVICES ON BOTH TOP AND BOTTOM SURFACES.
- SEE STANDARD: D-CBB-12SB, D-CBB-13SB, D-CBB-25SB OR D-CB-41SB FOR CASTING DETAILS.
- CUT OUT HOLES BASED ON REINFORCED CONCRETE PIPE WITH WALL TYPE "B". HOLES TO BE FORMED IN ORDER TO OBTAIN A SMOOTH EDGED HOLE. SCORED OR ETCHED HOLES WITH REINFORCING LEFT UN CUT WILL NOT BE PERMITTED.
- ALL FLEXIBLE PIPE MATERIALS REQUIRE GASKET. SEE STANDARD D-PB-2.
- THIS DIMENSION MAY VARY FROM A MINIMUM OF 0 INCHES TO A MAXIMUM OF 24 INCHES AS LONG AS 23 INCHES IS SATISFIED. THE CONTRACTOR HAS THE OPTION OF USING BRICK OR STANDARD PRECAST CONCRETE RISER FRAMES. THE USE OF BRICK SHALL BE LIMITED TO 6 INCHES. IF THIS DIMENSION EXCEEDS 6 INCHES, PRECAST CONCRETE RISER FRAMES SHALL BE USED AS SHOWN ON STANDARD DRAWING D-RF-1.
- FOR CASES WHERE THE OUTLET PIPE DIAMETER IS LARGER THAN THE INLET PIPE DIAMETER, A MINIMUM 23 INCH DEPTH SHALL BE MAINTAINED ABOVE THE OUTLET PIPE.
- CONTRACTOR TO INSTALL PIPE COMPLETELY INTO WALL OPENING & FILL VOID BETWEEN PIPE & OPENING WITH NON-SHRINK GROUT PER STANDARD SPECIFICATION SECTION 921.
- PRECAST CATCH BASINS UNITS WHICH ARE DAMAGED DURING SHIPMENT OR INSTALLATION WILL BE REJECTED. IT SHALL BE THE RESPONSIBILITY OF THE CONTRACTOR TO REPLACE DAMAGED CATCH BASIN UNITS AT THEIR OWN EXPENSE.
- A MINIMUM OF 8" OF SOLID CONCRETE WALL TO BE MAINTAINED ABOVE THE HOLE CUT OUT DIRECTLY UNDER THE FLAT TOP SLAB AT THE TOP MOST SECTION.

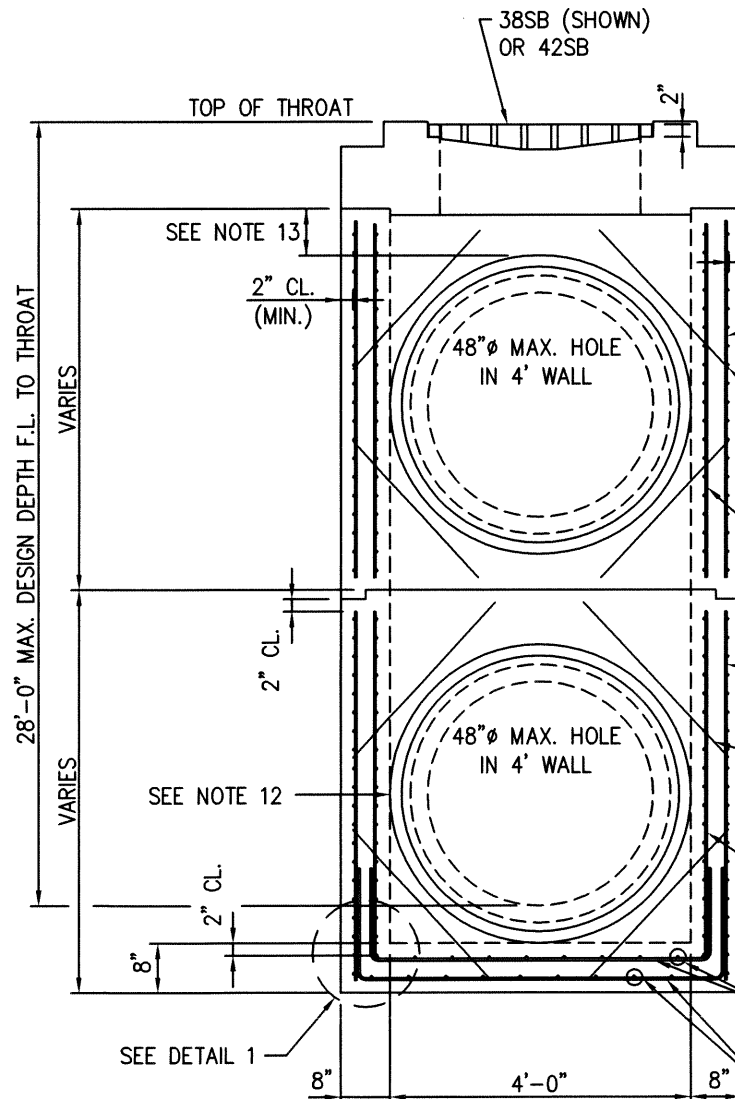


REVISIONS		FORTERRA WEST MEMPHIS PLANT 501 EAST JEFFERSON ST. WEST MEMPHIS, AR. PH. 870 735-5514	
PROJECT: TENNESSEE DOT ALTERNATE REINFORCEMENT DETAILS		SCALE: N.T.S.	DATE: 02/22/22
APPROVED BY: <i>Dwain R. Hamby</i>		DRAWN BY: J.A.E.	
4'-0" X 4'-0" PRECAST CATCH BASIN			
FORTERRA DWG. FILE Forterra TDOT Alt	CHECKED BY: D.R.H.	SHEET 1 OF 2	

Z:\1 Forterra\Engineering\Projects\TDOT\KCAD Dwg\Forterra TDOT AR 2in.cdwg\_2/24/2022 1:35:52 PM



PLAN VIEW  
(TOP, GRATE & GRADE RISERS NOT SHOWN)



SECTION A-A  
(ELEVATION 38SB SHOWN)

WWR 3X3-D7.5XD7.5  
AREA PROVIDED = .30 IN<sup>2</sup>/FT. E.W.

ADDITIONAL #4 BARS @ 2" CL.  
AROUND ALL OPENINGS IN  
WALLS & SLABS. TIE TO INSIDE  
CAGE.

WWR 3X3-D7.5XD7.5  
AREA PROVIDED = .30 IN<sup>2</sup>/FT. E.W.

ADDITIONAL #4 BARS @ 2" CL.  
AROUND ALL OPENINGS IN  
WALLS & SLABS. TIE TO INSIDE  
CAGE.

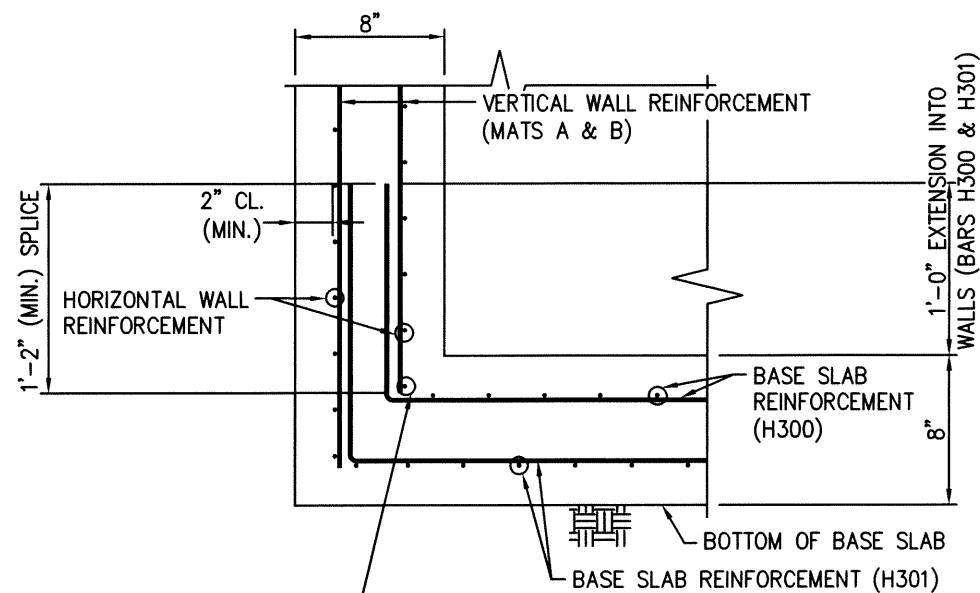
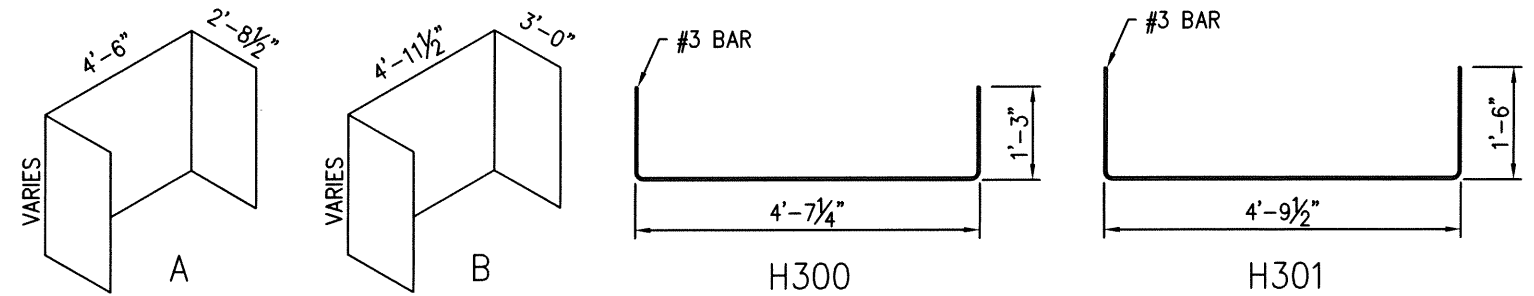
WWR 3X3-D7.5XD7.5  
AREA PROVIDED = .30 IN<sup>2</sup>/FT. E.W.

ADDITIONAL #4 BARS @ 2" CL.  
AROUND ALL OPENINGS IN  
WALLS & SLABS. TIE TO INSIDE  
CAGE.

BARS H300 @ 6" O.C. MAX. SPACING E.W.  
AREA PROVIDED = .22 IN<sup>2</sup>/FT. E.W.

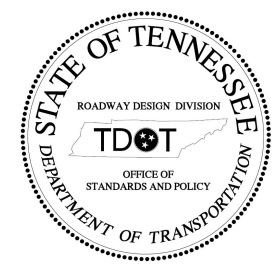
BARS H301 @ 6" O.C. MAX. SPACING E.W.  
AREA PROVIDED = .22 IN<sup>2</sup>/FT. E.W.

REINFORCING STEEL SCHEDULE			
MARK	NO. REQ'D.	LENGTH	TYPE
A	2	SEE DIAGRAM	BENT
B	2	SEE DIAGRAM	BENT
H300	18	SEE DIAGRAM	BENT
H301	20	SEE DIAGRAM	BENT

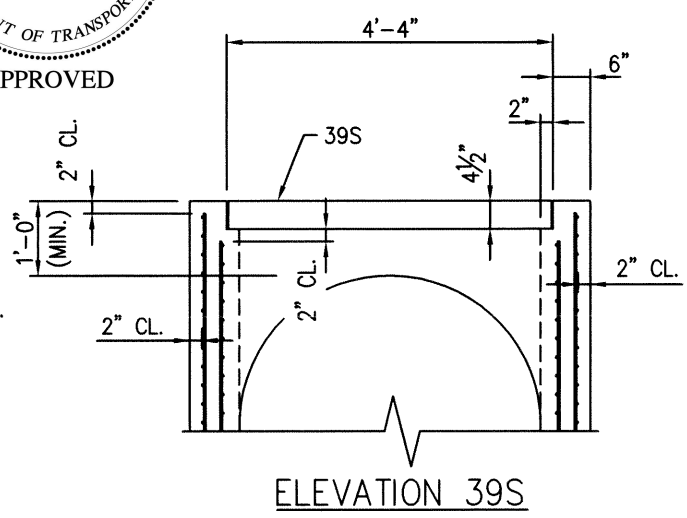


DETAIL 1

NOTE: WALL & BASE SLAB POURED MONOLITHICALLY.



APPROVED



ELEVATION 39S

GENERAL NOTES:

- DESIGN LOADING: HL-93 LIVE LOAD
- THIS DRAWING TO BE USED AS AN ALTERNATE REINFORCEMENT DESIGN FOR THE FOLLOWING TDOT STANDARDS: D-CB-38SB, D-CB-39S & D-CB-42SB. FOR DETAILS NOT COVERED BY THIS DRAWING, REFERENCE THE ABOVE LISTED STANDARD DRAWINGS.
- PRECAST CONCRETE CATCH BASINS SHALL BE CONSTRUCTED TO COMPLY WITH ASTM C913.
- THE FOLLOWING MATERIAL PROPERTIES ARE REQUIRED FOR PRECAST STRUCTURES:  
CONCRETE:  $f'_c = 5,000$  PSI AT 28 DAYS  
REINFORCING STEEL: ASTM A615,  $F_y = 60,000$  PSI  
WELDED WIRE REINFORCEMENT: ASTM A1064, WITH A MINIMUM YIELD STRENGTH OF 70,000 PSI. THE MINIMUM SPLICE LENGTH IS TO BE 12 INCHES UNLESS NOTED OTHERWISE. ALL REINFORCING STEEL TO BE INSTALLED AS DETAILED ON THIS DRAWING.
- APPROPRIATE SIZING AND LOCATION OF LIFTING DEVICES SHALL BE THE RESPONSIBILITY OF THE FABRICATOR.
- THE CONTRACTOR IS TO PATCH ALL LIFTING DEVICE HOLES WITH GROUT AND PLACE A MINIMUM OF 1 INCH OF COVER OVER THE HARDWARE OF THESE DEVICES ON BOTH TOP AND BOTTOM SURFACES.
- SEE STANDARD: D-CB-38SB, D-CB-39S & D-CB-42SB FOR CASTING DETAILS.
- CUT OUT HOLES BASED ON REINFORCED CONCRETE PIPE WITH WALL TYPE "B". HOLES TO BE FORMED IN ORDER TO OBTAIN A SMOOTH EDGED HOLE. SCORED OR ETCHED HOLES WITH REINFORCING LEFT UNCUT WILL NOT BE PERMITTED.
- ALL FLEXIBLE PIPE MATERIALS REQUIRE GASKET. SEE STANDARD D-PB-2.
- FOR CASES WHERE THE OUTLET PIPE DIAMETER IS LARGER THAN THE INLET PIPE DIAMETER, A MINIMUM 8 INCH (D-CB-38SB & D-CB-42SB) AND 12 INCH (D-CB-39S) DEPTH SHALL BE MAINTAINED ABOVE THE OUTLET PIPE.
- CONTRACTOR TO INSTALL PIPE COMPLETELY INTO WALL OPENING & FILL VOID BETWEEN PIPE & OPENING WITH NON-SHRINK GROUT PER STANDARD SPECIFICATION SECTION 921.
- PRECAST CATCH BASINS UNITS WHICH ARE DAMAGED DURING SHIPMENT OR INSTALLATION WILL BE REJECTED. IT SHALL BE THE RESPONSIBILITY OF THE CONTRACTOR TO REPLACE DAMAGED CATCH BASIN UNITS AT THEIR OWN EXPENSE.
- A MINIMUM OF 8" FOR 38SB OR 42SB AND 12" FOR 39S OF SOLID CONCRETE WALL TO BE MAINTAINED ABOVE THE HOLE CUT OUT DIRECTLY UNDER THE FLAT TOP SLAB AT THE TOP MOST SECTION.



REVISIONS			
		<b>FORTERRA</b> WEST MEMPHIS PLANT 501 EAST JEFFERSON ST. WEST MEMPHIS, AR. PH. 870 735-5514	
PROJECT: TENNESSEE DOT ALTERNATE REINFORCEMENT DETAILS			
SCALE: N.T.S.	DATE: 02/22/22	APPROVED BY: <i>[Signature]</i>	DRAWN BY: J.A.E.
4'-0" X 4'-0" PRECAST CATCH BASIN			
FORTERRA DWG. FILE Forterra TDOT Alt	CHECKED BY: D.R.H.	SHEET 2 OF 2	

Z:\11 Forterra\Engineering\pilot\TDOT\ACAD Dwg\Forterra TDOT Alt 2n.dwg, 2/24/2022 2:22:53 PM