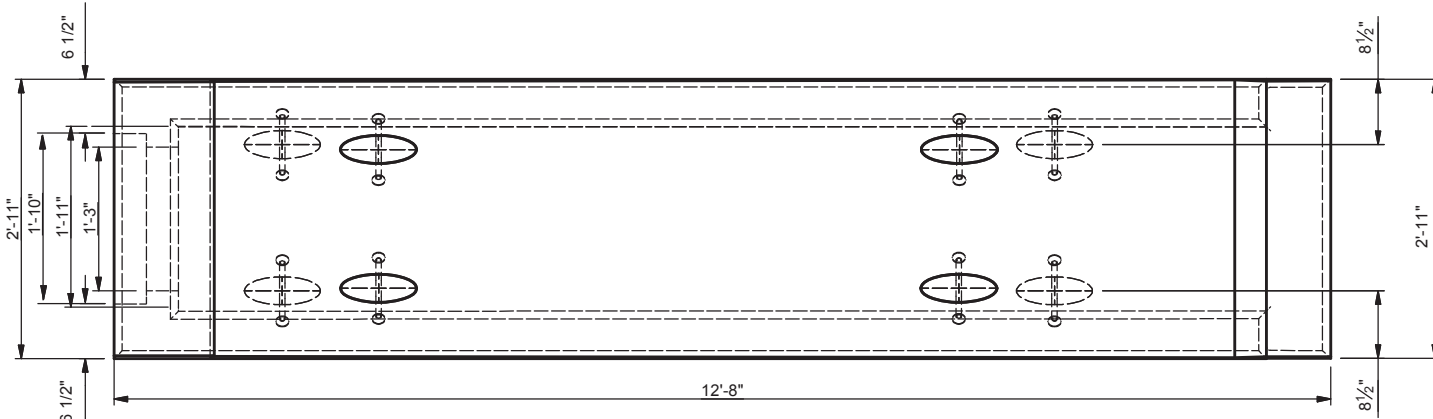
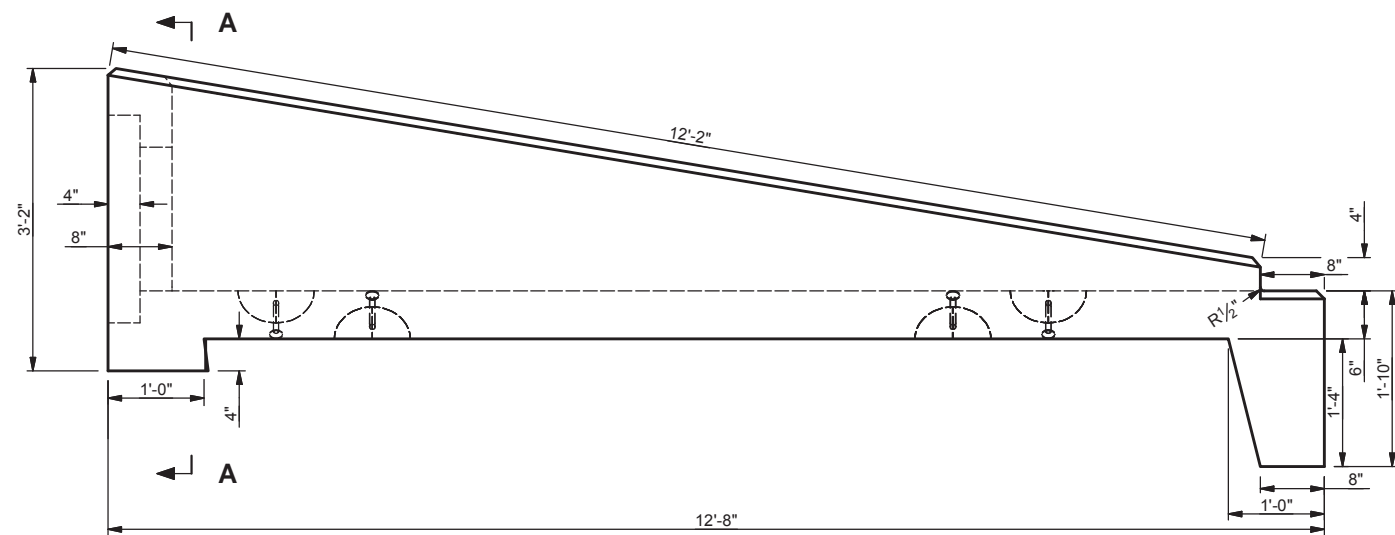


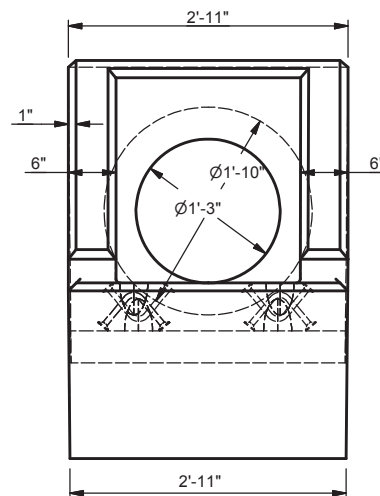
PLAN VIEW
SCALE 1/2"=1'-0"



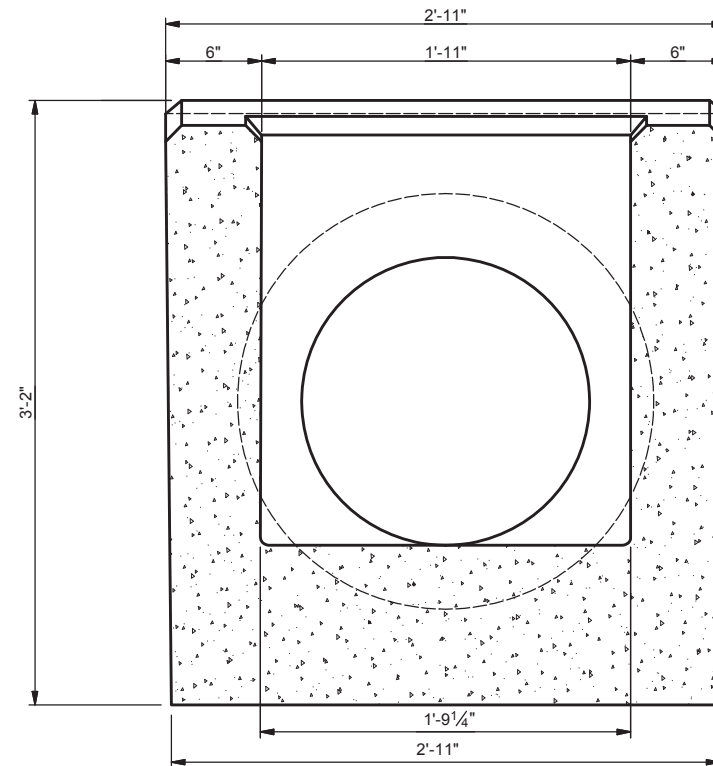
BOTTOM VIEW
SCALE 1/2"=1'-0"



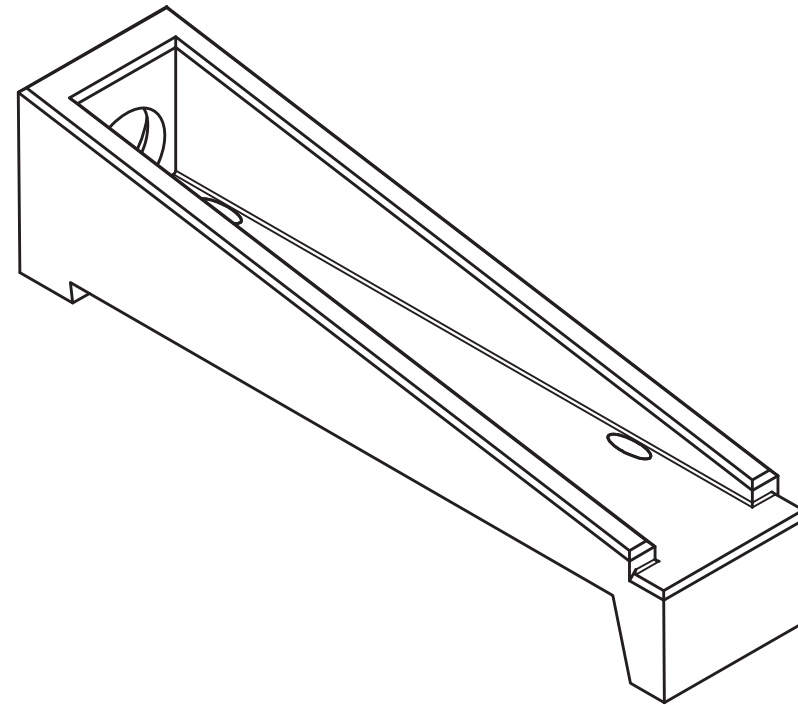
SIDE VIEW
SCALE 1/2"=1'-0"



FRONT VIEW
SCALE 1/2"=1'-0"



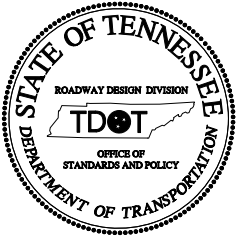
SECTION A-A
SCALE 1"=1'



ISOMETRIC VIEW
SCALE 3/8"=1'-0"

TO BE STENCILED:

- CUSTOMER:
- JOB:
- ID:
- INV#:
- SO#:
- WEIGHT: 6,100 LBS
- DWG# D-PE-15A
- ITEM#: 611-07.53
- TDOT
- DAN



PRODUCTION NOTES:

- PM:
- DUE:

STRUCTURAL NOTES:

1. CONCRETE: 28 DAY COMPRESSIVE STRENGTH $f'_c=4,500$ psi
2. REBAR: PER TDOT DRAWINGS #D-PE-15A
3. DESIGN: TDOT SPECIFICATION

TAPER NOTE:

-INTERIOR CORE WIDTH VARIES FROM 1'11" TO 1'9 1/4"

BILL OF MATERIALS

#	QUANTITY	DESCRIPTION	ITEM #
1	8 EA	5CA14 UTILITY ANCHORS	7135006
	1.49 YDS	CONCRETE	8204010
	123.1 LBS	#4 BAR	8040400
	10.7 LBS	#7 BAR	8040700



THIS DOCUMENT IS THE PROPERTY OF OLDCASTLE PRECAST, INC. IT IS CONFIDENTIAL, SUBMITTED FOR REFERENCE PURPOSES ONLY, AND SHALL NOT BE USED IN ANY WAY INJURIOUS TO THE INTERESTS OF, OR WITHOUT THE WRITTEN PERMISSION OF OLDCASTLE PRECAST, INC. COPYRIGHT ©2013 OLDCASTLE PRECAST, INC. ALL RIGHTS RESERVED.

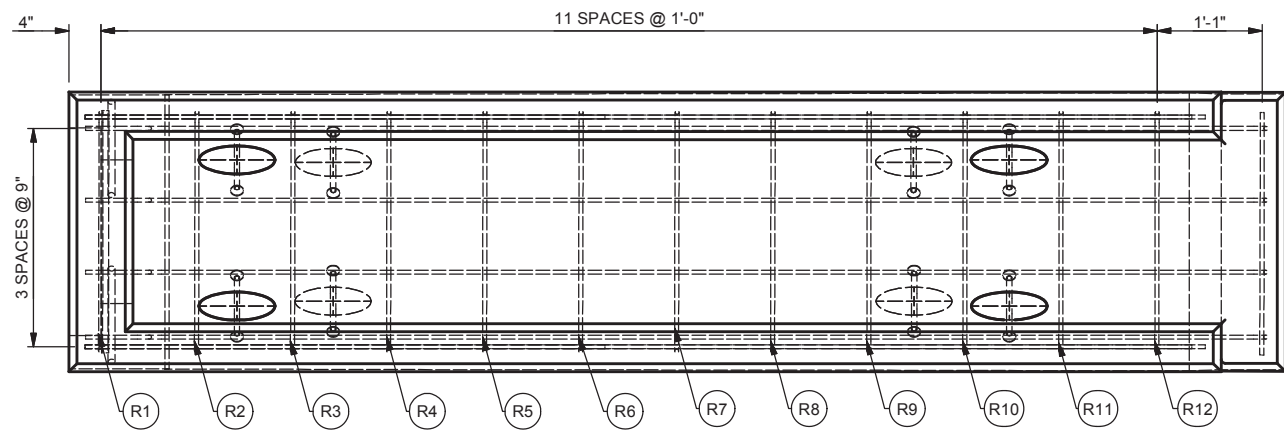
6:1 D-PE-15A

TDOT
TENNESSEE

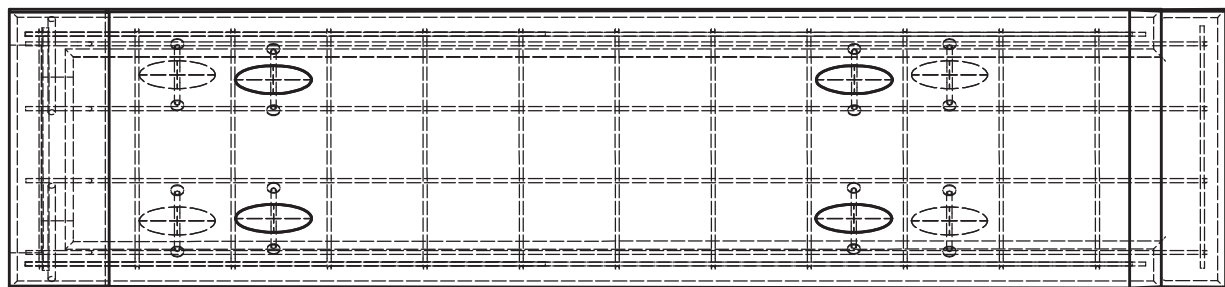
CUSTOMER
STOCK

DATE	SALES	DRAWN	ENGINEER	CHECKED	SALES ORDER
7/3/2013		CMM	TDOT		
DRAWING NUMBER 6B-15 PRODUCTION DRAWING.idw				REVISION	SHEET
				DATE	1 OF 1

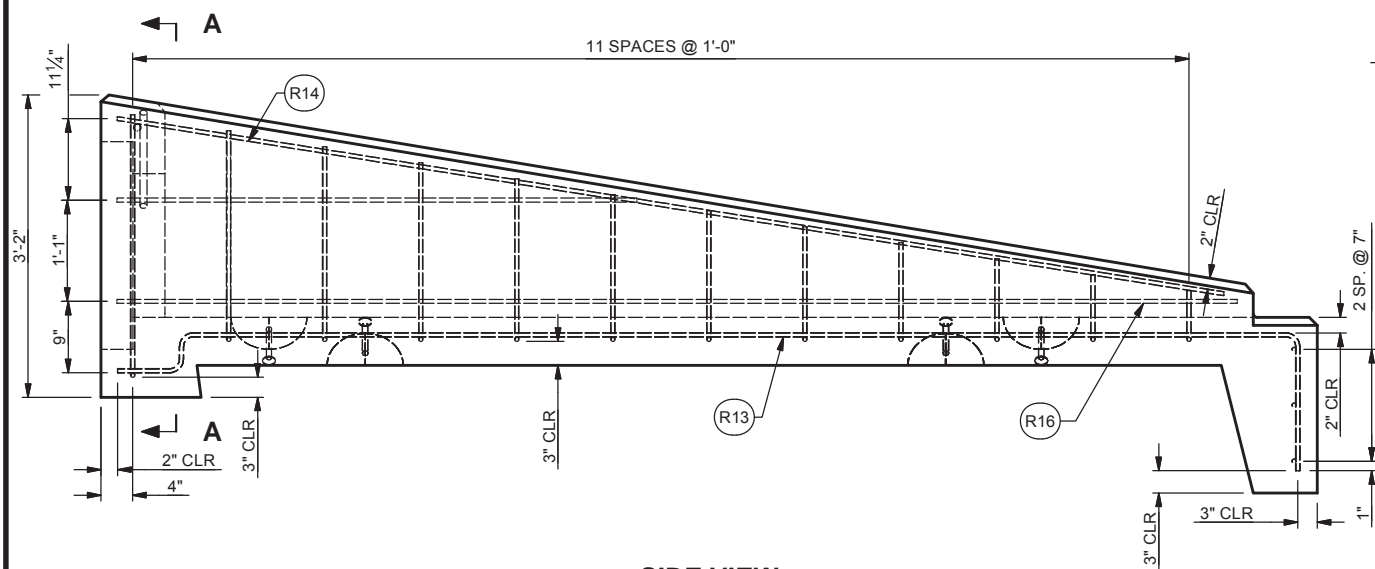
F:\engineering\NCS-07-15-09\Standard Product\TDOT\State Endwalls\TDOT ENDWALLS (INVENTOR DRAWINGS)\6B-18 (TDOT)\6B-18 STEEL DRAWING.idw



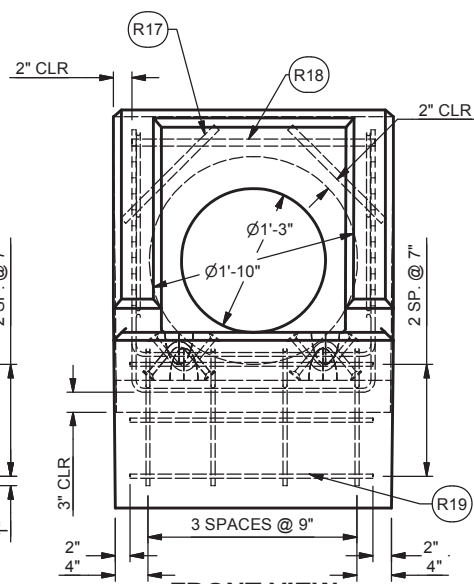
PLAN VIEW
SCALE 1/2"=1'-0"



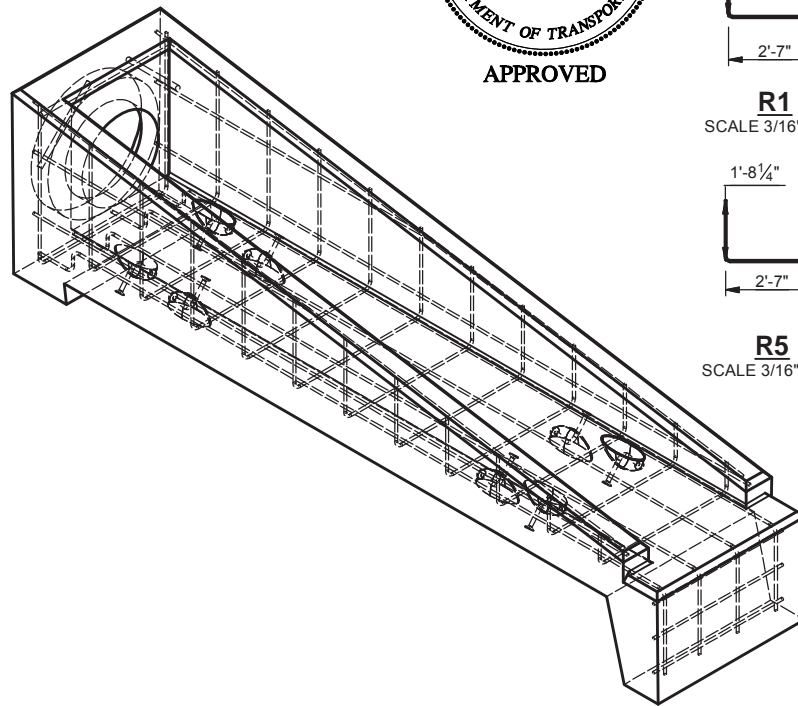
BOTTOM VIEW
SCALE 1/2"=1'-0"



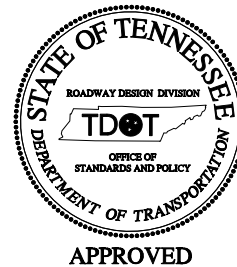
SIDE VIEW
SCALE 1/2"=1'-0"



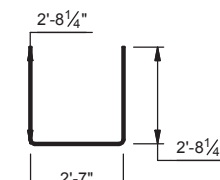
FRONT VIEW
SCALE 1/2"=1'-0"



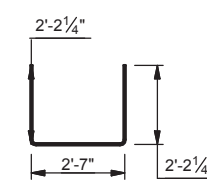
ISOMETRIC VIEW
SCALE 3/8"=1'-0"



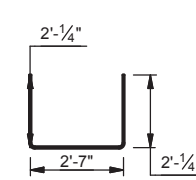
*REBAR BENDS HAVE BEEN ACCOUNTED FOR**



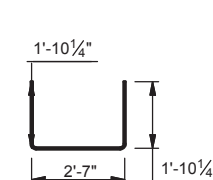
R1
SCALE 3/16"=1'-0"



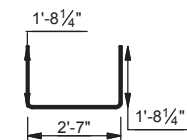
R2
SCALE 3/16"=1'-0"



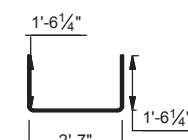
R3
SCALE 3/16"=1'-0"



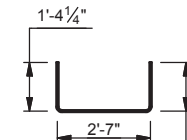
R4
SCALE 3/16"=1'-0"



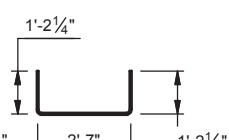
R5
SCALE 3/16"=1'-0"



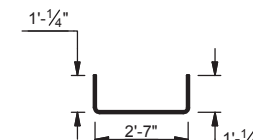
R6
SCALE 3/16"=1'-0"



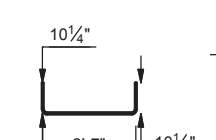
R7
SCALE 3/16"=1'-0"



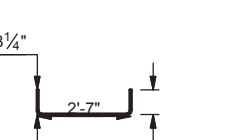
R8
SCALE 3/16"=1'-0"



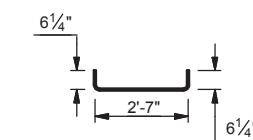
R9
SCALE 3/16"=1'-0"



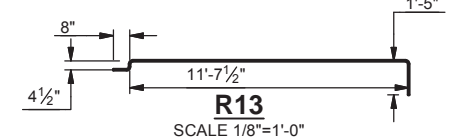
R10
SCALE 3/16"=1'-0"



R11
SCALE 3/16"=1'-0"



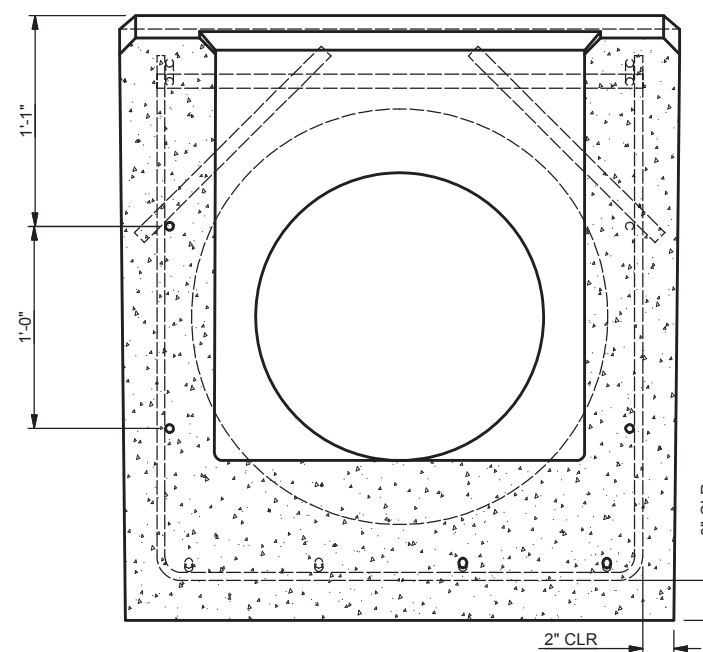
R12
SCALE 3/16"=1'-0"



R13
SCALE 1/8"=1'-0"

REINFORCEMENT CUT LIST

#	QTY	MATERIAL	LENGTH	SHAPE
R1	1	#4 BAR	7'-10"	U BAR
R2	1	#4 BAR	6'-10"	U BAR
R3	1	#4 BAR	6'-6"	U BAR
R4	1	#4 BAR	6'-2"	U BAR
R5	1	#4 BAR	5'-10"	U BAR
R6	1	#4 BAR	5'-6"	U BAR
R7	1	#4 BAR	5'-2"	U BAR
R8	1	#4 BAR	4'-10"	U BAR
R9	1	#4 BAR	4'-6"	U BAR
R10	1	#4 BAR	4'-2"	U BAR
R11	1	#4 BAR	3'-10"	U BAR
R12	1	#4 BAR	3'-6"	U BAR
R13	4	#4 BAR	13'-8 3/4"	BENT
R14	2	#4 BAR	11'-8"	STR
R15	2	#4 BAR	5'-5"	STR
R16	2	#4 BAR	11'-5"	STR
R17	2	#7 BAR	1'-4"	STR
R18	1	#7 BAR	2'-7"	STR
R19	3	#4 BAR	2'-7"	STR



SECTION A-A
SCALE 1"=1'



THIS DOCUMENT IS THE PROPERTY OF OLDCASTLE PRECAST, INC. IT IS CONFIDENTIAL, SUBMITTED FOR REFERENCE PURPOSES ONLY, AND SHALL NOT BE USED IN ANY WAY INJURIOUS TO THE INTERESTS OF, OR WITHOUT THE WRITTEN PERMISSION OF OLDCASTLE PRECAST, INC. COPYRIGHT ©2013 OLDCASTLE PRECAST, INC. ALL RIGHTS RESERVED.

6:1 D-PE-15A

TDOT
TENNESSEE

CUSTOMER STOCK

DATE	SALES	DRAWN	ENGINEER	CHECKED	SALES ORDER
7/3/2013		CMM	TDOT		

DRAWING NUMBER	REVISION	SHEET
6B-15 STEEL DRAWING.idw	DATE	1 OF 1