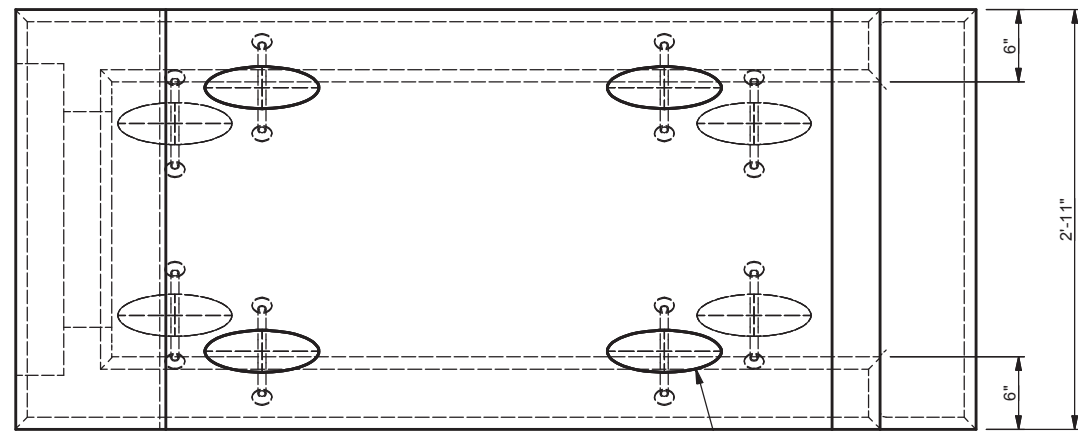
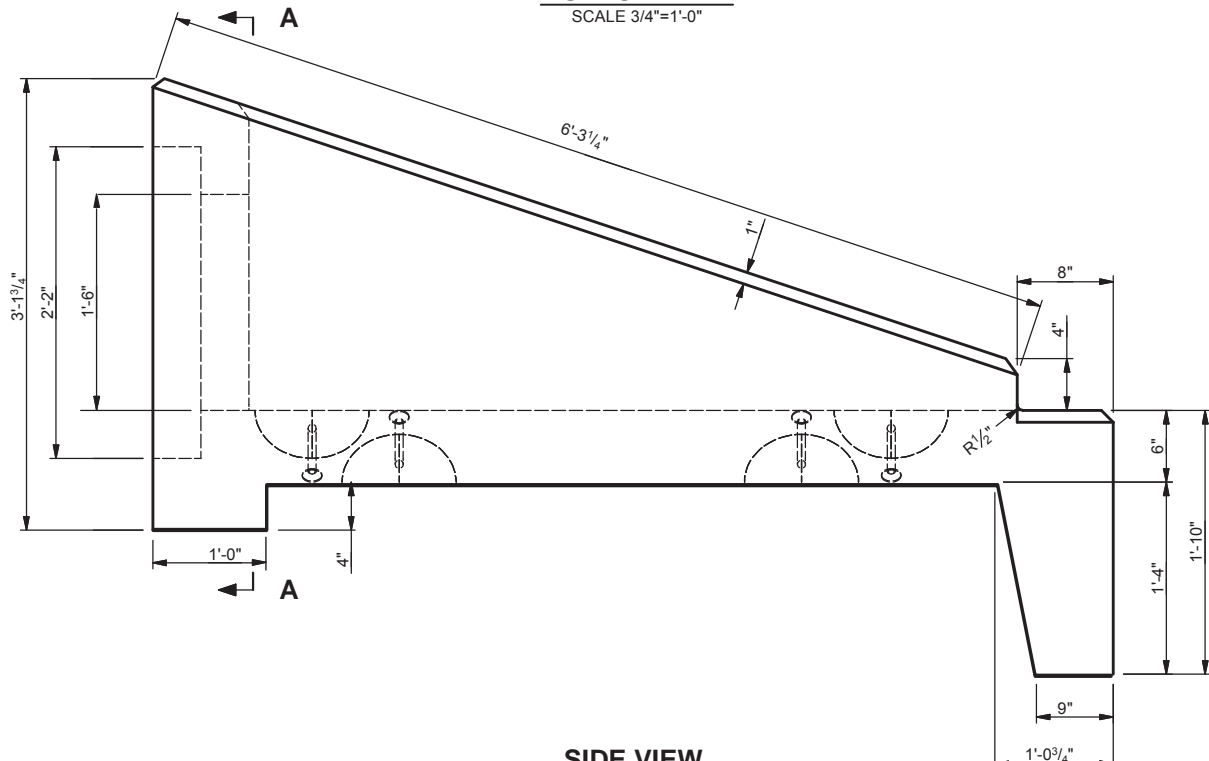


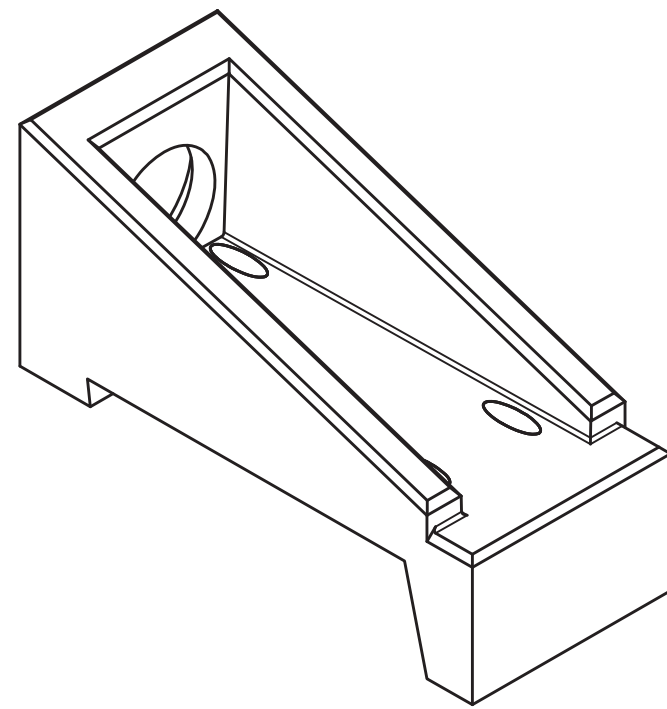
**PLAN VIEW**  
SCALE 3/4"=1'-0"



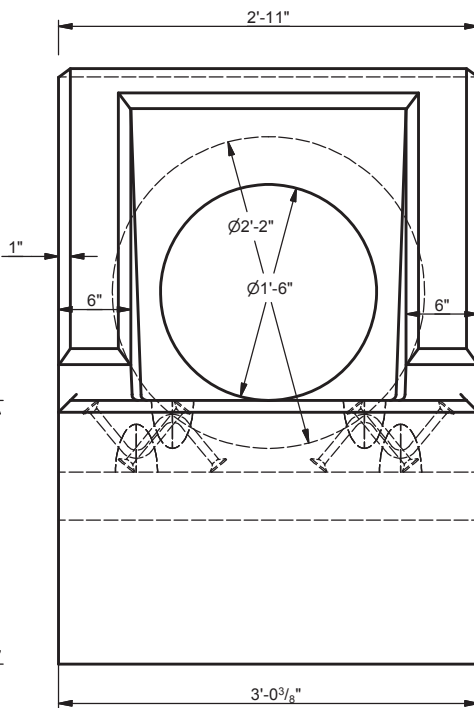
**BOTTOM VIEW**  
SCALE 3/4"=1'-0"



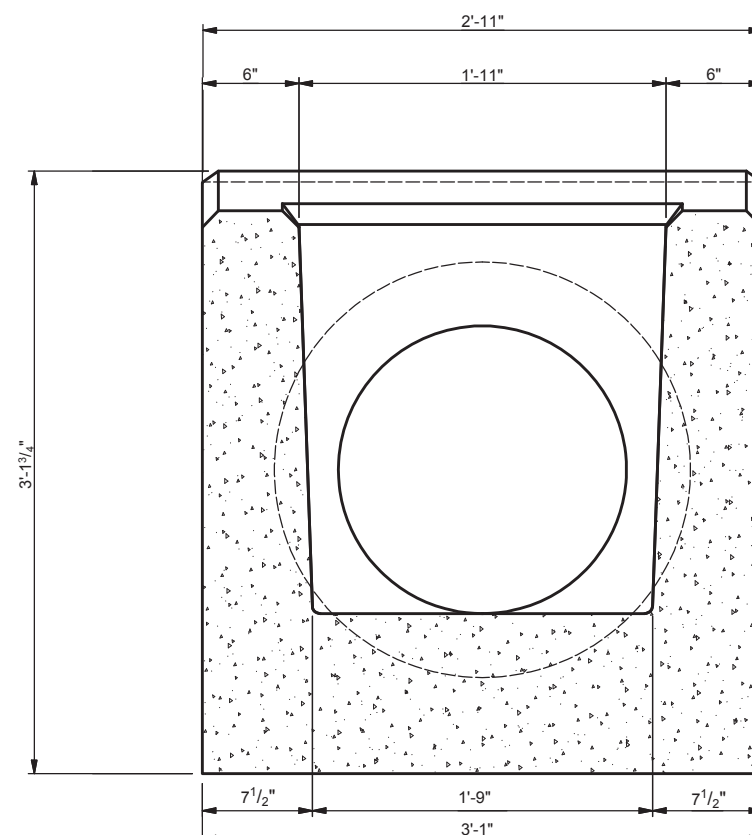
**SIDE VIEW**  
SCALE 3/4"=1'-0"



**ISOMETRIC VIEW**  
SCALE 1/2"=1'-0"



**FRONT VIEW**  
SCALE 3/4"=1'-0"



**SECTION A-A**  
SCALE 1"=1'

**TO BE STENCILED:**

- CUSTOMER:
- JOB:
- ID: 3B-18
- INV#:
- SO#:
- WEIGHT: 3,500 LBS
- DWG: D-PE-18A
- ITEM: 611.07.54
- TDOT
- DAN

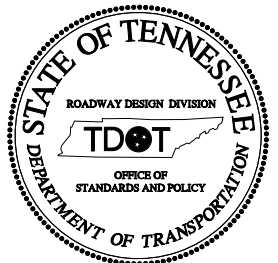
**PRODUCTION NOTES:**

- PM:
- DUE:

**STRUCTURAL NOTES:**

1. CONCRETE: 28 COMPRESSIVE STRENGTH  $f'_c=4500$  psi
2. REBAR: PER TDOT DRAWING # D-PE-18A
3. DESIGN: TDOT SPECIFICATION

**TAPER NOTES:**  
 -WALL WIDTH VARIES FROM 6" TO 7 1/2"  
 -INTERIOR CORE WIDTH VARIES FROM 1'11" TO 1'9"



APPROVED

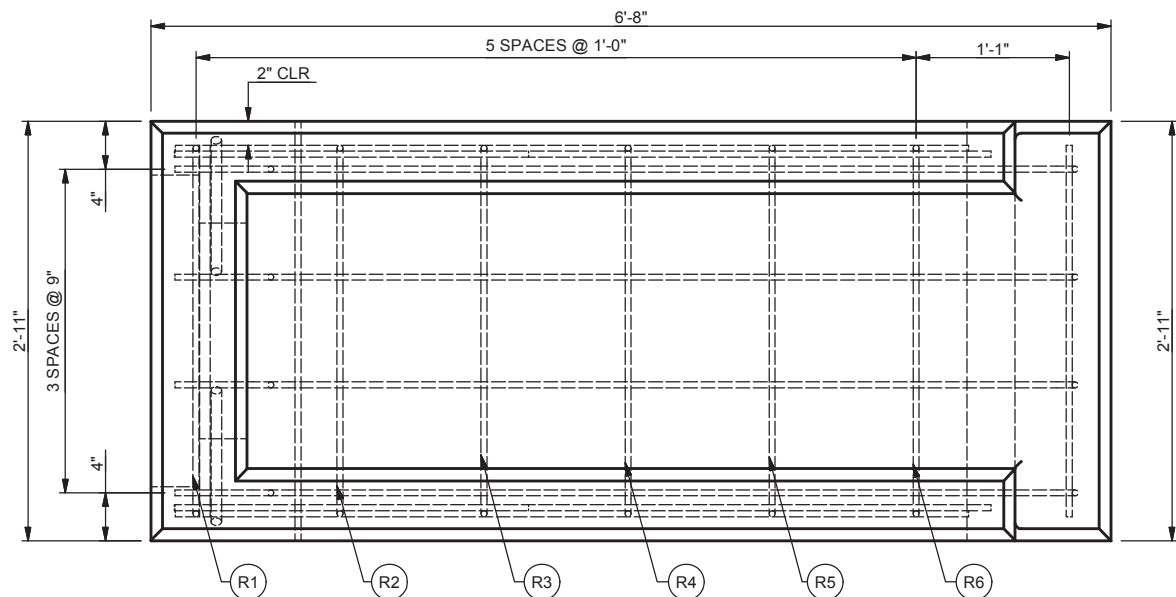
BILL OF MATERIALS			
#	QUANTITY	DESCRIPTION	ITEM #
1	8 EA	5CA14 UTILITY ANCHORS	7135006
	0.87 CYD	CONCRETE	8204010
	66.4 LBS	#4 BAR	8040400
	10.7 LBS	#7 BAR	8040700



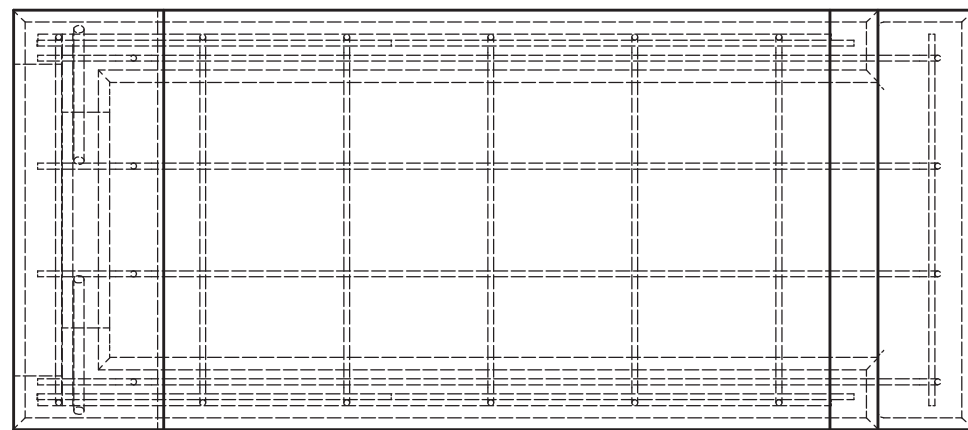
THIS DOCUMENT IS THE PROPERTY OF OLDCASTLE PRECAST, INC. IT IS CONFIDENTIAL, SUBMITTED FOR REFERENCE PURPOSES ONLY, AND SHALL NOT BE USED IN ANY WAY INJURIOUS TO THE INTERESTS OF, OR WITHOUT THE WRITTEN PERMISSION OF OLDCASTLE PRECAST, INC. COPYRIGHT ©2013 OLDCASTLE PRECAST, INC. ALL RIGHTS RESERVED.

3:1 D-PE-18A			
TDOT TENNESSEE			
CUSTOMER STOCK			
DATE	SALES	DRAWN	ENGINEER
7/3/2013		CMM	TDOT
DRAWING NUMBER		REVISION	SHEET
3B-18 PRODUCTION		DATE	1 OF 1
DRAWING.idw			

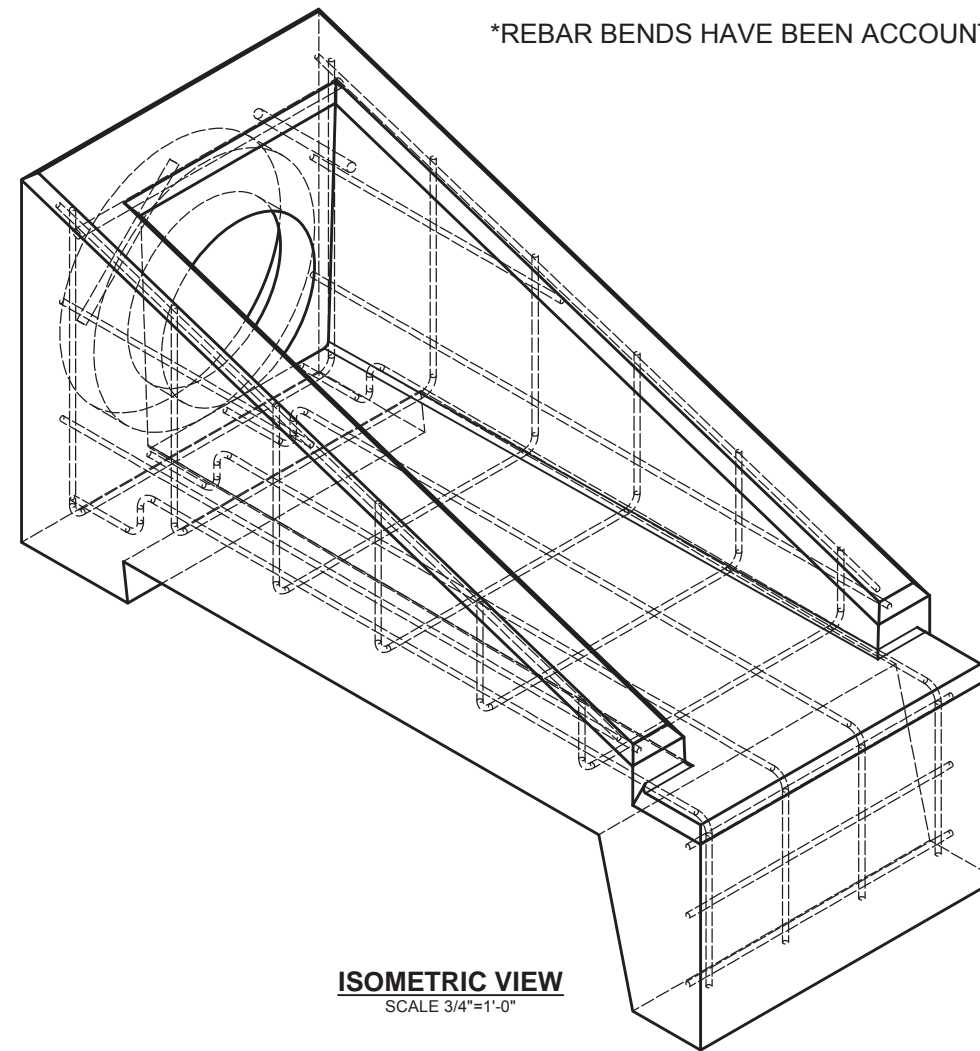
F:\engineering\NCS-07-15-09\Standard Product\TDOT\State Endwalls\TDOT ENDWALLS (INVENTOR DRAWINGS)\3B-18 (TDOT)\3B-18 STEEL DRAWING.idw



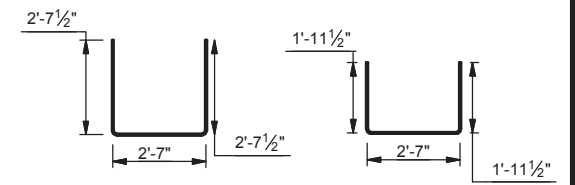
**PLAN VIEW**  
SCALE 3/4"=1'-0"



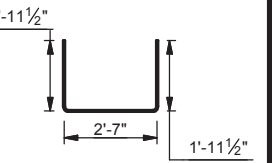
**BOTTOM VIEW**  
SCALE 3/4"=1'-0"



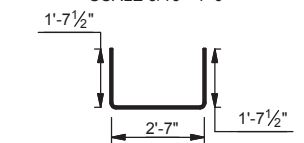
**ISOMETRIC VIEW**  
SCALE 3/4"=1'-0"



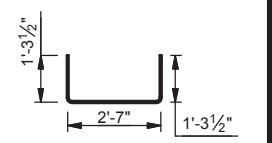
**R1**  
SCALE 3/16"=1'-0"



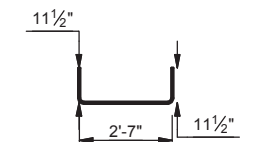
**R2**  
SCALE 3/16"=1'-0"



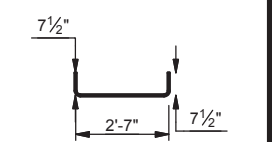
**R3**  
SCALE 3/16"=1'-0"



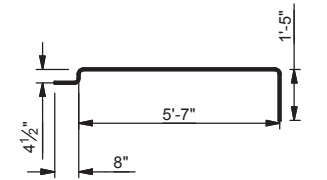
**R4**  
SCALE 3/16"=1'-0"



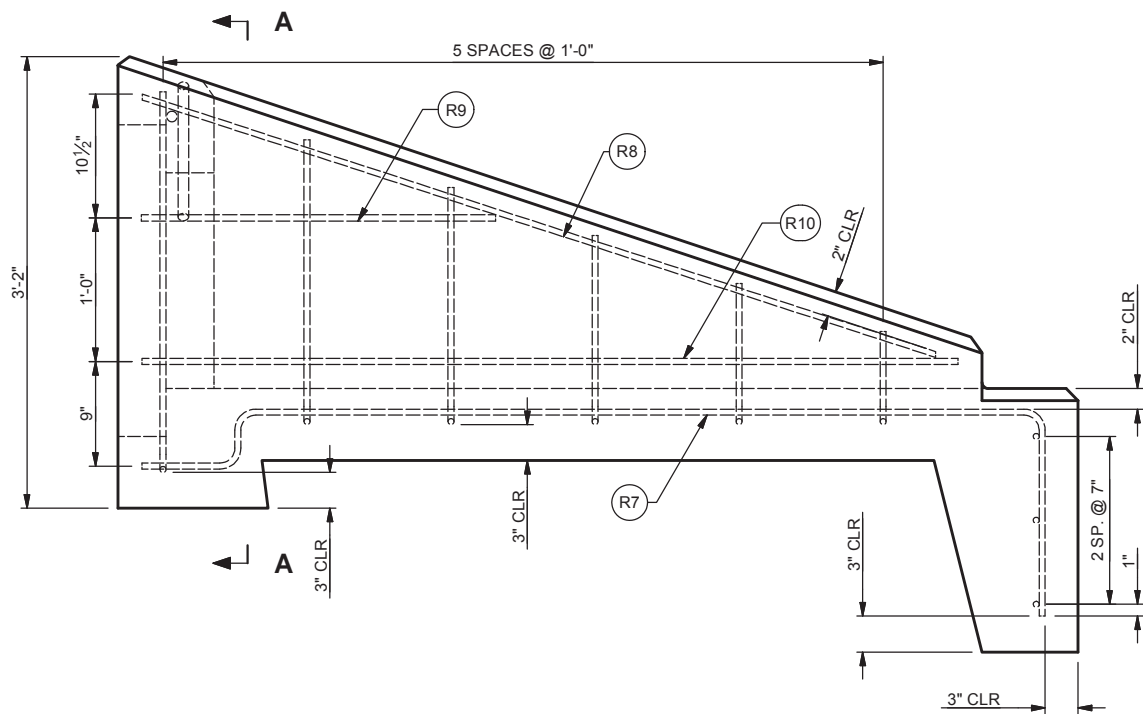
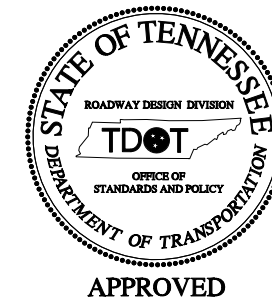
**R5**  
SCALE 3/16"=1'-0"



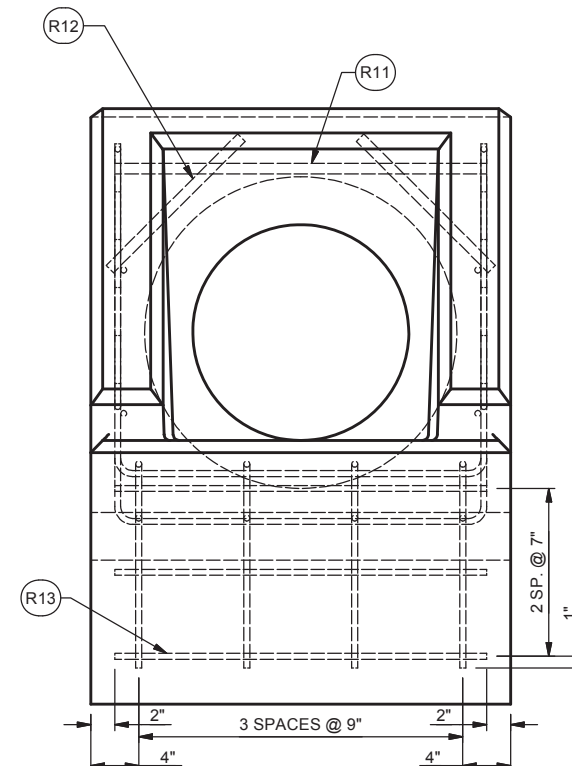
**R6**  
SCALE 3/16"=1'-0"



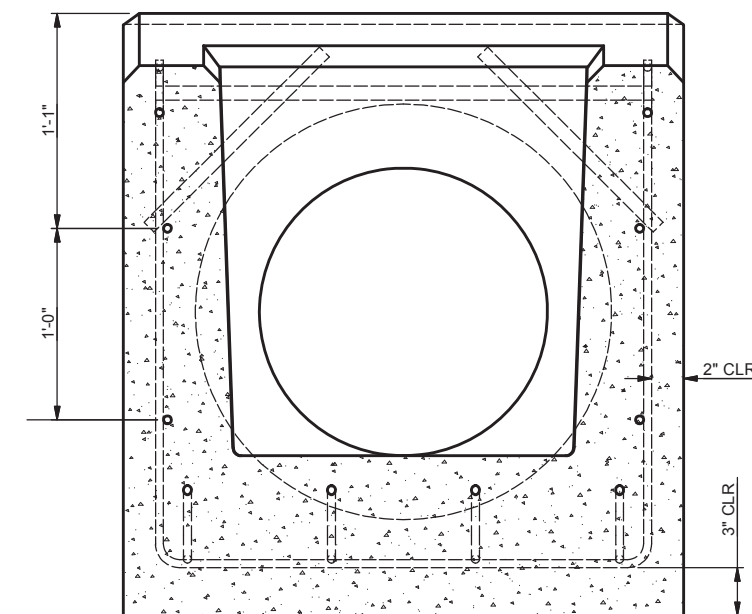
**R7**  
SCALE 3/16"=1'-0"



**SIDE VIEW**  
SCALE 3/4"=1'-0"



**FRONT VIEW**  
SCALE 3/4"=1'-0"



**SECTION A-A**  
SCALE 1"=1'

REINFORCEMENT CUT LIST				
#	QTY	MATERIAL	LENGTH	SHAPE
R1	1	#4 BAR	7'-8 1/2"	U BAR
R2	1	#4 BAR	6'-4 1/2"	U BAR
R3	1	#4 BAR	5'-8 1/2"	U BAR
R4	1	#4 BAR	5'-0 1/2"	U BAR
R5	1	#4 BAR	4'-4 1/2"	U BAR
R6	1	#4 BAR	3'-8 1/2"	U BAR
R7	4	#4 BAR	7'-8 3/4"	BENT
R8	2	#4 BAR	5'-9 1/2"	STR
R9	2	#4 BAR	2'-7"	STR
R10	2	#4 BAR	5'-6"	STR
R11	1	#7 BAR	2'-7"	STR
R12	2	#7 BAR	1'-4"	STR
R13	3	#4 BAR	2'-7"	STR



THIS DOCUMENT IS THE PROPERTY OF OLDCASTLE PRECAST, INC. IT IS CONFIDENTIAL, SUBMITTED FOR REFERENCE PURPOSES ONLY, AND SHALL NOT BE USED IN ANY WAY INJURIOUS TO THE INTERESTS OF, OR WITHOUT THE WRITTEN PERMISSION OF OLDCASTLE PRECAST, INC. COPYRIGHT ©2013 OLDCASTLE PRECAST, INC. ALL RIGHTS RESERVED.

3:1 D-PE-18A

TDOT  
TENNESSEE

CUSTOMER  
STOCK

DATE	SALES	DRAWN	ENGINEER	CHECKED	SALES ORDER
7/3/2013		CMM	TDOT		
DRAWING NUMBER				REVISION	SHEET
3B-18 STEEL DRAWING.idw				DATE	1 OF 1