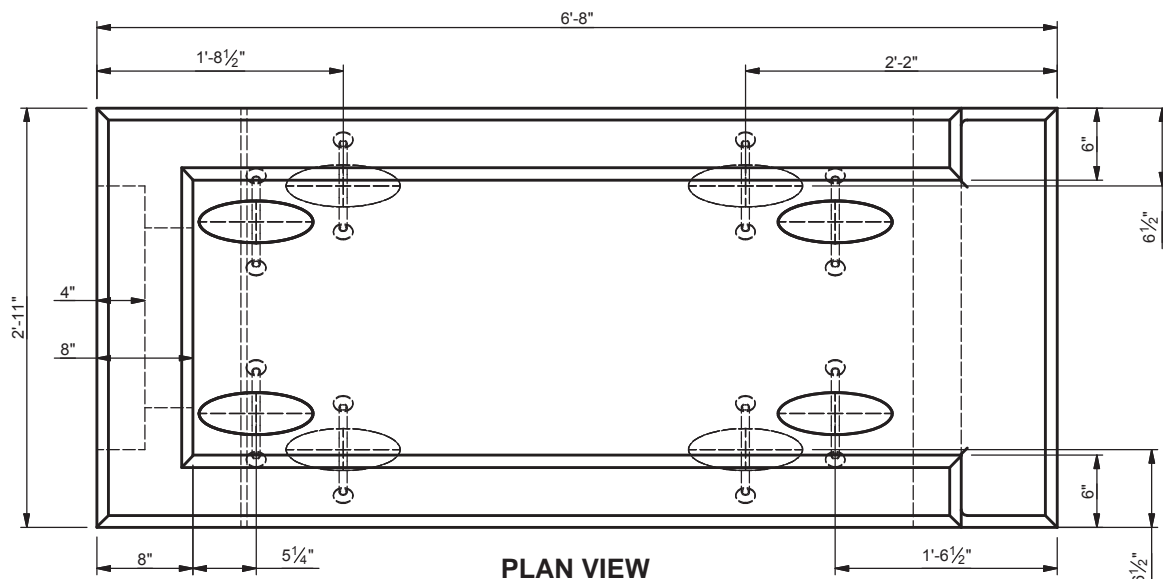
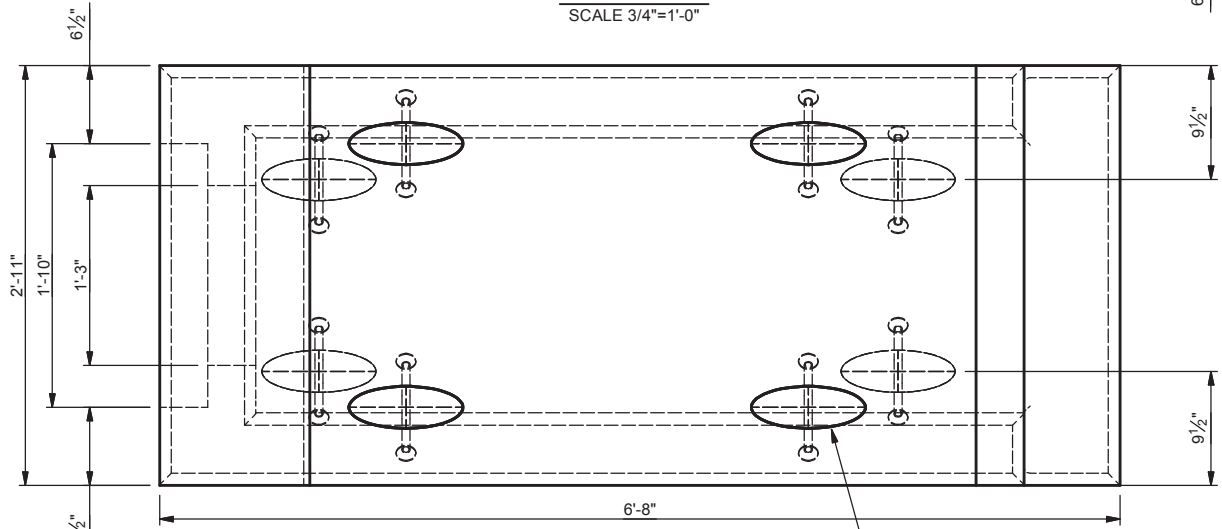


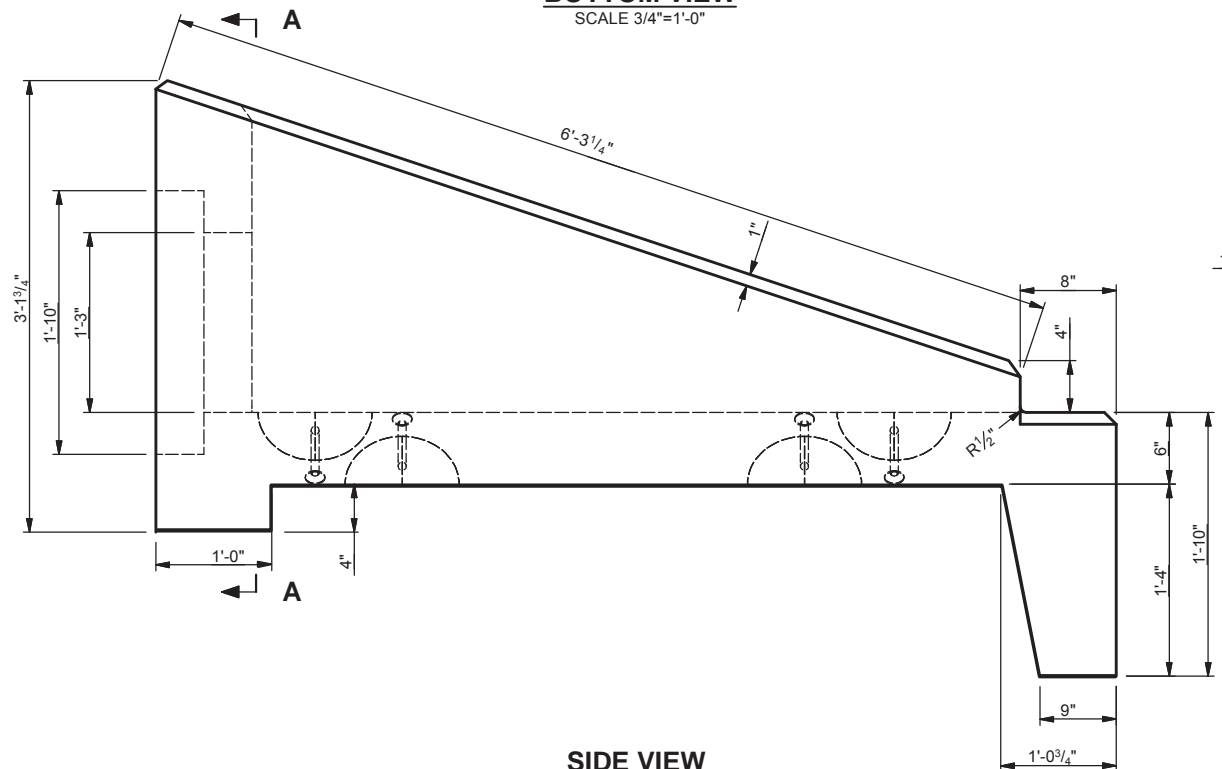
F:\engineering\NCS-07-15-09\Standard Product\TDOT\State Endwalls\TDOT ENDWALLS (INVENTOR DRAWINGS)\3B-15 (TDOT)\3B-15 PRODUCTION DRAWING.idw



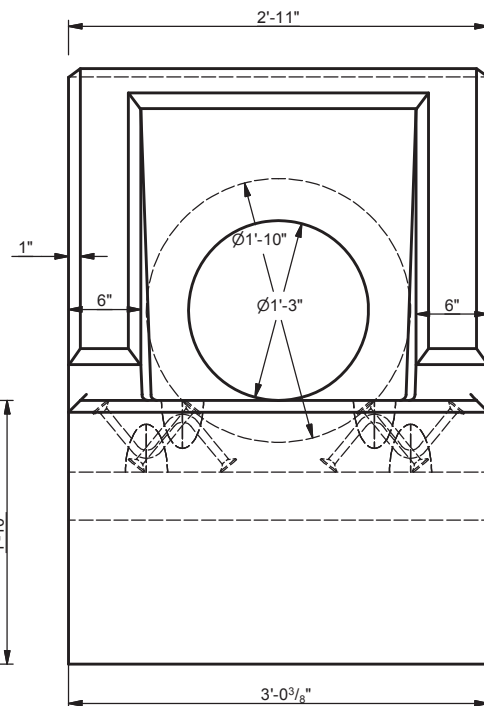
PLAN VIEW
SCALE 3/4"=1'-0"



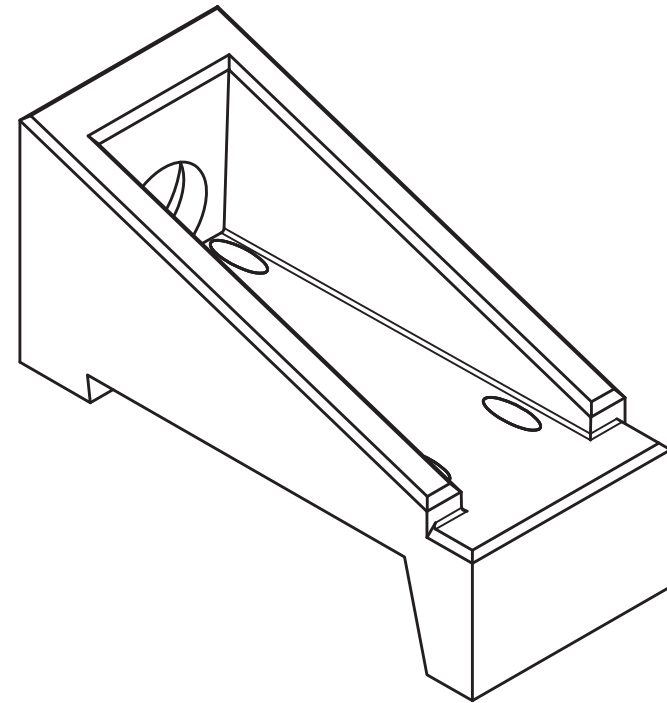
BOTTOM VIEW
SCALE 3/4"=1'-0"



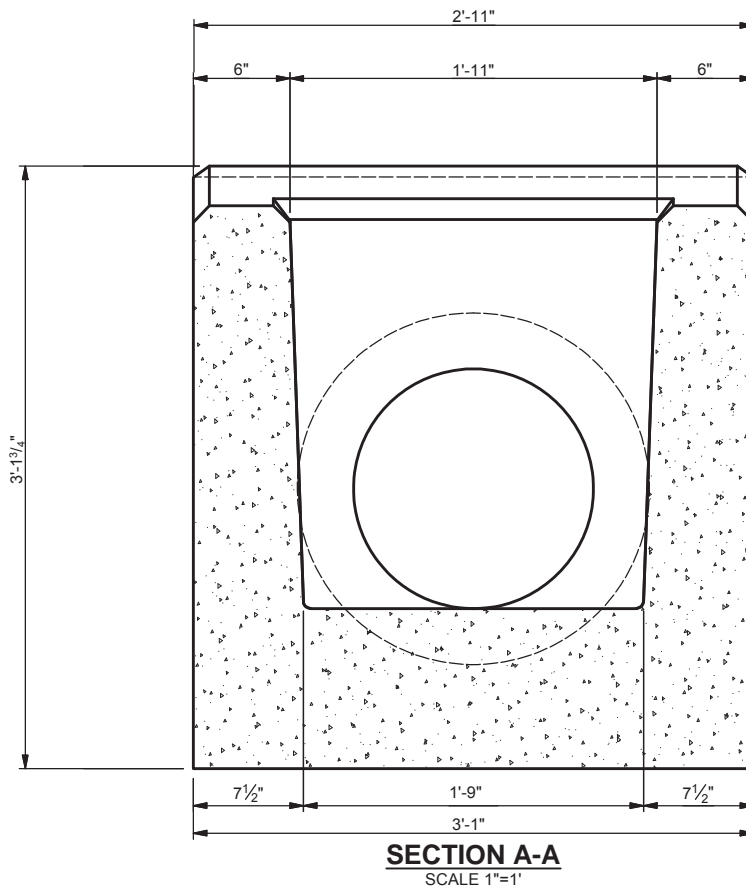
SIDE VIEW
SCALE 3/4"=1'-0"



FRONT VIEW
SCALE 3/4"=1'-0"



ISOMETRIC VIEW
SCALE 1/2"=1'-0"



SECTION A-A
SCALE 1"=1'

TO BE STENCILED:

- CUSTOMER:
- JOB:
- ID: 3B-15
- INV#:
- SO#:
- WEIGHT: 3,500 LBS
- DWG: D-PE 15A
- ITEM: 611-07.51
- TDOT
- DAN

PRODUCTION NOTES:

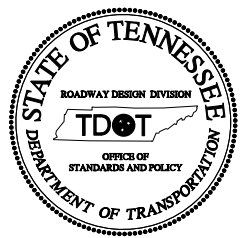
- PM:
- DUE:

STRUCTURAL NOTES:

1. CONCRETE: 28 COMPRESSIVE STRENGTH $f'_c=4500$ psi
2. REBAR: PER TDOT DRAWING # D-PE-15A
3. DESIGN: TDOT SPECIFICATION

TAPER NOTES:

- WALL WIDTH VARIES FROM 6" TO 7 1/2"
- INTERIOR CORE WIDTH VARIES FROM 1'11" TO 1'9"



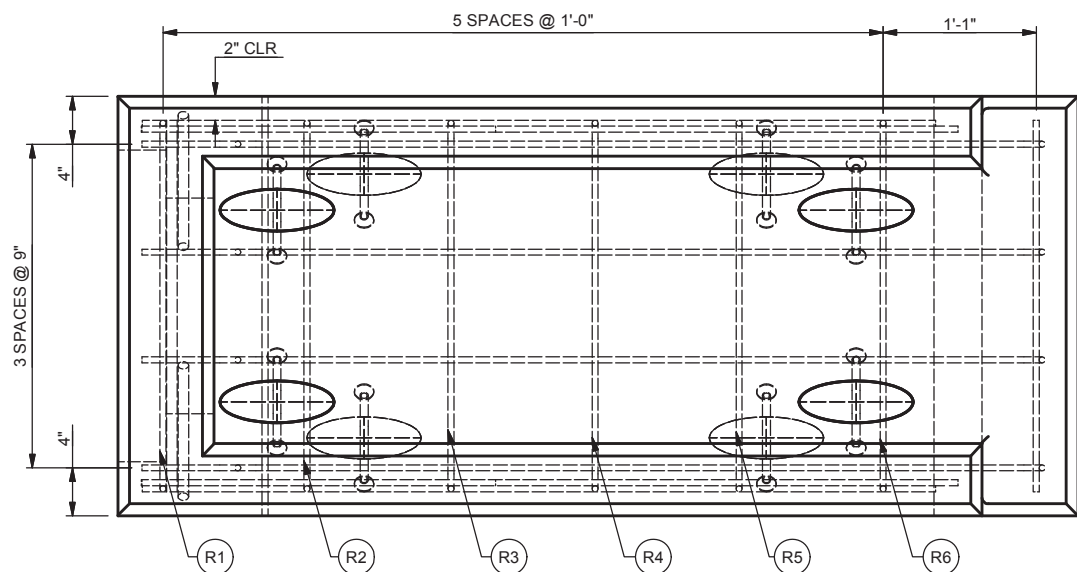
BILL OF MATERIALS			
#	QUANTITY	DESCRIPTION	ITEM #
1	8 EA	5CA14 UTILITY ANCHORS	7135006
	0.87 CYD	CONCRETE	8204010
	66.4 LBS	#4 BAR	8040400
	10.7 LBS	#7 BAR	8040700



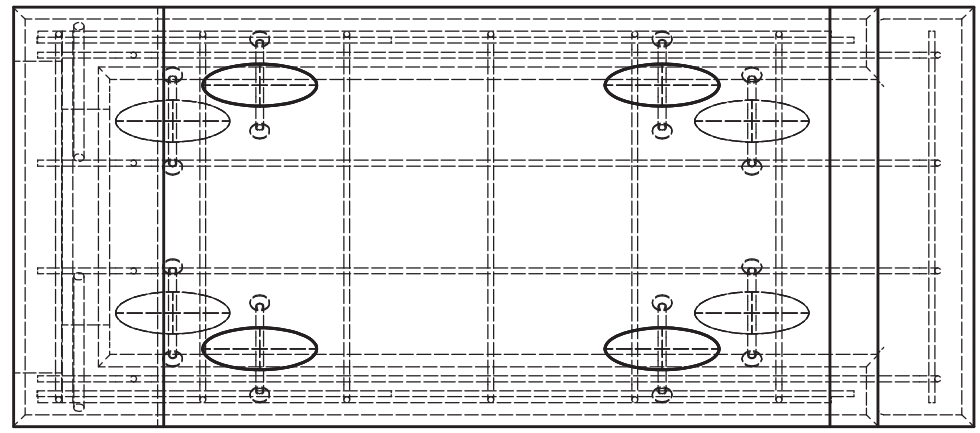
THIS DOCUMENT IS THE PROPERTY OF OLDCASTLE PRECAST, INC. IT IS CONFIDENTIAL, SUBMITTED FOR REFERENCE PURPOSES ONLY, AND SHALL NOT BE USED IN ANY WAY INJURIOUS TO THE INTERESTS OF, OR WITHOUT THE WRITTEN PERMISSION OF OLDCASTLE PRECAST, INC. COPYRIGHT ©2013 OLDCASTLE PRECAST, INC. ALL RIGHTS RESERVED.

3:1 D-PE-15A			
TDOT TENNESSEE			
CUSTOMER STOCK			
DATE	SALES	DRAWN CMM	ENGINEER TDOT
DRAWING NUMBER 3B-15 PRODUCTION DRAWING.idw		REVISION	SHEET
		DATE	1 OF 1

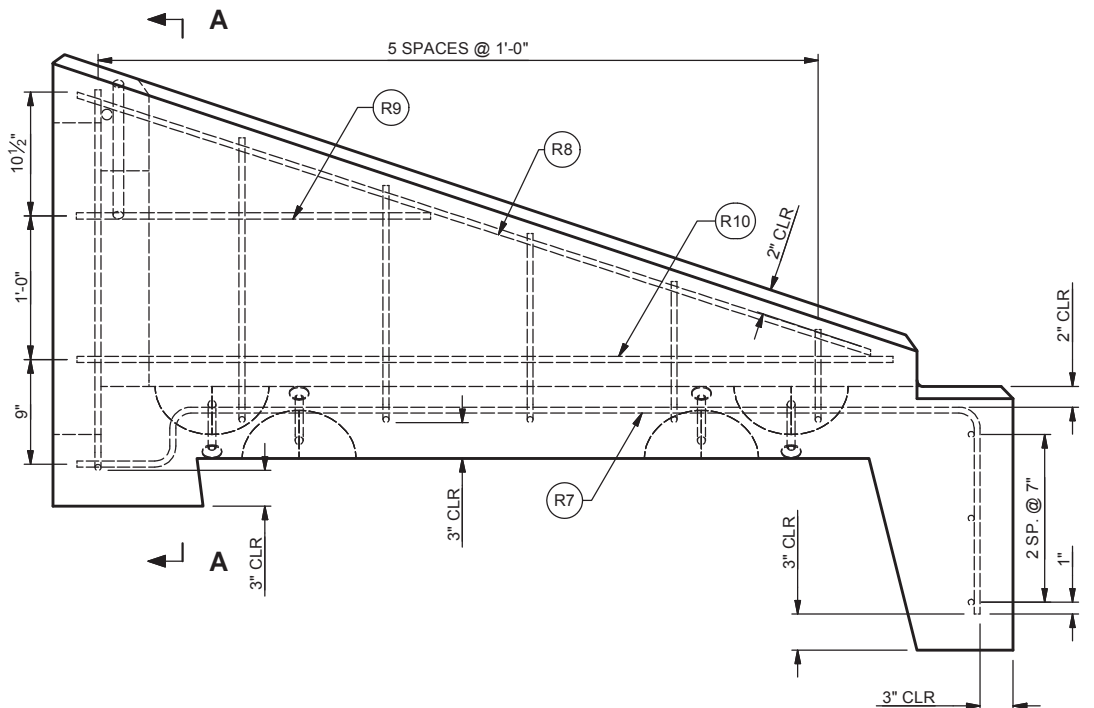
F:\engineering\NCS-07-15-09\Standard Product\TDOT\State Endwalls\TDOT ENDWALLS (INVENTOR DRAWINGS)\3B-15 (TDOT)\3B-15 STEEL DRAWING.idw



PLAN VIEW
SCALE 3/4"=1'-0"



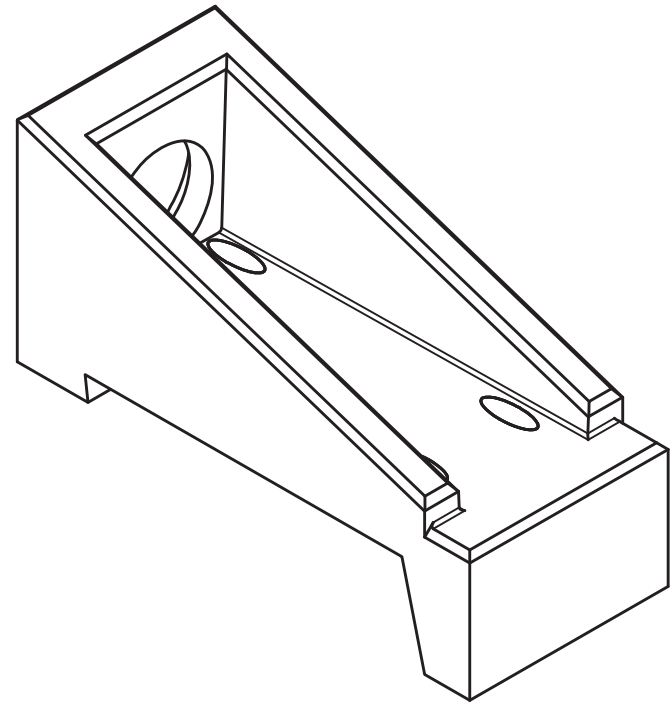
BOTTOM VIEW
SCALE 3/4"=1'-0"



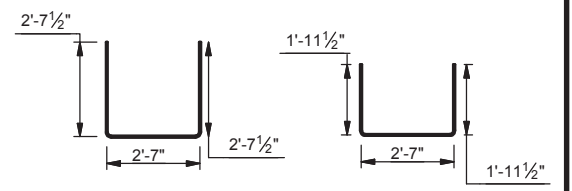
SIDE VIEW
SCALE 3/4"=1'-0"



*REBAR BENDS HAVE BEEN ACCOUNTED FOR**

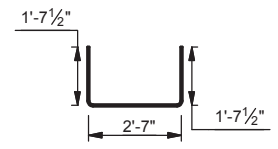


ISOMETRIC VIEW
SCALE 1/2"=1'-0"

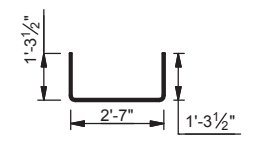


R1
SCALE 3/16"=1'-0"

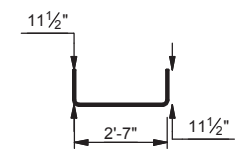
R2
SCALE 3/16"=1'-0"



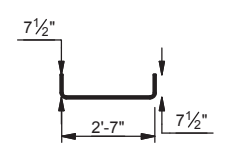
R3
SCALE 3/16"=1'-0"



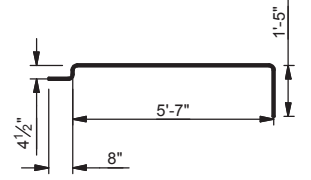
R4
SCALE 3/16"=1'-0"



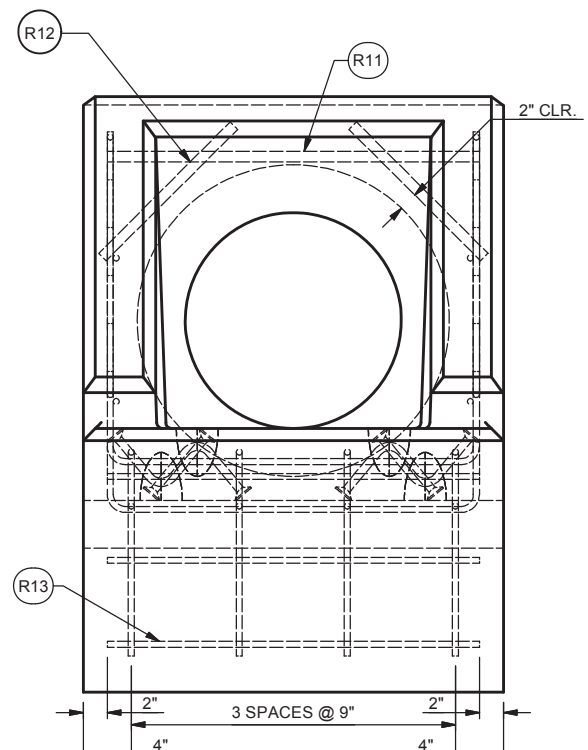
R5
SCALE 3/16"=1'-0"



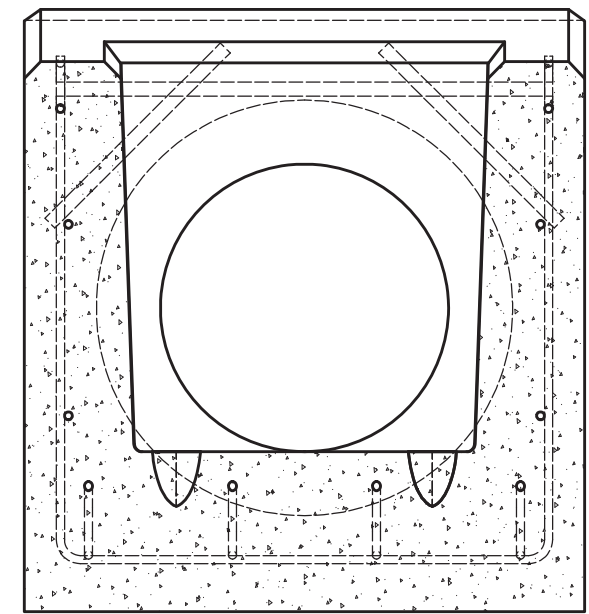
R6
SCALE 3/16"=1'-0"



R7
SCALE 3/16"=1'-0"



FRONT VIEW
SCALE 3/4"=1'-0"



SECTION A-A
SCALE 1"=1'

REINFORCEMENT CUT LIST				
#	QTY	MATERIAL	LENGTH	SHAPE
R1	1	#4 BAR	7'-8 1/2"	U BAR
R2	1	#4 BAR	6'-4 1/2"	U BAR
R3	1	#4 BAR	5'-8 1/2"	U BAR
R4	1	#4 BAR	5'-0 1/2"	U BAR
R5	1	#4 BAR	4'-4 1/2"	U BAR
R6	1	#4 BAR	3'-8 1/2"	U BAR
R7	4	#4 BAR	7'-8 3/4"	BENT
R8	2	#4 BAR	5'-9 1/2"	STR
R9	2	#4 BAR	2'-7"	STR
R10	2	#4 BAR	5'-6"	STR
R11	1	#7 BAR	2'-7"	STR
R12	2	#7 BAR	1'-4"	STR
R13	3	#4 BAR	2'-7"	STR



THIS DOCUMENT IS THE PROPERTY OF OLDCASTLE PRECAST, INC. IT IS CONFIDENTIAL, SUBMITTED FOR REFERENCE PURPOSES ONLY, AND SHALL NOT BE USED IN ANY WAY INJURIOUS TO THE INTERESTS OF, OR WITHOUT THE WRITTEN PERMISSION OF OLDCASTLE PRECAST, INC. COPYRIGHT ©2013 OLDCASTLE PRECAST, INC. ALL RIGHTS RESERVED.

3:1 D-PE-15A				
TDOT TENNESSEE				
CUSTOMER STOCK				
DATE	SALES	DRAWN	ENGINEER	CHECKED
		CMM	TDOT	SALES ORDER
DRAWING NUMBER			REVISION	SHEET
3B-15 STEEL DRAWING.idw			DATE	1 OF 1