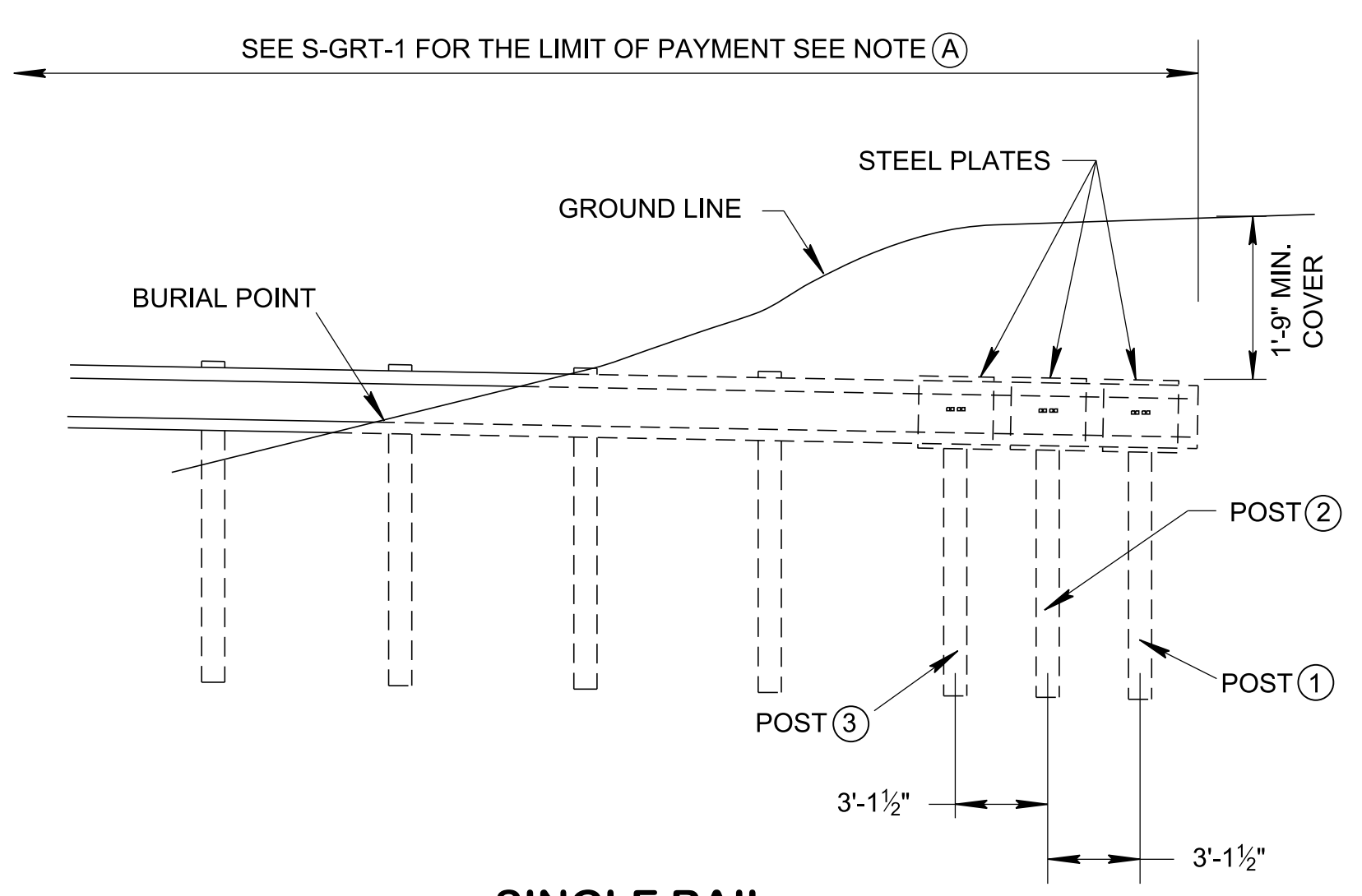
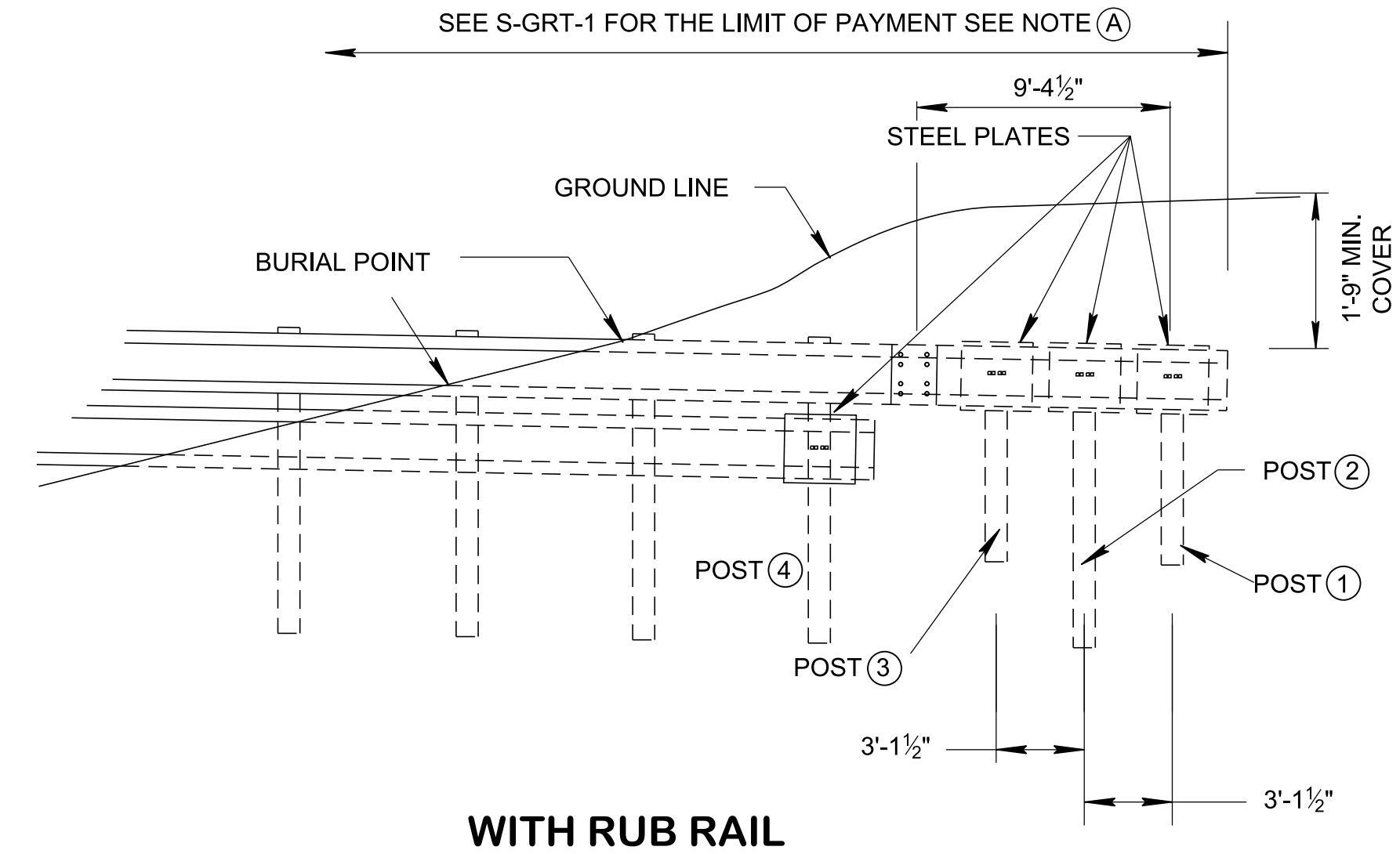


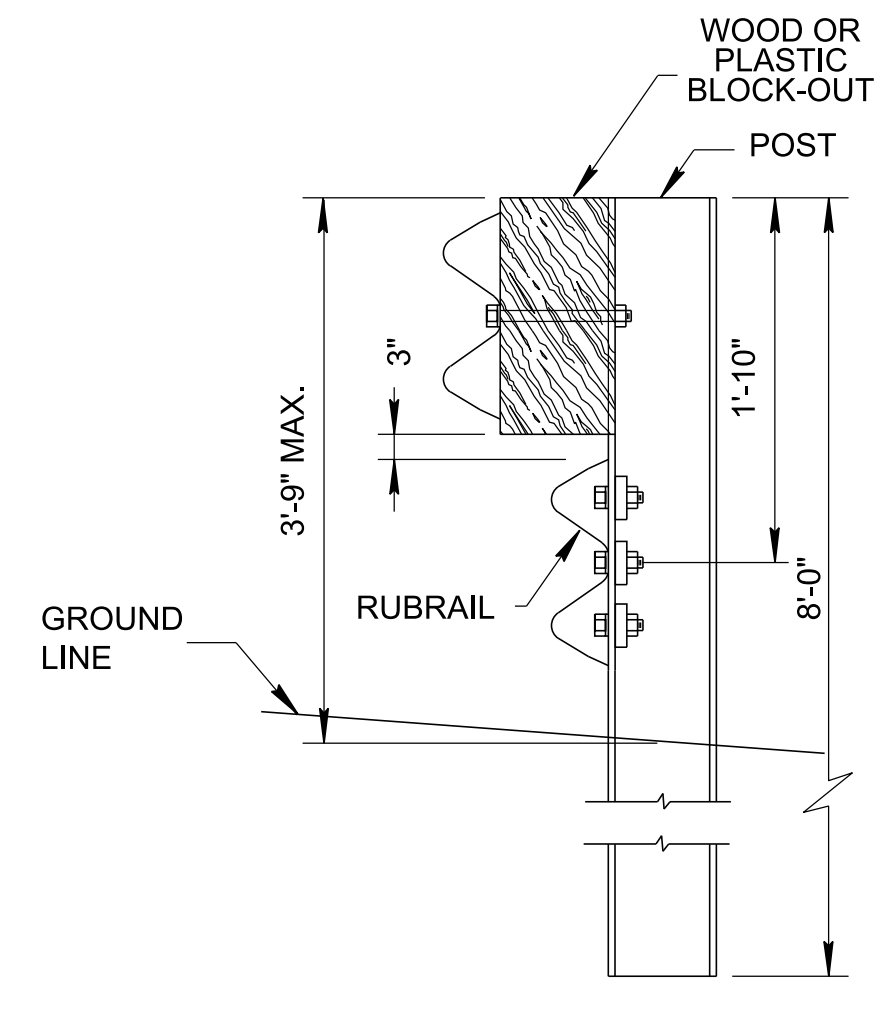
TO BE USED WITH S-GRT-1 ONLY



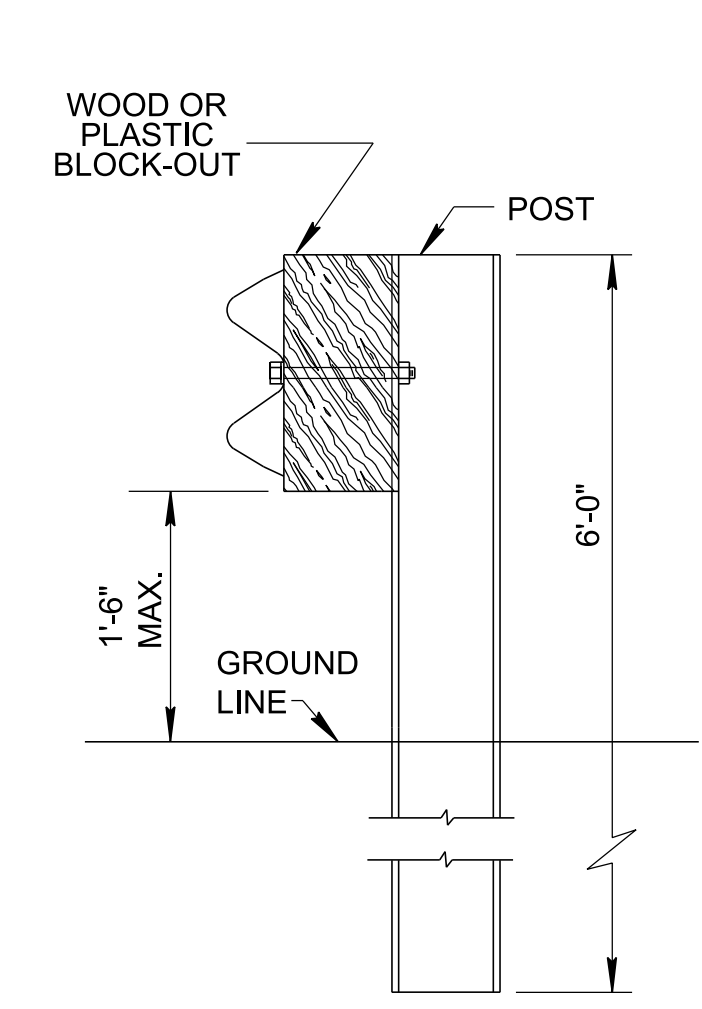
SINGLE RAIL
ELEVATION VIEW



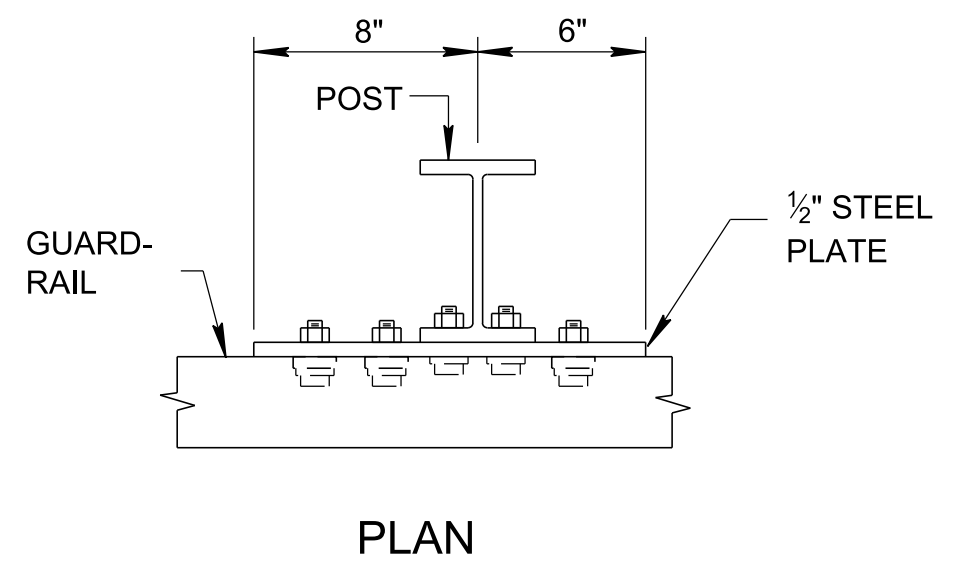
WITH RUB RAIL
ELEVATION VIEW



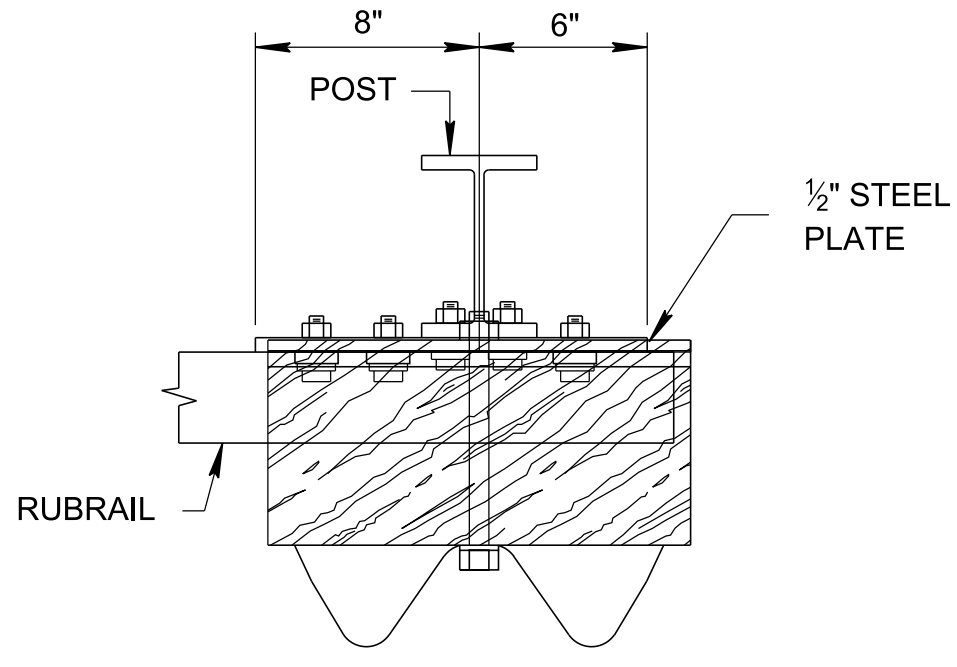
TYPICAL ELEVATION WITH RUBRAIL



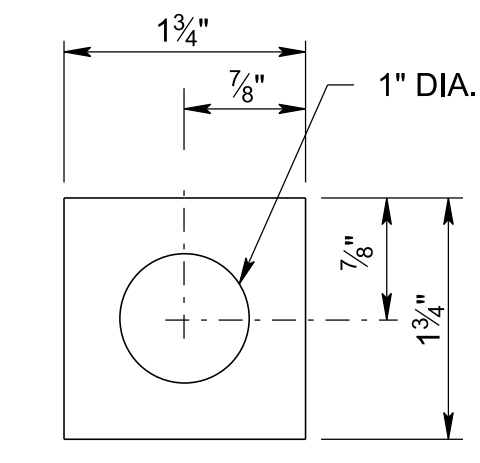
TYPICAL ELEVATION WITH SINGLE RAIL



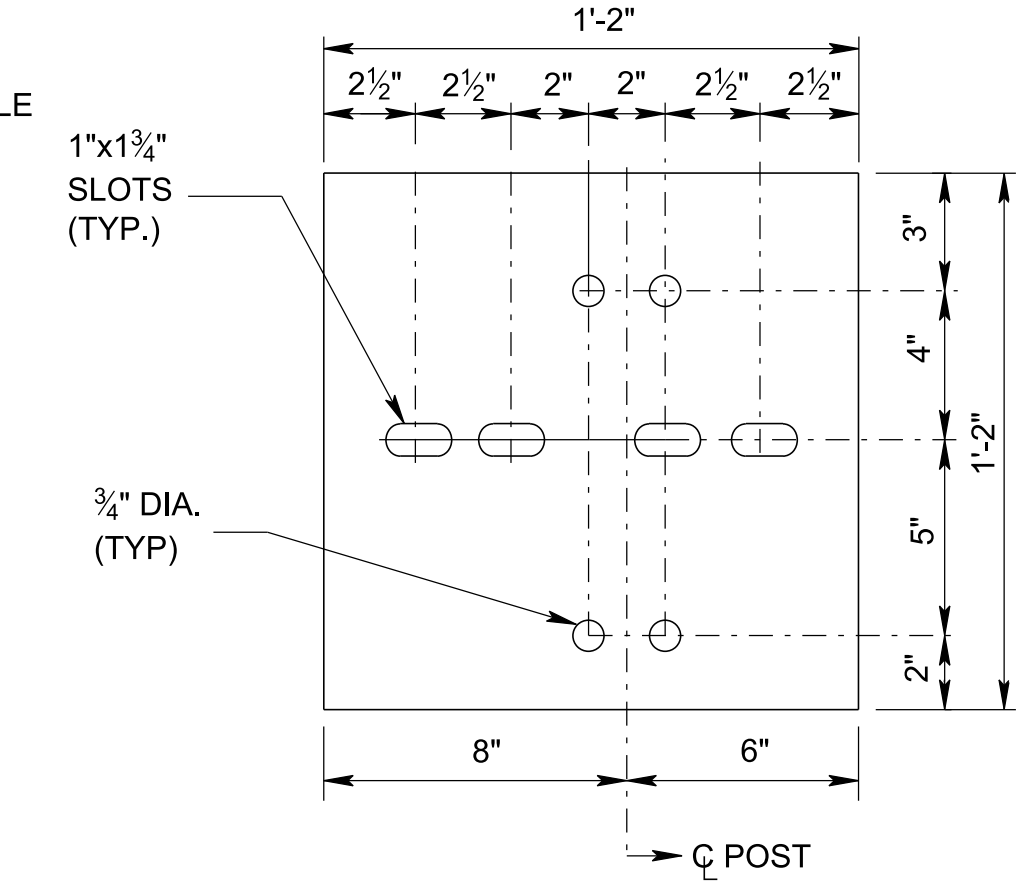
PLAN



PARTIAL PLAN



SQUARE WASHER
NOTE: 1/4" THICK GALVANIZED STEEL



STEEL PLATE

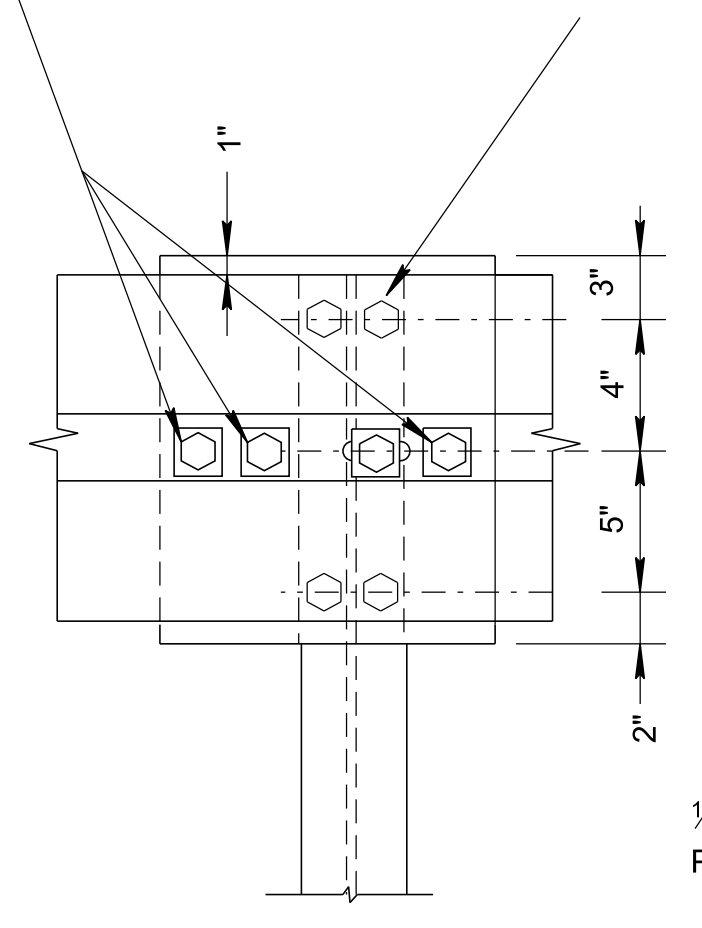
NOTE: 1/2" THICK GALVANIZED STEEL ALL HOLES TO BE DRILLED PRIOR TO GALVANIZING.

1" DIA. HOLES IN RAIL AND THROUGH POST FLANGE FOR 3RD BOLT; ATTACHED TO STEEL PLATE WITH 5/8" DIA. HEX BOLTS, 2" LONG WITH SQUARE WASHER

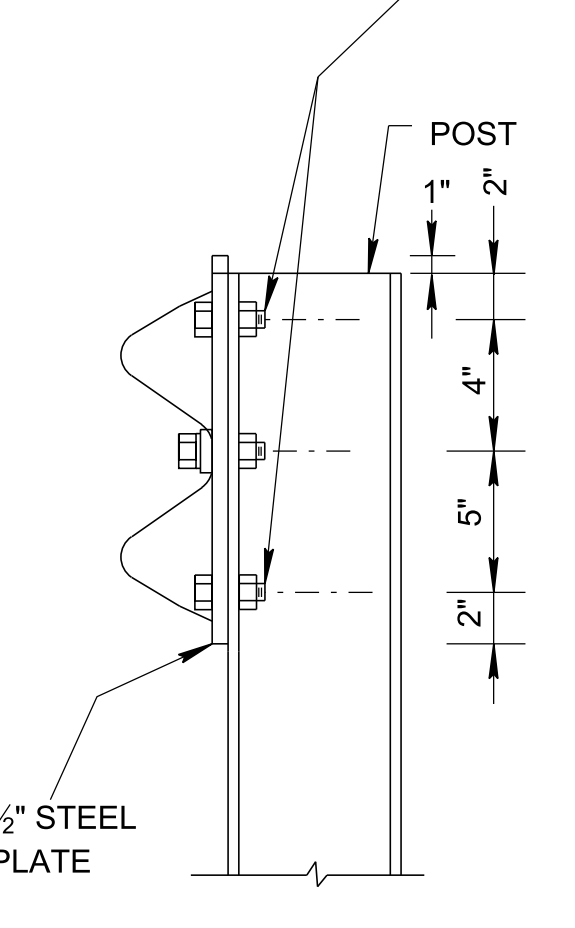
BOLT PLATE TO POST WITH 5/8" DIA. HEX BOLTS 2" LONG WITH HEX NUTS

3/4" DIA. HOLE IN POST FLANGE EACH SIDE

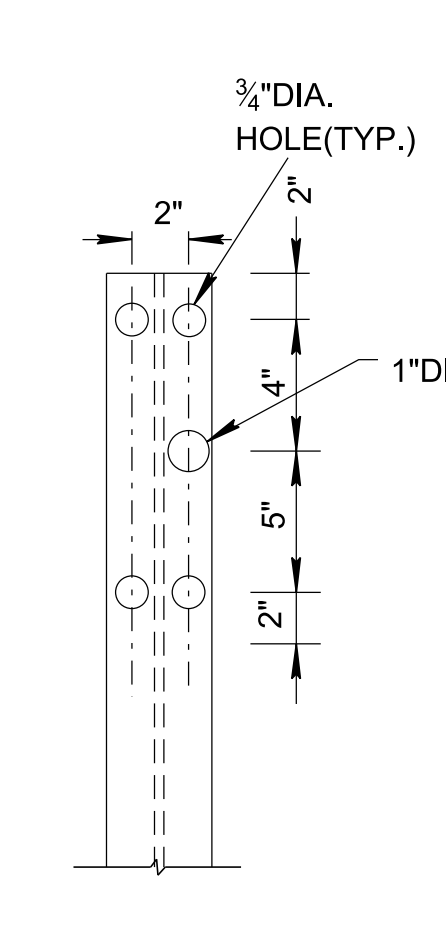
1" DIA. HOLES IN RAIL AND THROUGH POST FLANGE; ATTACHED TO STEEL PLATE WITH 5/8" DIA. HEX BOLTS, 2" LONG WITH SQUARE WASHER



FRONT VIEW

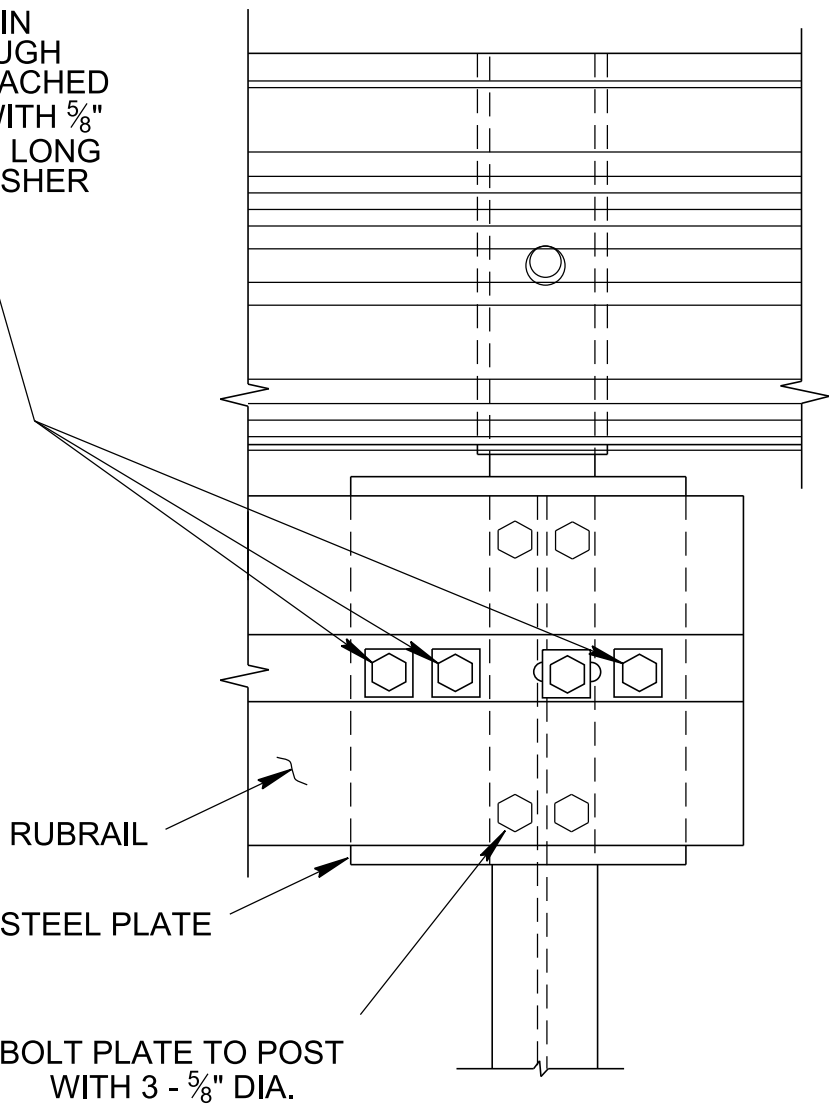


ELEVATION

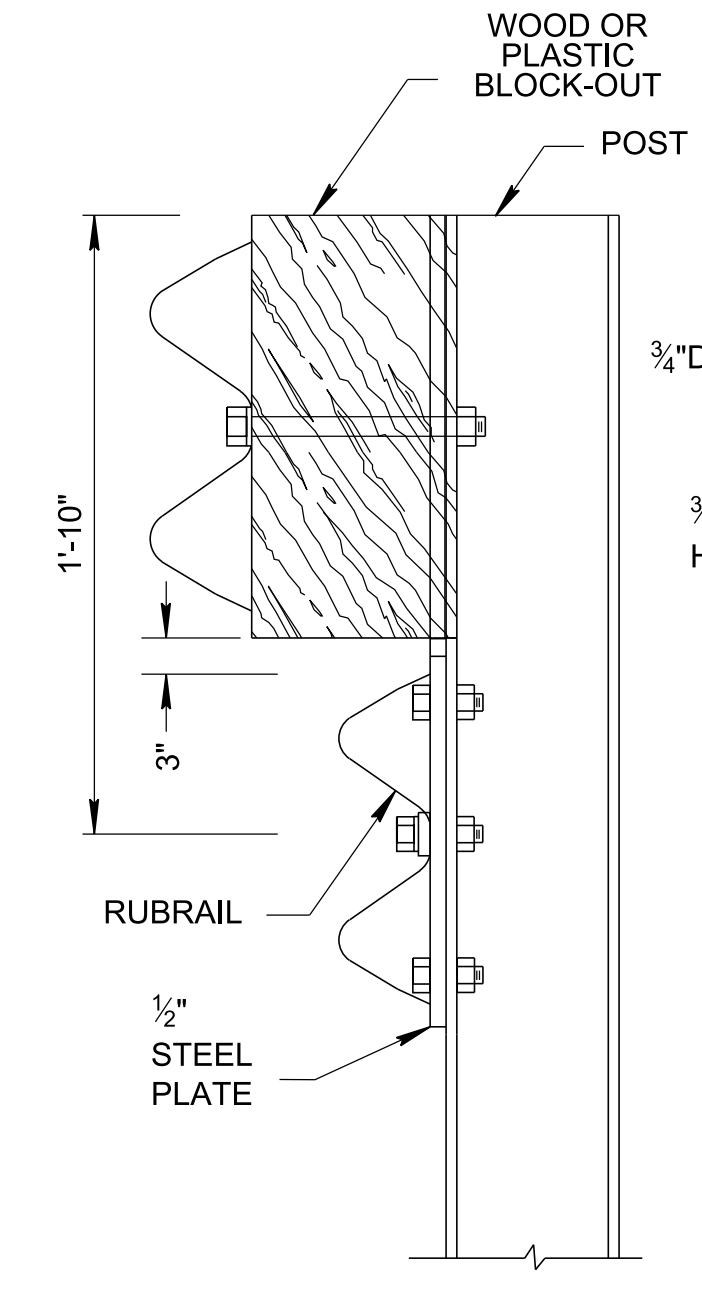


POST HOLE PATTERN

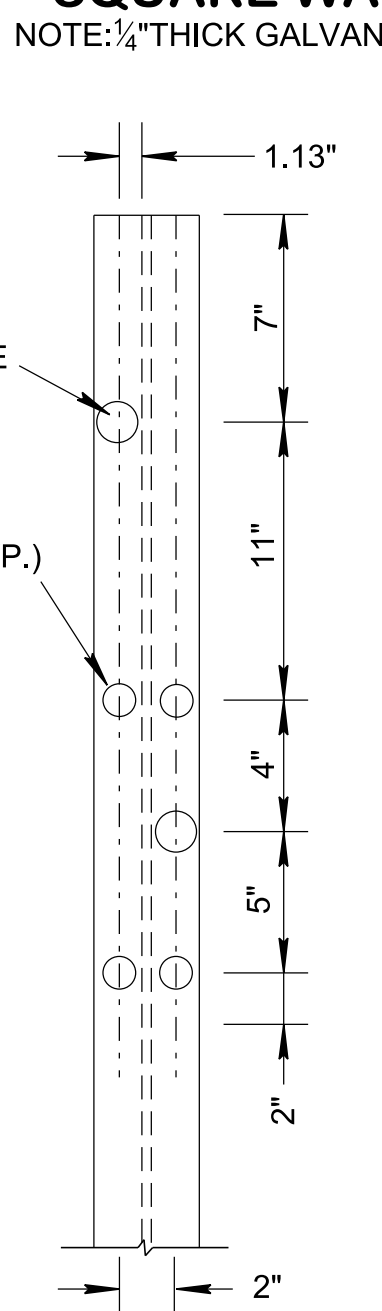
POST ① ② & ③ ANCHOR DETAIL



FRONT VIEW



ELEVATION



POST HOLE PATTERN

POST ④ ANCHOR DETAIL

- GENERAL NOTES**
- (A) GUARDRAIL END TERMINAL SHALL BE CONSTRUCTED PER S-GRT-1.
 - (B) COST OF ANCHOR TO BE INCLUDED IN THE COST OF ITEM NO. 705-04.02.
 - (C) ALL POSTS SHALL BE 6 FT. FOR SINGLE RAIL INSTALLATION AND 8' FOR WITH RUB RAIL

MINOR REVISION -- FHWA APPROVAL NOT REQUIRED

STATE OF TENNESSEE
STANDARD DRAWING
DEPARTMENT OF TRANSPORTATION

GUARDRAIL ANCHOR FOR TYPE 12 TERMINAL (ALTERNATIVE)

8/27/2019 9:51:55 AM \\AG03DCWF00010.net.ads.state.in.us\Projects\Standard Drawings Folder\Working Folder for Eugene\Draft\150 SAFETY DESIGN AND FENCES\SGRA1A-20190628.DGN

NOT TO SCALE