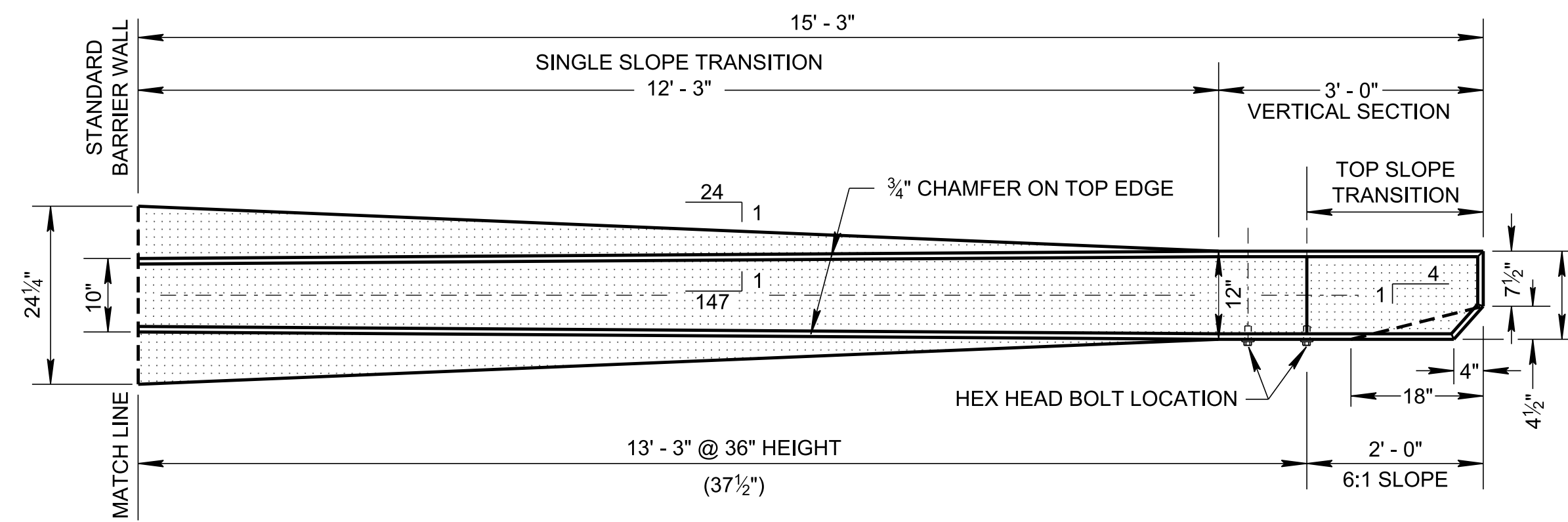
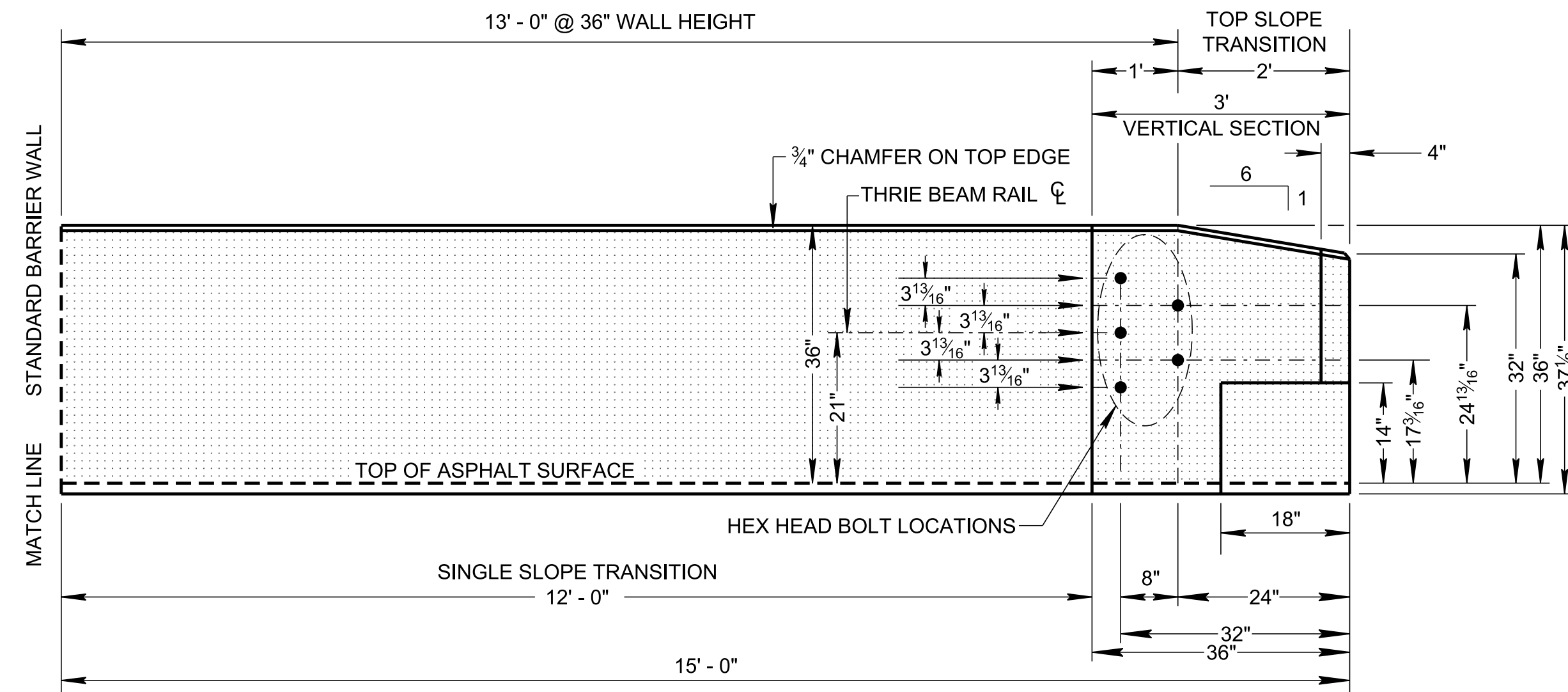


PLAN VIEW



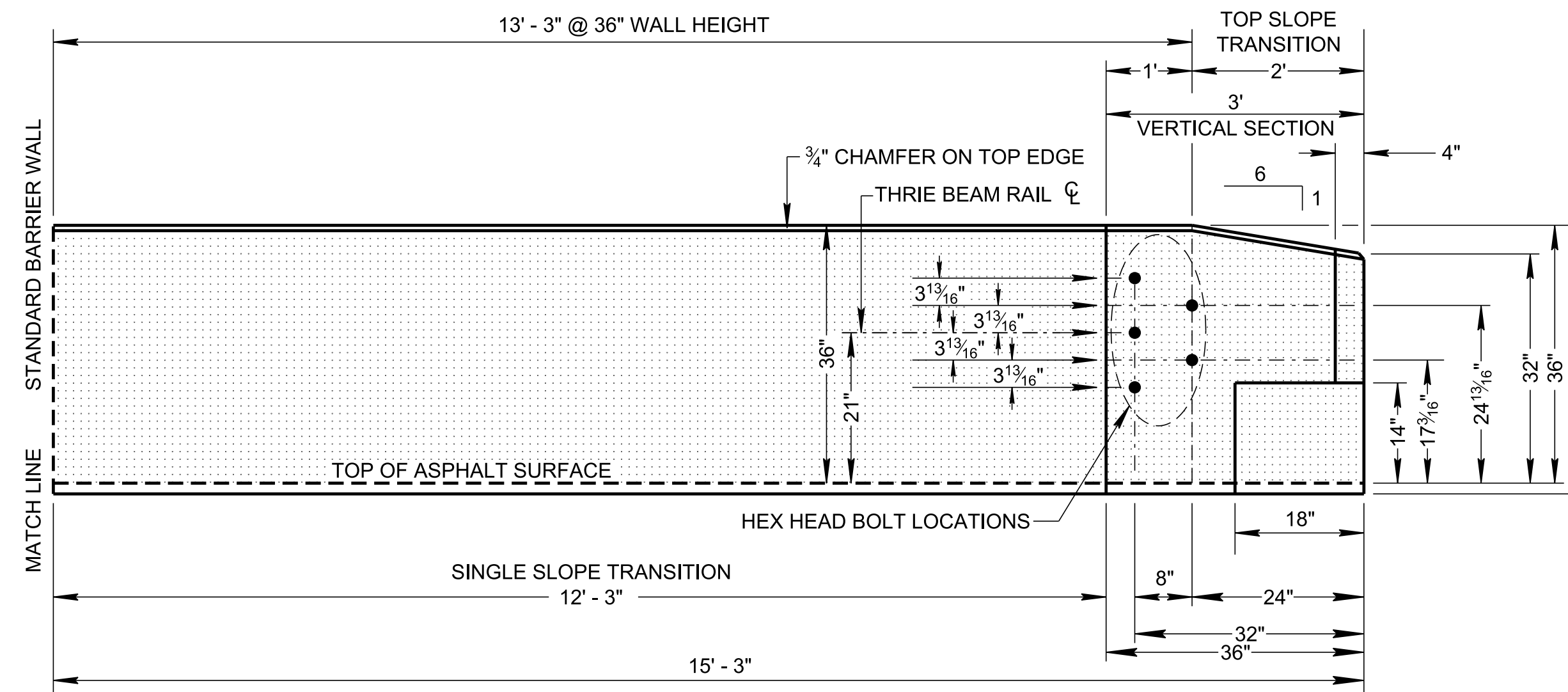
PLAN VIEW



ELEVATION VIEW

**CONCRETE MEDIAN BARRIER  
(FOR DUAL THRIE-BEAM GUARDRAIL CONNECTION)**

FOR GUARDRAIL CONNECTION SEE STD. DWG. S-SSMB-6B



ELEVATION VIEW

**CONCRETE BARRIER WALL  
(FOR SINGLE THRIE-BEAM GUARDRAIL CONNECTION)**

FOR GUARDRAIL CONNECTION SEE STD. DWG. S-SSMB-6C

**GENERAL NOTES**

- (A) THIS DRAWING SHOWS THE TRANSITION SECTIONS FOR 36" CONCRETE BARRIER WALL TO BE ABLE TO ATTACH TO THRIE BEAM GUARDRAIL SECTION. THE BARRIER WILL REQUIRE STEEL BAR REINFORCING OR WELDED WIRE FABRIC AS SHOWN IN STD. DWG. NO. S-SSMB-1A. SEE STANDARD DRAWING NO. S-SSMB-6B, S-SSMB-6C AND S-GR31-1 SERIES FOR GUARDRAIL DETAILS.
- (B) SAFETY PERFORMANCE OF THIS DEVICE HAS BEEN EVALUATED PER TRB 2672(39) 41-51 DEVELOPMENT OF A STANDARDIZED BUTTRESS FOR APPROACH GUARDRAIL TRANSITIONS AND TTI REPORT 9-1002-12-3, FOR MASH TL-3.
- (C) ALL COMPONENTS AS SHOWN ON THIS DRAWING OR ANY COMPONENTS NEEDED TO INSTALL THIS GUARDRAIL SHALL BE INCLUDED UNDER PAY ITEM 705-06.25, THRIE BEAM BRIDGE TRANSITION MASH TL3, PER EACH.
- (D) BUTTON HEAD "POST" BOLTS (ASTM A307) SHALL BE OF SUFFICIENT LENGTH TO EXTEND THROUGH THE FULL THICKNESS OF THE NUT (ASTM A563) AND WASHER AND NOT MORE THAN 1" BEYOND IT. THE BUTTON HEAD "SPLICE" BOLTS (ASTM 307), 5/8" DIA. X 2" (SHALL BE USED AT THRIE-BEAM RAIL SPLICES) WITH 5/8" DOUBLE RECESSED NUTS.
- (E) GALVANIZED WASHERS USED WITH THE 5/8" DIA. POST BOLTS SHALL BE TYPE A 1-3/4" O. D. WASHERS. THE (12) PLATE WASHERS (FWR03) ARE REQUIRED AT THE TERMINAL CONNECTOR SPLICE.
- (F) TO CONNECT THE THRIE BEAM GUARDRAIL AND THE TERMINAL CONNECTION TO THE CONCRETE BARRIER WALL WILL REQUIRE 5 HEX HEAD BOLTS FOR SINGLE GUARDRAIL HOOKUP AND 10 HEX HEAD BOLTS FOR DUAL GUARDRAIL HOOKUP AT 7/8" Ø X 2", WITH WASHERS AND NUTS.