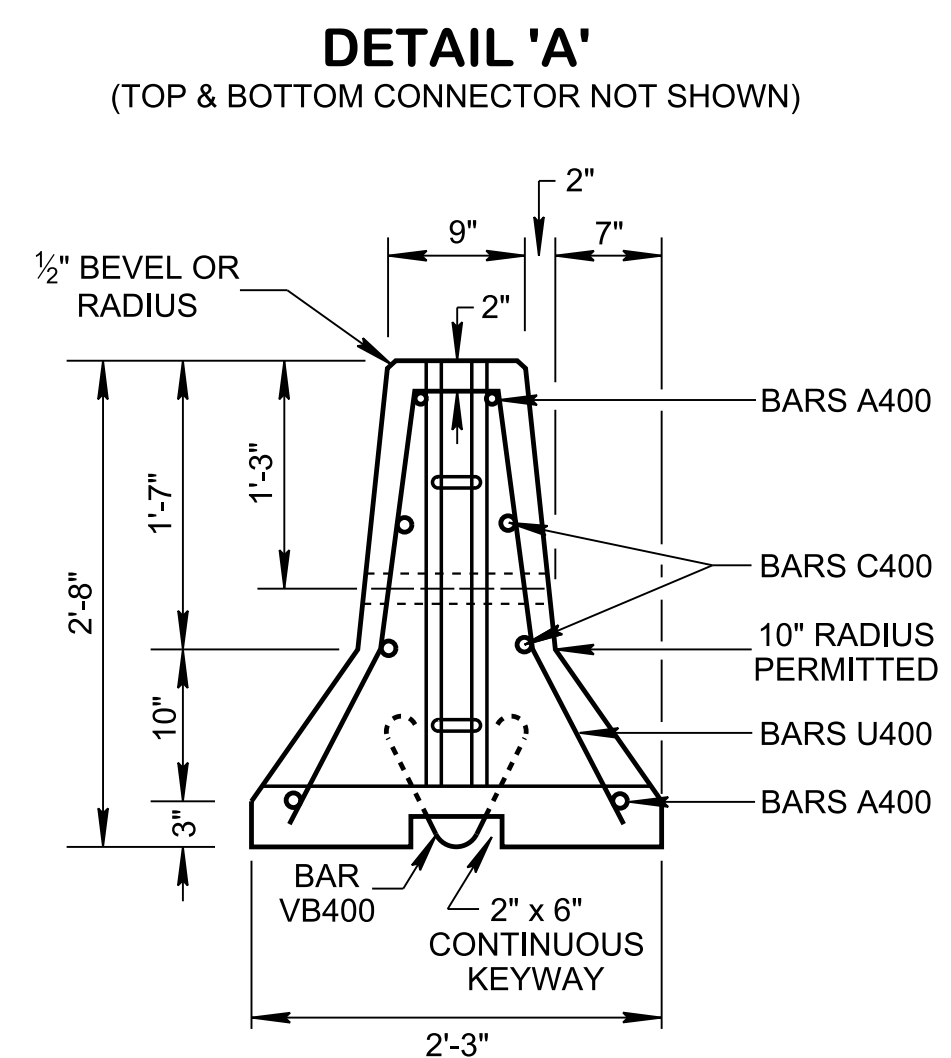
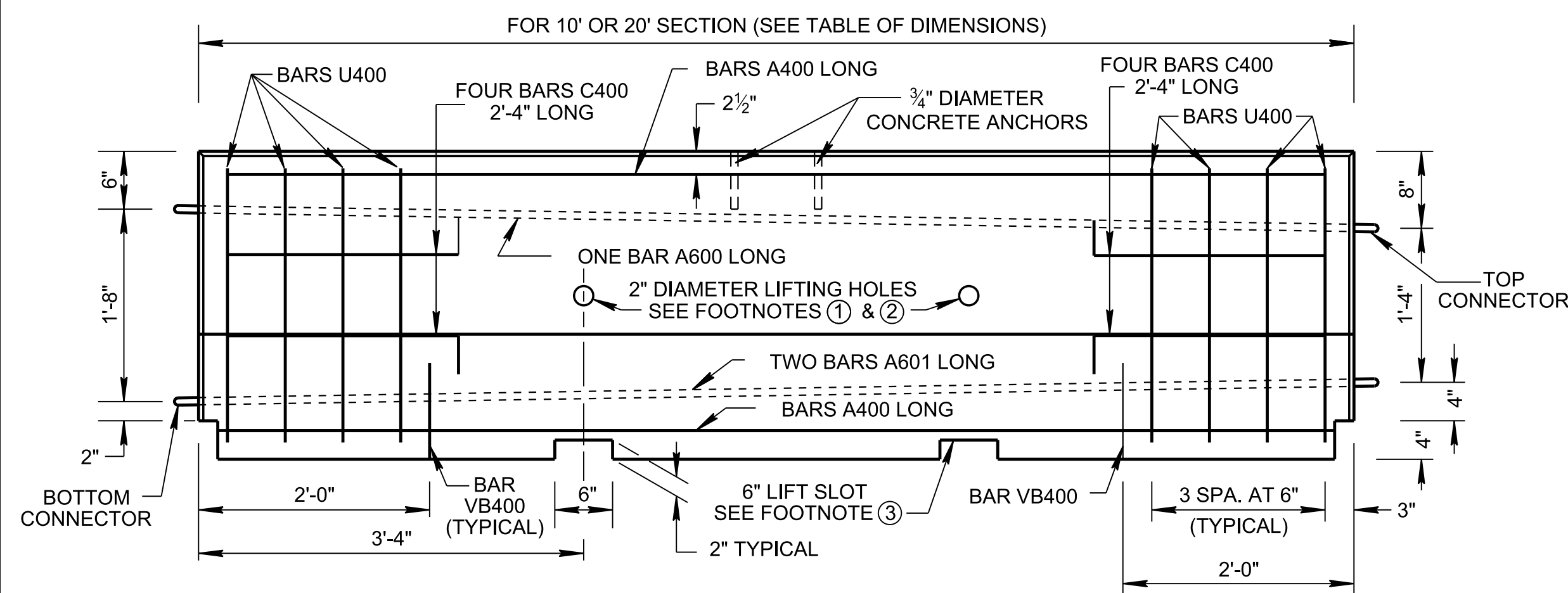


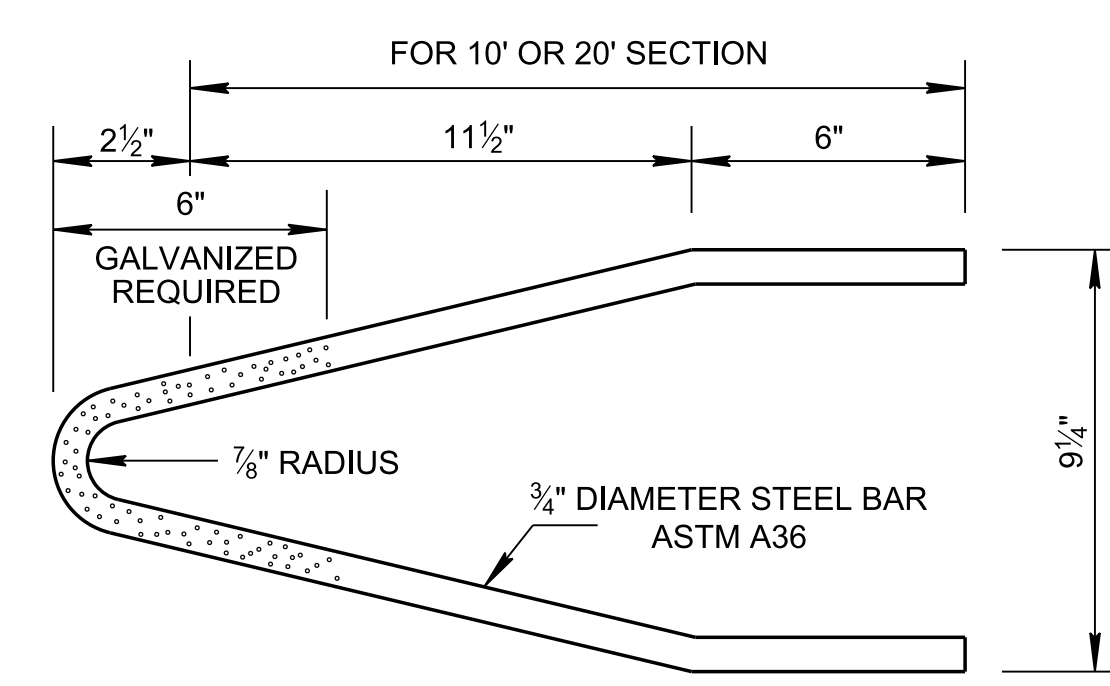
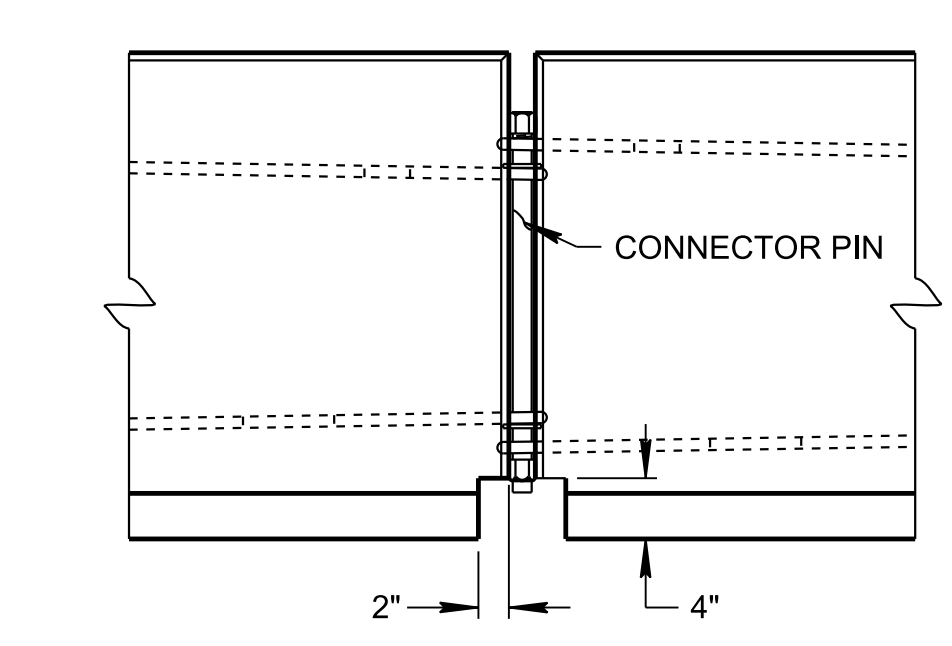
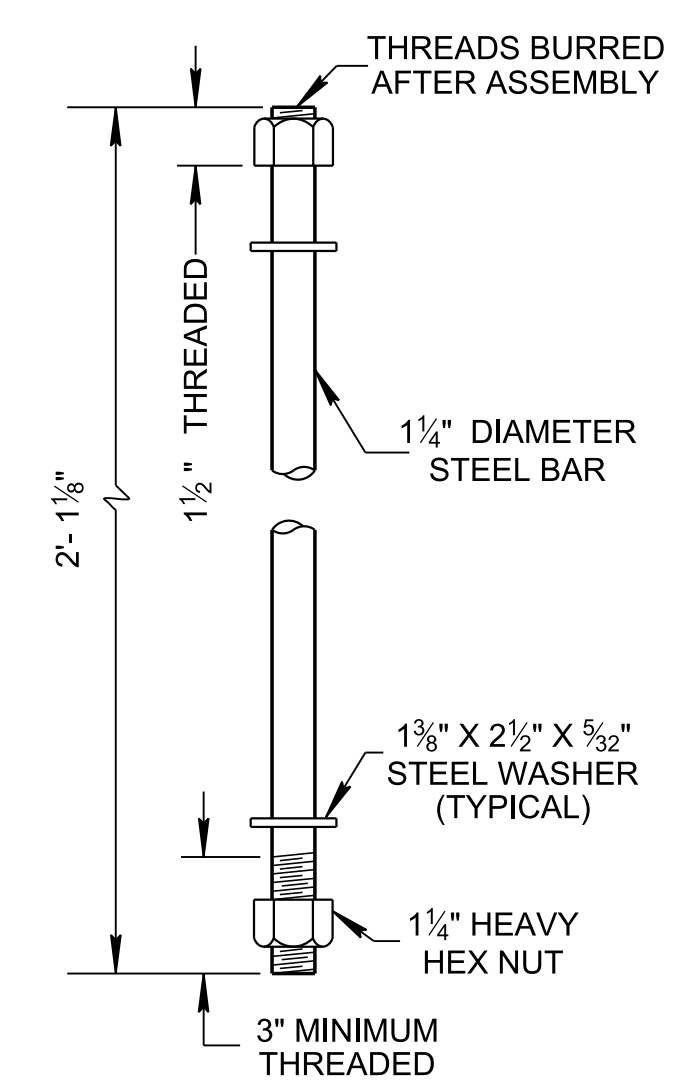
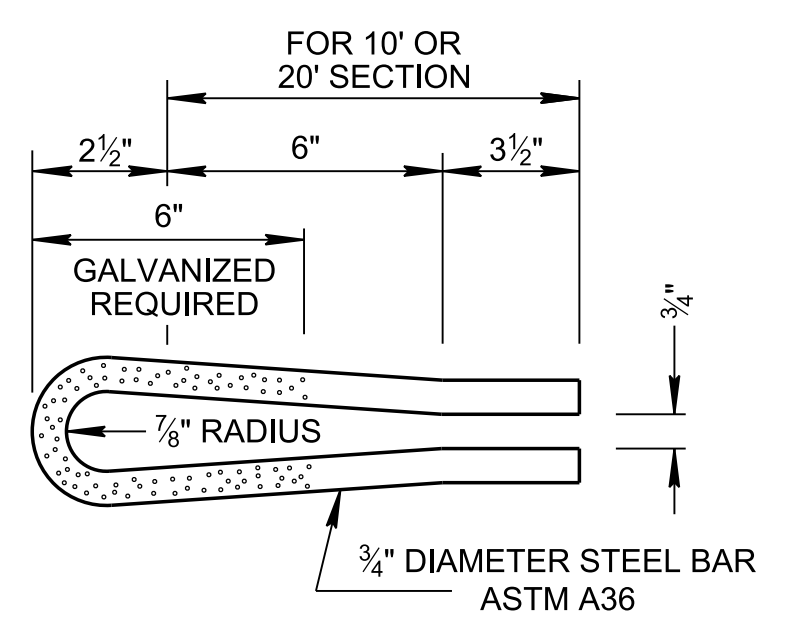
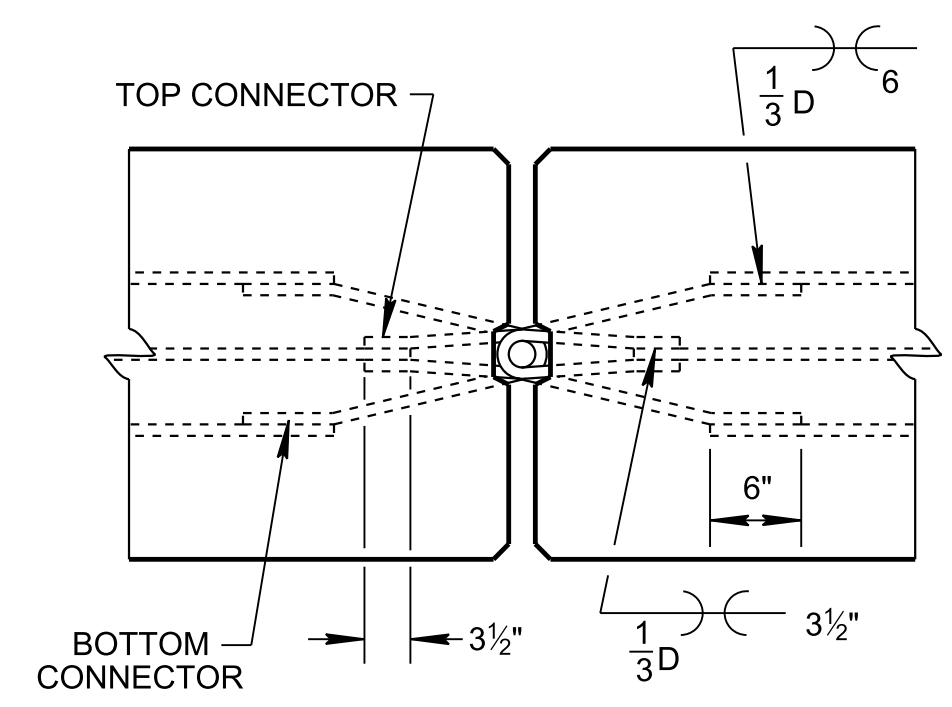
APPROXIMATE WEIGHT AND QUANTITIES			
SECTION LENGTH (FT.)	WEIGHT (LB.)	REINFORCING STEEL (LB.)	CONCRETE (C. Y.)
10	4,860	108	1.2
20	9,720	180	2.4

BILL OF STEEL				
BAR	SIZE	NUMBER REQUIRED	LENGTH	
			10'	20'
A400	4	4	9'-6"	19'-6"
A600	6	1	9'-0"	19'-0"
A601	6	2	8'-1"	18'-1"
C400	4	8	2'-8"	2'-8"
U400	4	8	5'-6"	5'-6"
VB400	4	2	2'-1"	2'-1"



**GENERAL NOTES**

- (A) PRECAST CONCRETE BARRIER SHALL BE CONSTRUCTED WITH CLASS 'A' CONCRETE MANUFACTURED IN ACCORDANCE WITH SECTION 604 OF THE STANDARD SPECIFICATIONS.
- (B) REINFORCING STEEL: TO BE ASTM A615.
- (C) THE CONNECTOR PIN, 1 1/4" X 25 1/8" THREADED ROD OR 1 1/4" X 25 1/8" BOLT SHALL HAVE A MINIMUM OF 50,000 POUNDS TENSILE STRENGTH. THE HEAVY HEX NUTS AND THE TWO HEAVY FLAT WASHERS SHALL MEET ASTM A-325. THE CONNECTOR PIN, TOP CONNECTOR, BOTTOM CONNECTOR, NUTS AND WASHERS SHALL BE GALVANIZED IN ACCORDANCE WITH AASHTO M-111.
- (D) PLACE ALL STEEL REINFORCEMENT 2" MINIMUM FROM OUTSIDE FACE OF WALL, EXCEPT AS OTHERWISE SHOWN.
- (E) ANY PORTABLE BARRIER RAIL DAMAGED AFTER IMPACT SHALL BE REMOVED FROM THE CONSTRUCTION SITE AND REPLACED.
- (F) WHEN INTERCONNECTED PORTABLE BARRIER RAIL IS CONSTRUCTED IN THE UPRIGHT POSITION AS SHOWN ON THIS DRAWING THE VB400 BAR WILL BECOME OPTIONAL AND MAYBE OMITTED FROM THE INSTALLATION.
- (G) THIS PRODUCT HAS BEEN EVALUATED UNDER NCHRP REPORT 350 TEST LEVEL 3. ALTERNATIVE PRODUCTS LISTED ON TDOT'S QPL 34 MAY BE USED. WORK ZONE ACTIVITIES MAY BE KEPT OUTSIDE A MINIMUM 5' ZONE BEHIND THE PORTABLE BARRIER RAIL.
- (H) THE CONTRACTORS, IF THEY WISH TO USE AN ALTERNATE, SHOULD CONSULT THE TDOT APPROVED QUALIFIED PRODUCT LISTS FOR ALTERNATES TO THE INTERCONNECTED PORTABLE BARRIER RAIL SHOWN ON THIS STANDARD DRAWING. THE DIVISION OF MATERIALS AND TESTS SHOULD BE CONTACTED FOR THIS LIST.
- (I) DIFFERENT SECTION LENGTHS AND DIFFERENT APPROVED CONNECTIONS CAN BE USED ON A SPECIFIC PROJECT (REFER TO GENERAL NOTES H AND I ABOVE), ONLY ONE SECTION LENGTH AND CONNECTION TYPE SHALL BE USED IN A SINGLE RUN OF INTERCONNECTED PORTABLE BARRIER RAIL.
- (J) A 3" x 4" DELINEATOR SHALL BE INSTALLED ON EACH BARRIER WALL. SEE STANDARD DRAWING T-WZ-PBR2.
- (K) WHEN A 2' OFFSET BETWEEN THE TRAVELED WAY AND BARRIER IS NOT FEASIBLE, MOUNT A DELINEATOR AS SHOWN ON T-WZ-PBR2 AT EVERY 50'.
- (L) INTERCONNECTED PORTABLE BARRIER RAIL TO BE PAID FOR UNDER ITEM NUMBER: 712-02.02, INTERCONNECTED PORTABLE BARRIER RAIL, PER L.F.



**LIFTING HOLE AND SLOT FOOTNOTES**

- (1) 2" DIAMETER LIFTING HOLE - 2 REQUIRED FOR EACH SECTION TO BE PLACED 3'-4" FROM EITHER END OF THE BARRIER WALL. ADDITIONAL HOLES MAY BE ADDED TO 20 FOOT SECTION LENGTHS, PLACEMENT OF ADDITIONAL HOLES TO BE AT THE DISCRETION OF THE FABRICATOR. FORMED WITH 2" PVC PIPE OR EQUAL.
- (2) LIFTING BARS SHALL BE REQUIRED TO PREVENT SPALLING OF CONCRETE AROUND HOLES.
- (3) 6" LIFT SLOTS PROVIDES DRAINAGE FOR PAVEMENT DO NOT BLOCK THE OPENINGS.

2/2/2023 4:02:06 PM P:\StandDraw\DESIGN STANDARDS\Standards Drawings\Standard Roadway Drawings - CURRENT\In Progress\10-107.00 Design - Traffic Control IP\170.02 Work Zones IP\T-WZ-PBR1-20221209.dgn