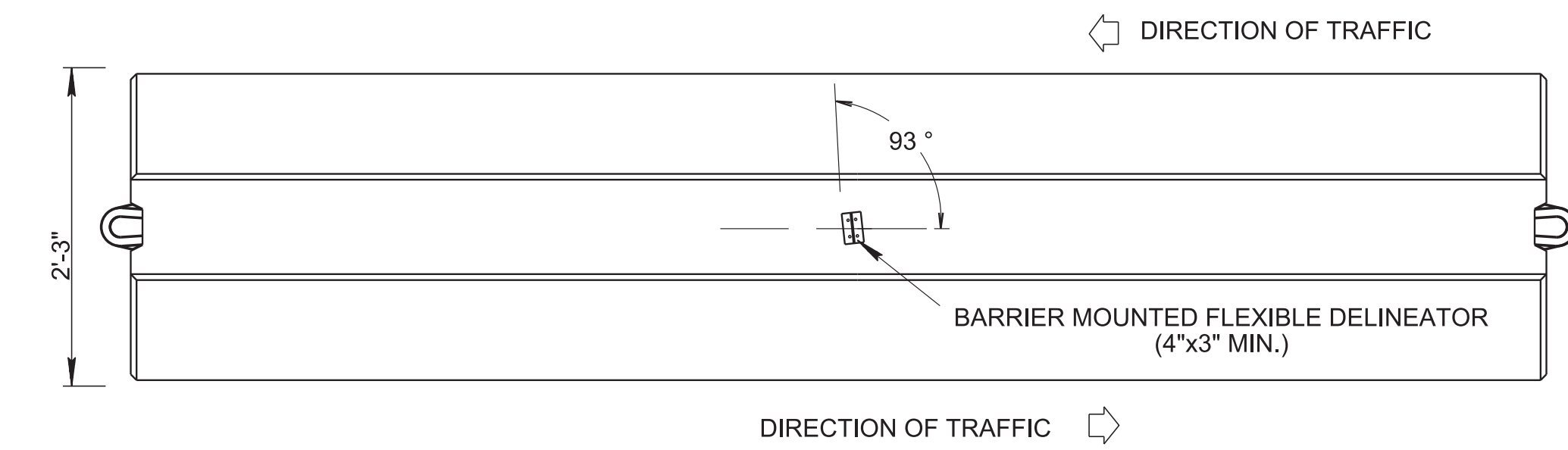
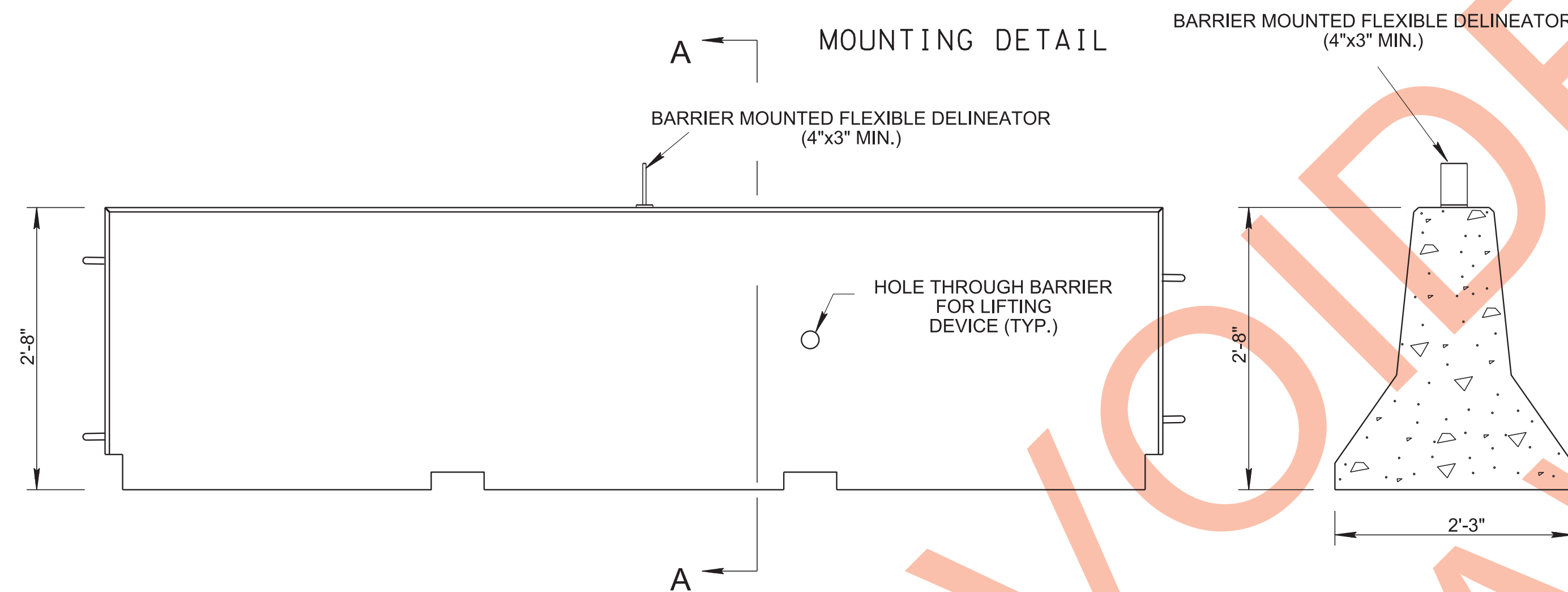


**DELINEATOR MOUNTED ON INTERCONNECTED TEMPORARY PORTABLE CONCRETE BARRIER RAIL**

(SEE S-PBR-1 FOR DETAILS REGRADING INTERCONNECTED PORTABLE BARRIER RAIL)

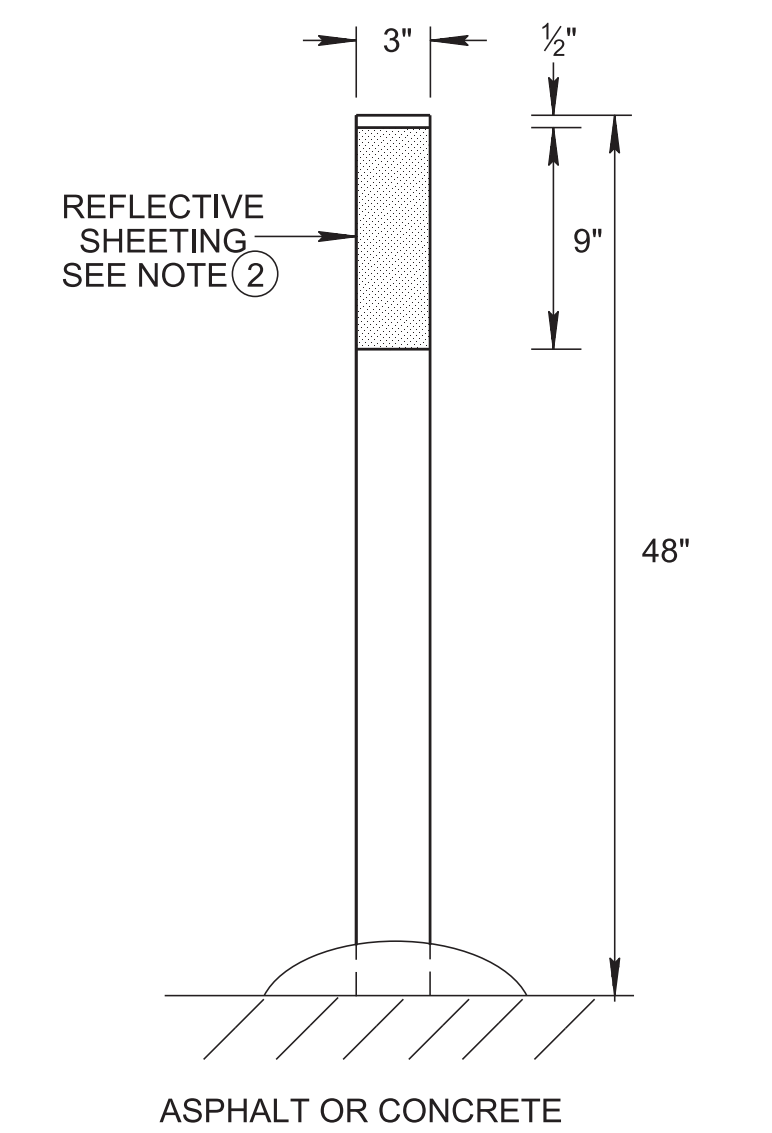
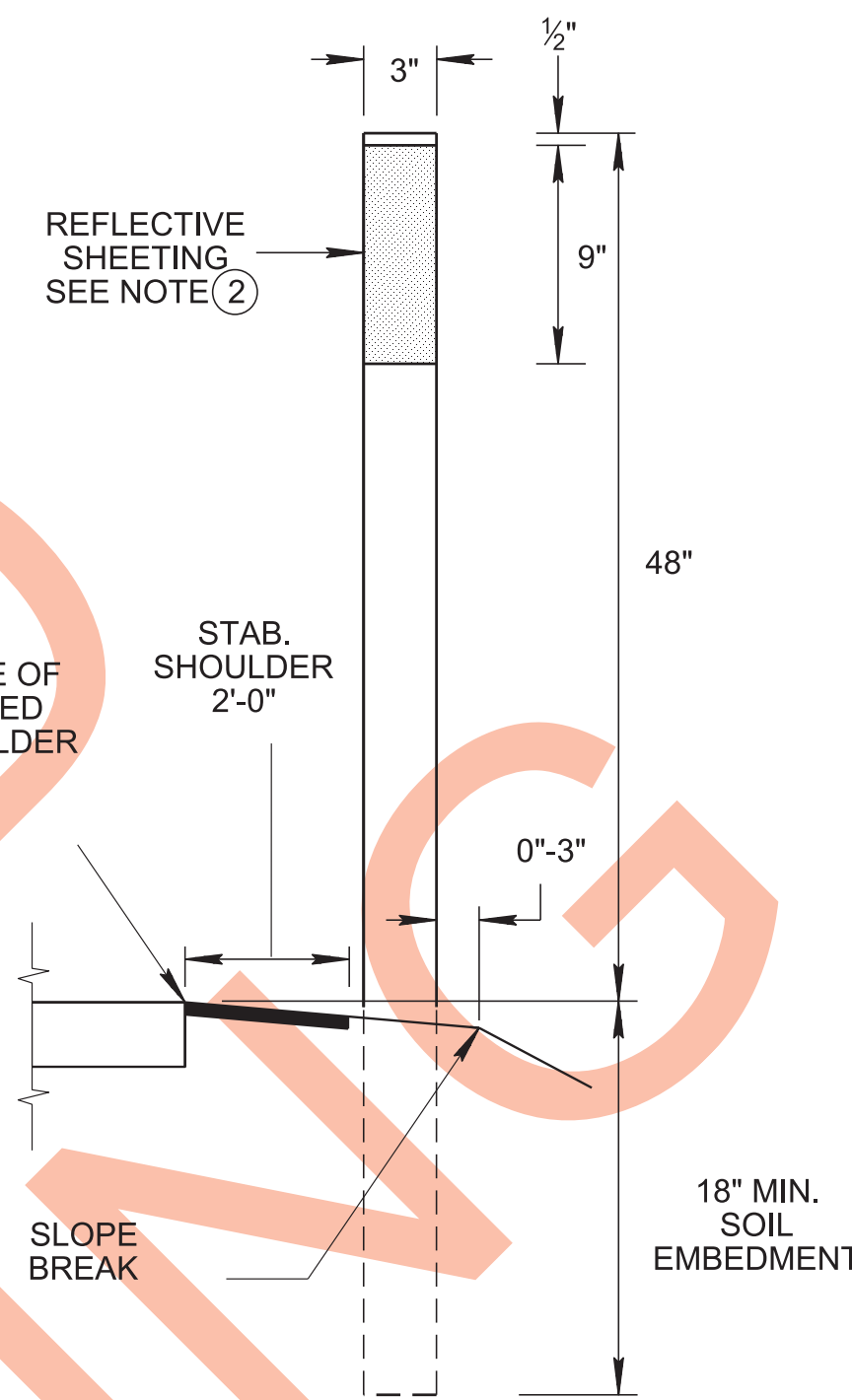


PLAN VIEW



ELEVATION VIEW

SECTION A-A



GROUND MOUNTED FLEXIBLE DELINEATOR

SURFACE MOUNTED FLEXIBLE DELINEATOR

**BARRIER MOUNTED FLEXIBLE DELINEATOR GENERAL NOTES**

- (A) SPACING FOR DELINEATORS NOT IN A TAPER SHOULD BE A DISTANCE IN FEET APPROXIMATELY EQUAL TO TWO TIMES THE POSTED SPEED LIMIT IN MILES PER HOUR. THE MAXIMUM SPACING IN FEET BETWEEN DELINEATORS IN A TAPER SHOULD BE APPROXIMATELY EQUAL TO THE POSTED SPEED IN MILES PER HOUR, BUT WILL NOT EXCEED ONE HALF THE SPACING OF THE DELINEATORS NOT IN A TAPER.
- (B) IF USED FOR TRAFFIC IN TWO DIRECTIONS, TWO SIDED DELINEATORS SHALL BE USED.
- (C) THE BARRIER MOUNTED FLEXIBLE DELINEATORS FACE, SUPPORT, INSTALLATION AND HARDWARE ARE TO BE PAID FOR UNDER THE PRICE BID FOR  
 713-02.26 CONCRETE BARRIER/PARAPET DELINEATOR PER EACH  
 713-02.27 CONCRETE BARRIER/PARAPET DELINEATOR (BI-DIRECTIONAL) PER EACH
- (D) BARRIER MOUNTED FLEXIBLE DELINEATORS SHALL BE 3" WIDTH MINIMUM X 4" HEIGHT MINIMUM.
- (E) ONLY PRODUCTS LISTED ON THE DEPARTMENT'S QPL SHALL BE USED.
- (F) BARRIER MOUNTED FLEXIBLE DELINEATORS SHALL BE INSTALLED PER MANUFACTURER'S INSTRUCTIONS.

**GROUND MOUNTED AND SURFACE MOUNTED FLEXIBLE DELINEATOR GENERAL NOTES**

- ① THE REFLECTIVE SHEETING SHALL MEET THE REQUIREMENTS OF AASHTO M268, TYPE III OR HIGHER RETROREFLECTION PERFORMANCE LEVEL.
- ② THE REFLECTIVE SHEETING STRIP ON THE DELINEATORS SHALL BE MIN. 9 INCHES IN LENGTH AND SUFFICIENT WIDTH TO PROVIDE A MIN. 3 INCHES WIDE PROFILE FACING APPROACHING TRAFFIC. THE VARIATIONS IN REFLECTIVE SHEETING DIMENSION SHOULD NOT EXCEED ± 10%.
- ③ THE CONTRACTOR SHALL SELECT MATERIAL FROM THE DEPARTMENT'S QUALIFIED PRODUCTS LIST.
- ④ THE COLOR OF THE DELINEATOR POST SHALL BE WHITE UNLESS OTHERWISE NOTED ON THE PLANS.
- ⑤ THE COLOR OF THE REFLECTIVE SHEETING SHALL CONFORM TO THE COLOR OF EDGE LINES STIPULATED IN SUBSECTION 3B-6 (PAGE 3B-8 AND 3B-11) OF THE CURRENT EDITION OF THE MANUAL ON UNIFORM TRAFFIC CONTROL DEVICES.
- ⑥ PAYMENT FOR GROUND MOUNTED FLEXIBLE DELINEATORS WILL BE MADE AS FOLLOWS:  
 ITEM NUMBER 713-02.30, FLEXIBLE TUBULAR DELINEATOR PER EACH.
- ⑦ SPACING FOR FLEXIBLE DELINEATOR POSTS SHALL BE 20' OR LESS.
- ⑧ SURFACE MOUNTED FLEXIBLE DELINEATORS SHALL BE INSTALLED PER MANUFACTURER'S INSTRUCTIONS.

REV. 10-10-06: ADDED DETAIL FOR GROUND MOUNTED FLEXIBLE DELINEATOR AND GENERAL NOTES.  
 REV. 11-1-11: REVISED SHOULDER DETAILS.  
 REV. 3-16-17: ADDED DETAIL FOR SURFACE MOUNTED FLEXIBLE DELINEATOR. ADDED GENERAL NOTES. MODIFIED THE NAME OF THE DRAWING. CHANGED THE PAY ITEM NUMBERS. REPLACED VERTICAL PANELS WITH BARRIER MOUNTED FLEXIBLE DELINEATORS.

MINOR REVISION -- FHWA APPROVAL NOT REQUIRED.

STATE OF TENNESSEE  
 DEPARTMENT OF  
 TRANSPORTATION

DETAILS FOR  
 FLEXIBLE  
 DELINEATORS