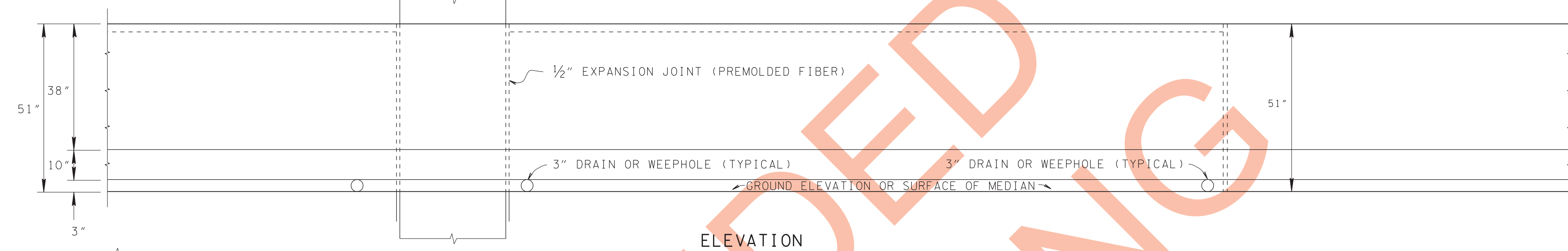
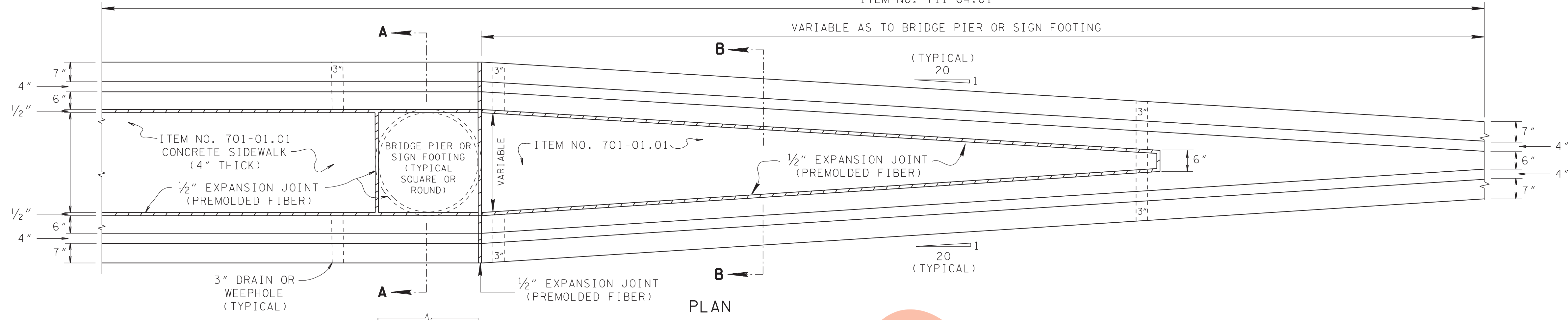
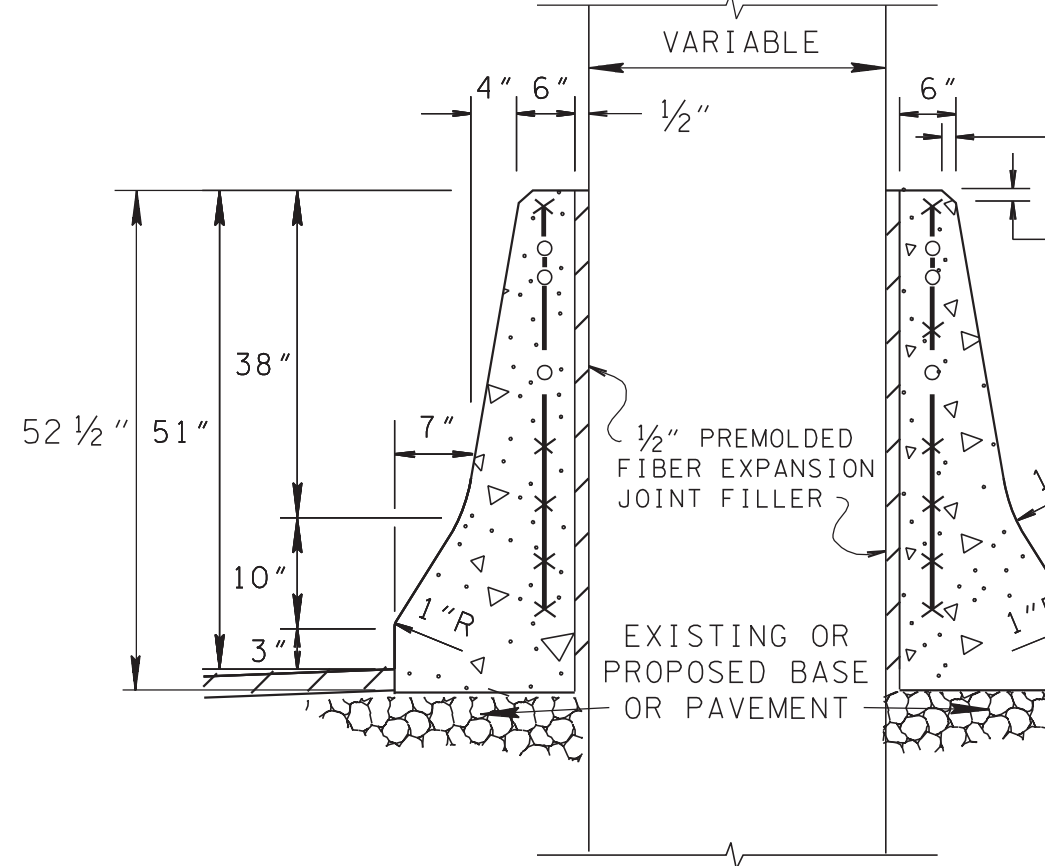


ITEM NO. 711-04.01

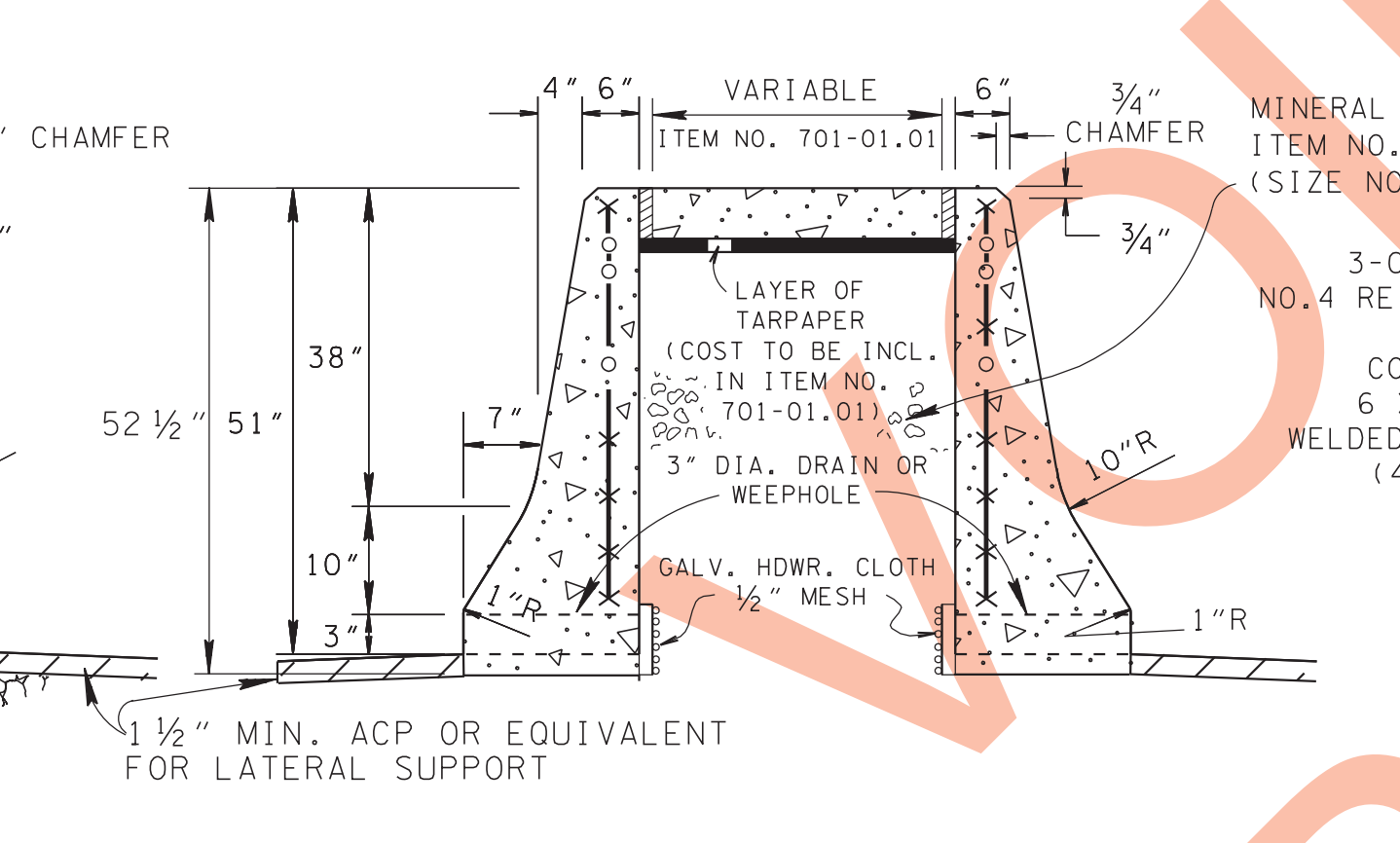


ELEVATION

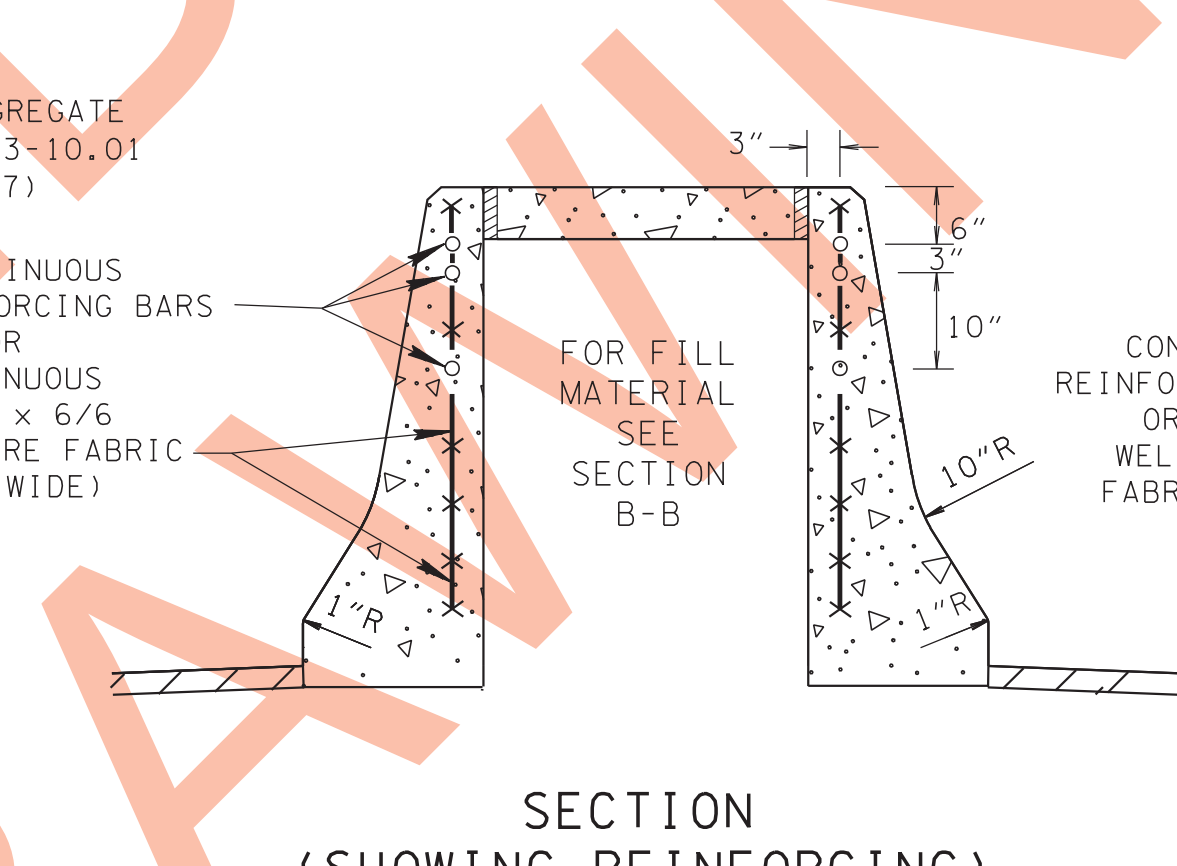
- REV. 10-26-91: REDREW AND REORGANIZED SHEET. CHANGED MINERAL AGGREGATE USED FOR BACKFILL FROM ITEM NO. 303-15 TO 303-10.01. CHANGED STONE SIZE FROM 467 TO 57.
- REV. 10-26-92: CHANGED ITEM FOR MINERAL AGGREGATE USED FOR BACKFILL FROM ITEM NO. 303-10.01 TO 303-15.01.
- REV. 7-29-93: MODIFIED DETAIL FOR BASE OF MEDIAN BARRIER WALL. ADDED GENERAL NOTES REGARDING CONTRACTION AND EXPANSION JOINTS, AND TEXTURE FINISH. CHANGED REINFORCING STEEL AT EXPANSION JOINT.
- REV. 5-27-96: MODIFIED ELEVATION VIEW.
- REV. 5-27-01: CHANGED ITEM NO. 303-15.01 TO 303-10.01.



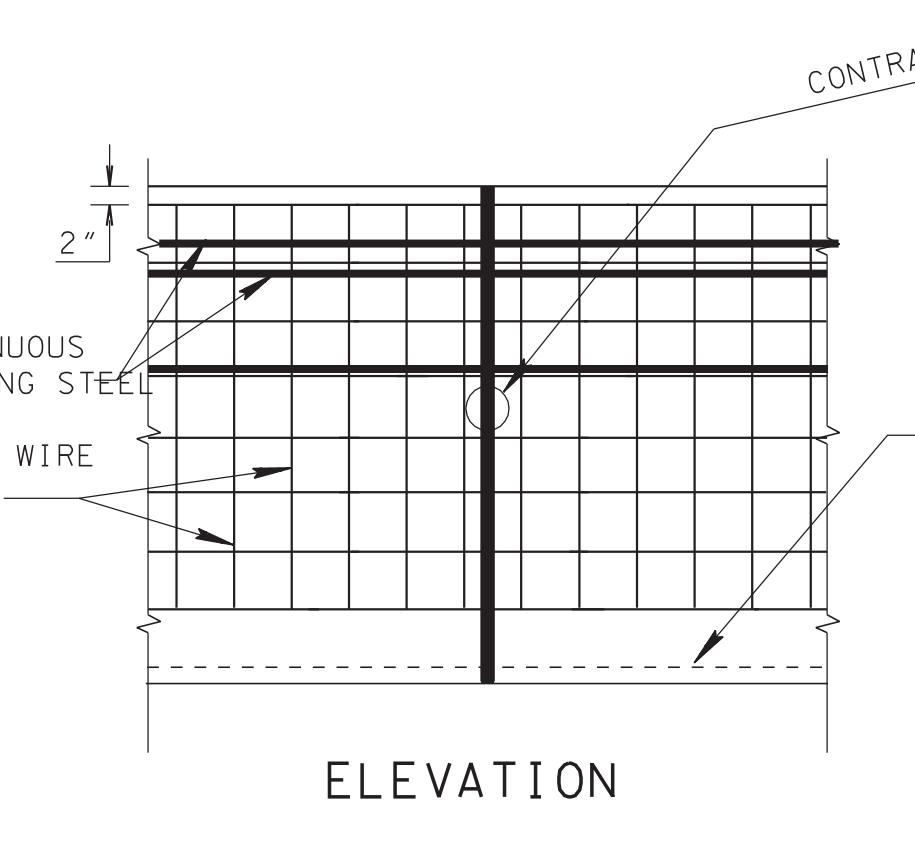
SECTION A-A
(DETAIL AT PIERS)



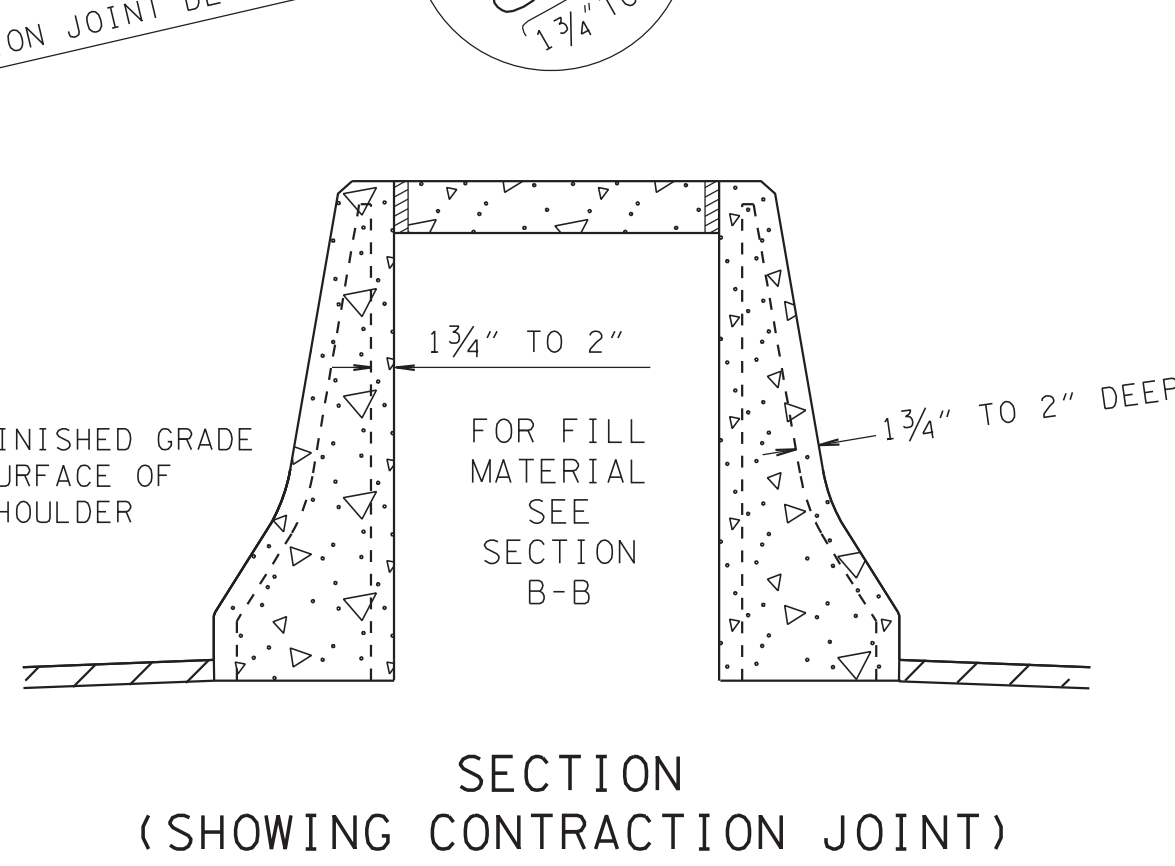
SECTION B-B
(DETAIL BETWEEN PIERS AND IN TAPER)



SECTION
(SHOWING REINFORCING)

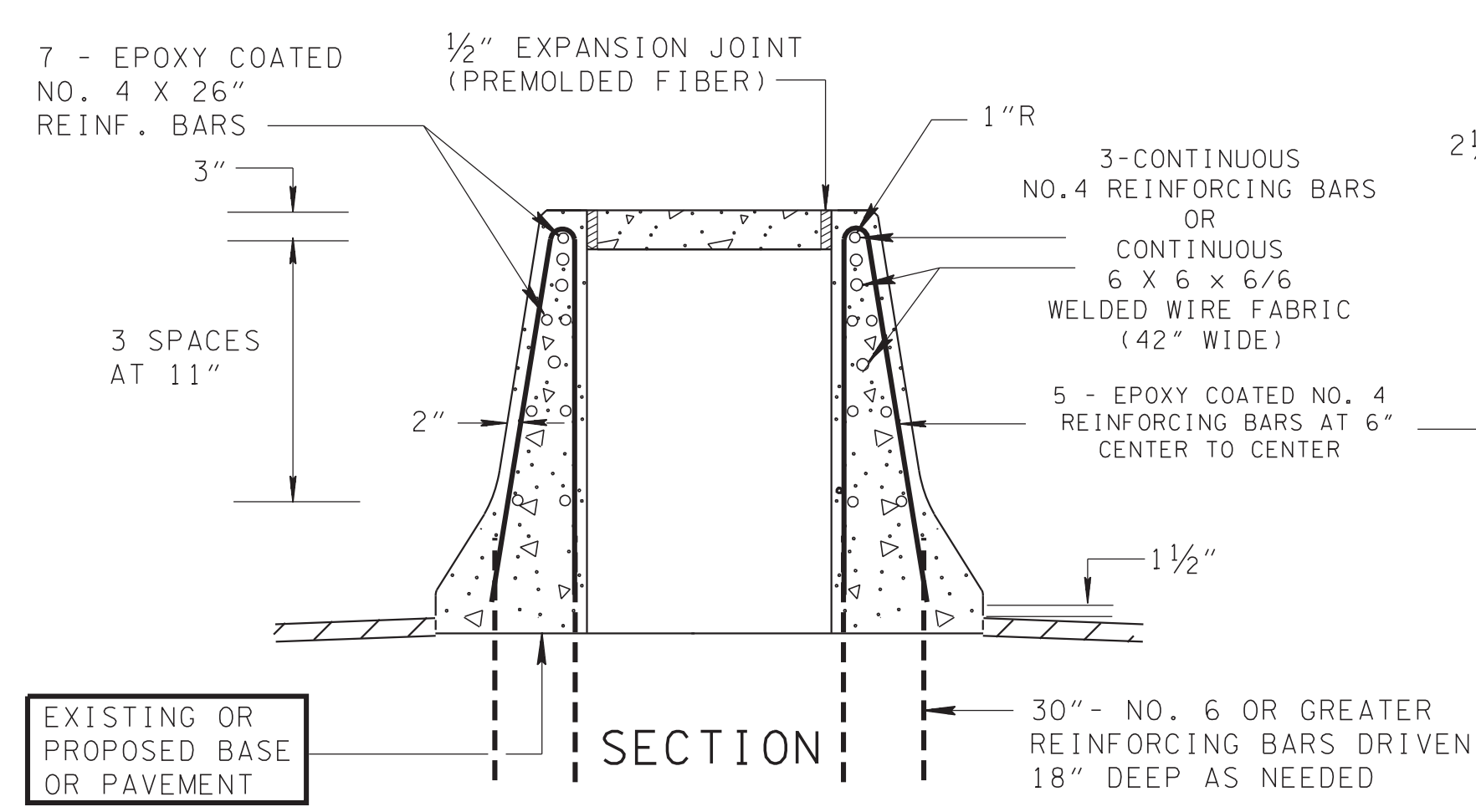


ELEVATION

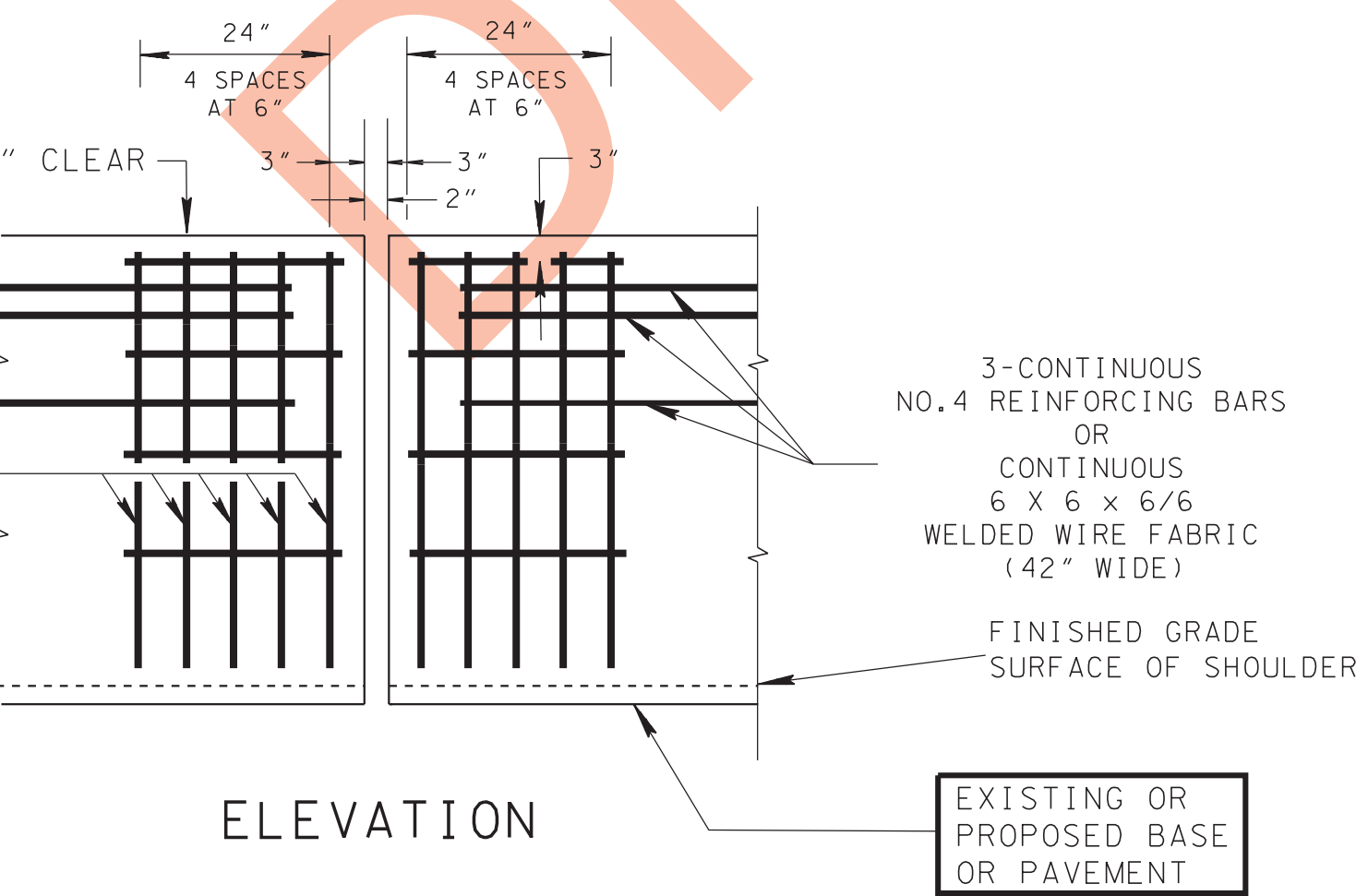


SECTION
(SHOWING CONTRACTION JOINT)

DETAILS OF REINFORCING AND CONTRACTION JOINT FOR GLARE SCREEN MEDIAN BARRIER (BRIDGE PIER PROTECTION)



SECTION
DETAILS OF REINFORCING AT EXPANSION JOINT FOR GLARE SCREEN MEDIAN BARRIER (BRIDGE PIER PROJECTION)



ELEVATION

- GENERAL NOTES**
- (A) CONCRETE MEDIAN BARRIER SHALL BE CONSTRUCTED IN ACCORDANCE WITH STANDARD SPECIFICATIONS FOR ROAD AND BRIDGE CONSTRUCTION, SECTION 711 AND/OR CURRENT SPECIAL PROVISIONS.
 - (B) DETAILS SHOWN ON THIS SHEET ARE BASED ON MONOLITHIC GLARE SCREEN BARRIER SHOWN ON STANDARD DRAWING S-MB-3. WHEN GLARE SCREEN WALL IS POURED IN TWO (2) LIFTS, THE CONTRACTOR WILL AUGMENT DETAILS SHOWN ON THIS SHEET TO CONCUR WITH STANDARD DRAWING NO. S-MB-3A. THE TYPE SECTION UTILIZED FOR ITEM 711-04.01 WILL MATCH THE TYPE SECTION UTILIZED FOR ITEM 711-04.
 - (C) SEE STANDARD DRAWING NOS. S-MB-3 AND S-MB-3A FOR ADDITIONAL DETAILS AND GENERAL NOTES REGARDING CONTRACTION JOINTS, EXPANSION JOINTS AND TEXTURE FINISH.
 - (D) SEE STANDARD DRAWING S-MB-1 FOR DETAILS AND REQUIREMENTS FOR MEDIAN BARRIER DELINEATOR.
 - (E) MEDIAN BARRIER DELINEATORS WILL NOT BE REQUIRED IN AREAS WHERE ROADWAY IS LIGHTED.
 - (F) THE COST OF FURNISHING AND INSTALLING MEDIAN BARRIER DELINEATORS, INCLUDING ALL MATERIALS, LABOR AND INCIDENTALS NECESSARY TO COMPLETE THE INSTALLATION, SHALL BE INCLUDED IN PRICE BID FOR CONCRETE MEDIAN BARRIER. SEE S-MB-1 FOR LOCATION.
 - (G) ALONG TOP EDGES OF CONCRETE MEDIAN BARRIER THE CONTRACTOR MAY USE 3/4" RADIUS IN LIEU OF 3/4" CHAMFER SHOWN ON THIS DRAWING.
 - (H) PAYMENT WILL BE MADE UNDER ITEM NO. 711-04.01, CONCRETE GLARE SCREEN MEDIAN BARRIER AT BRIDGE PIERS PER LINEAR FOOT.

MINOR REVISION -- FHWA APPROVAL NOT REQUIRED.

STATE OF TENNESSEE
DEPARTMENT OF TRANSPORTATION

STANDARD CONCRETE
GLARE SCREEN
MEDIAN BARRIER
(BRIDGE PIER PROTECTION)

7-4-88 S-MB-4