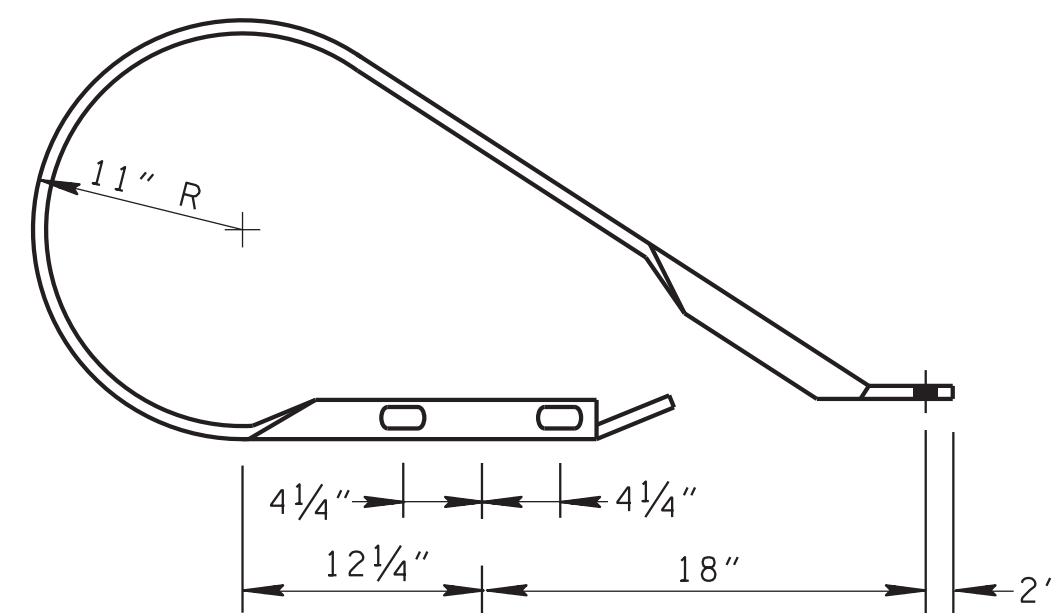
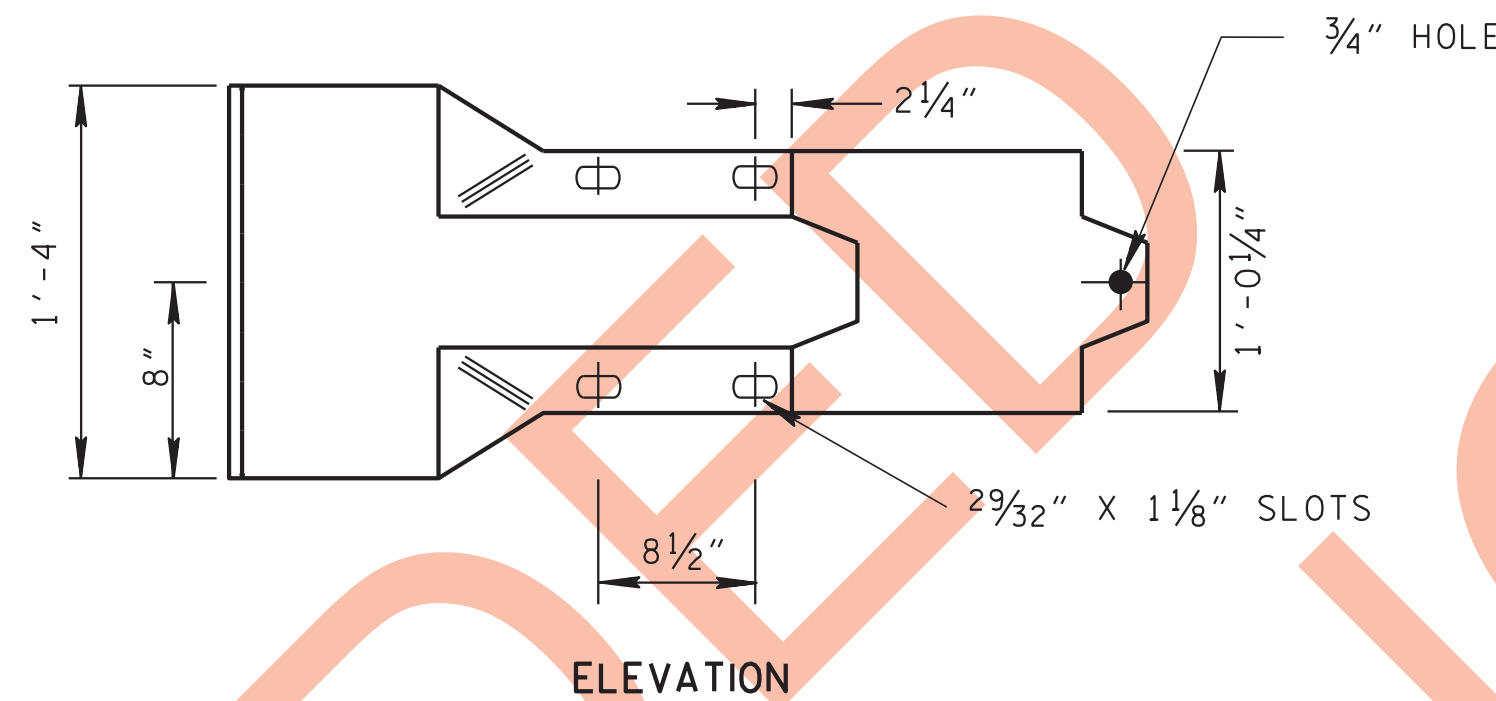


SECTION "B-B" (S-GRT-3)
(TYPICAL AT POST NOS. 3 & 4)



PLAN



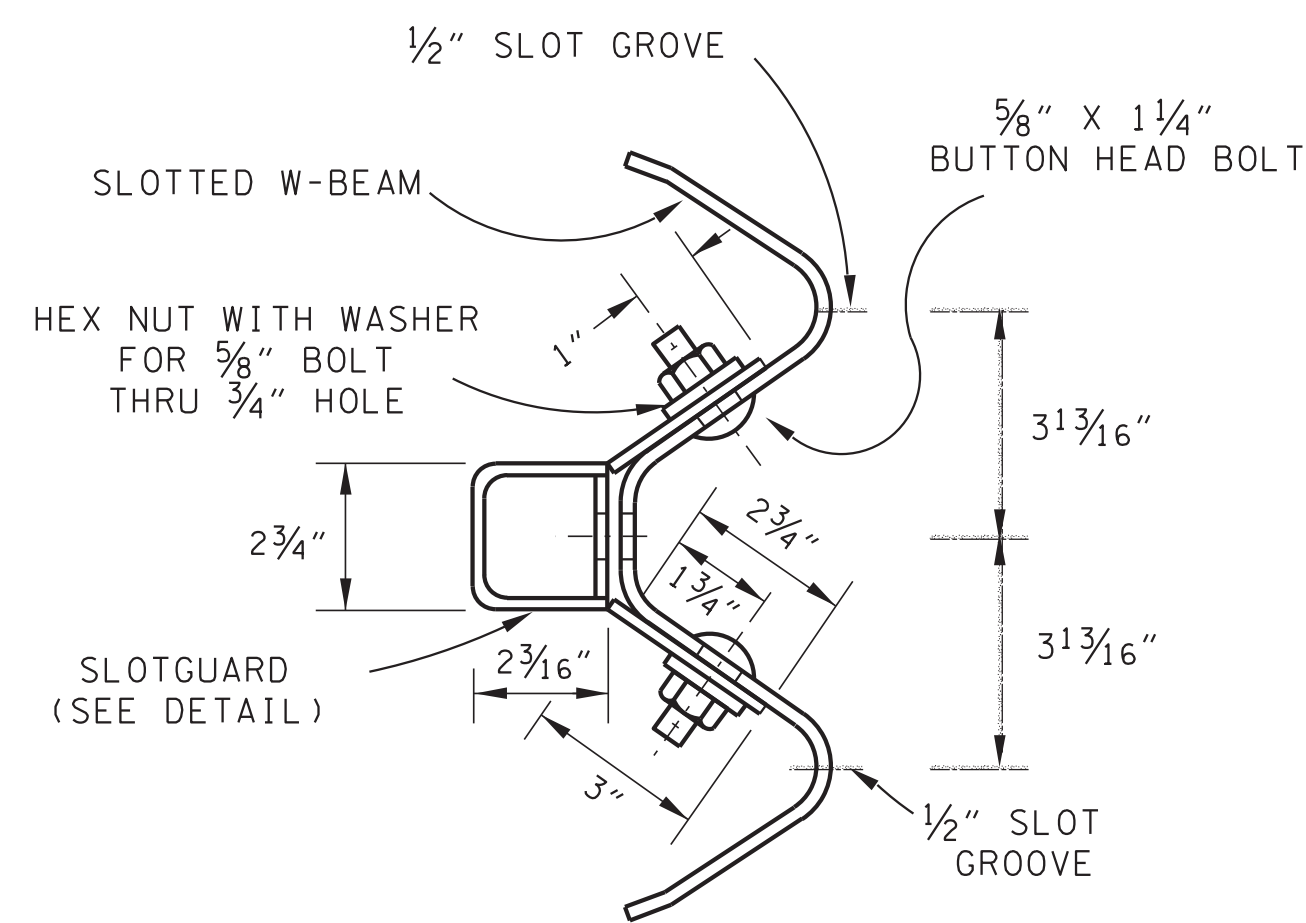
ELEVATION

END ELEMENT FOR GUARDRAIL TERMINAL (TYPE 2)
(TO BE PREFORMED BY THE MANUFACTURER)

SEE S-GRT-3 FOR SYSTEM VIEW

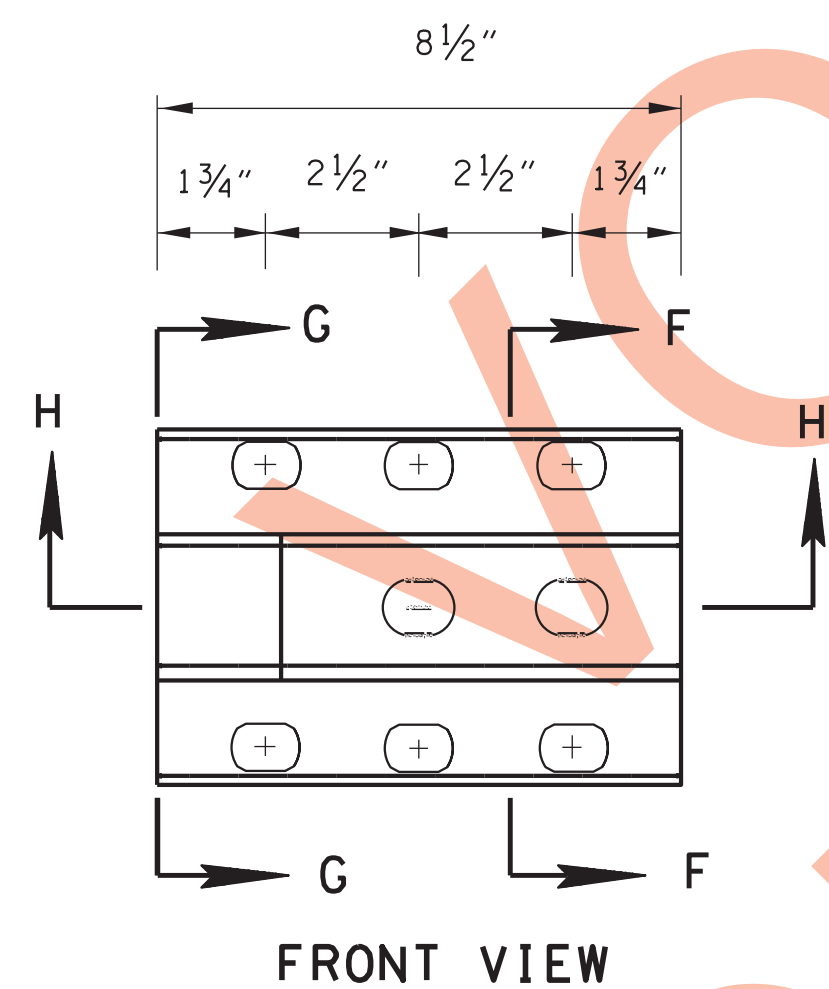
SPECIAL NOTES FOR END ELEMENT

- (A) HOLE SPACING IS THE SAME AS FOR ELEMENT DETAILS. OTHER DIMENSIONS SHOWN MAY VARY SLIGHTLY ACCORDING TO MANUFACTURERS DETAILS.
- (B) ALL END ELEMENTS SHALL BE 12 GAGE STEEL CONFORMING TO THE REQUIREMENTS OF AASHTO M180, CLASS A, TYPE 2.
- (C) RAIL MATERIAL SHALL HAVE A MINIMUM YIELD STRENGTH 50 KIPS PER SQUARE INCH AND A TENSILE STRENGTH OF 70 KIPS PER SQUARE INCH.

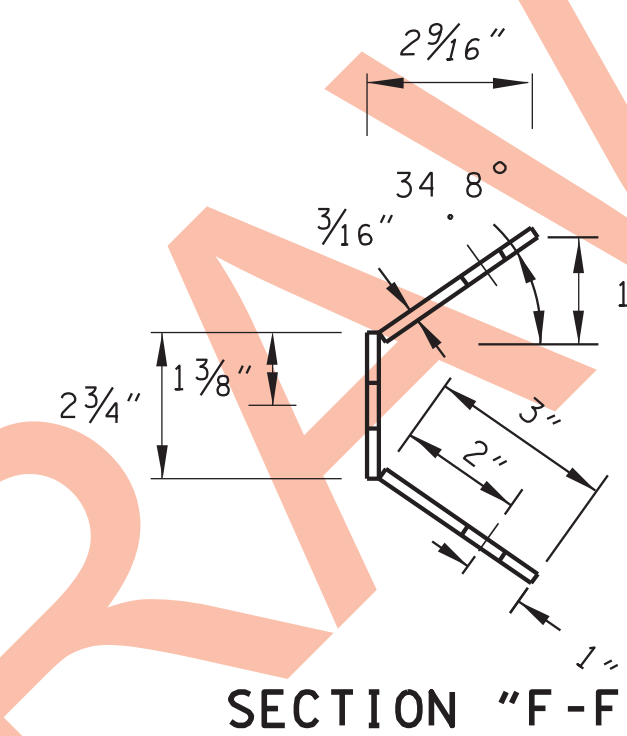


SECTION "E-E" (S-GRT-3)

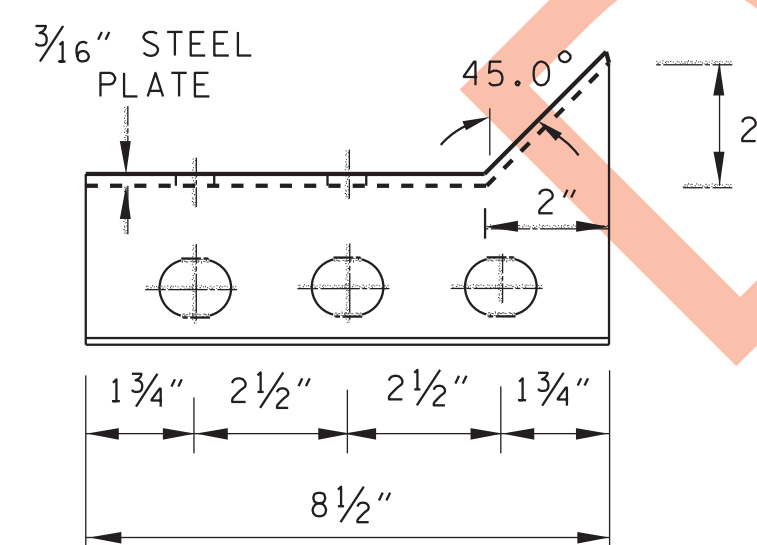
NOTE: 8 - 5/8" X 1 1/4" BUTTON HEAD BOLTS AND NUTS REQUIRED FOR EACH SLOTGUARD ASSEMBLY.



FRONT VIEW



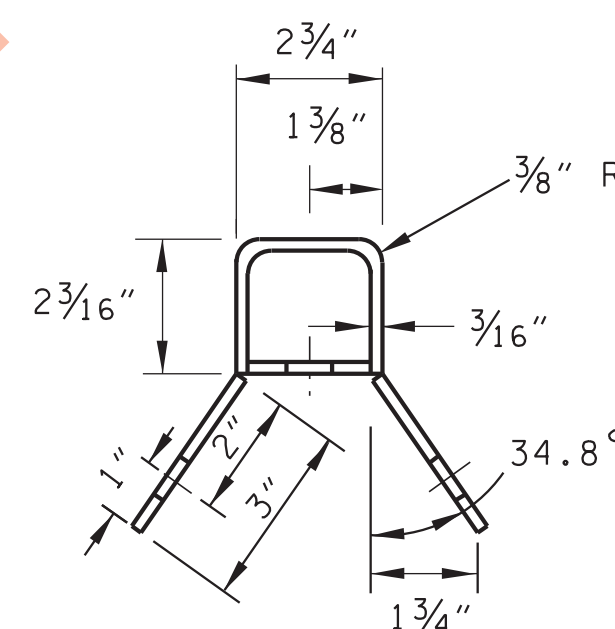
SECTION "F-F"



SECTION "H-H"

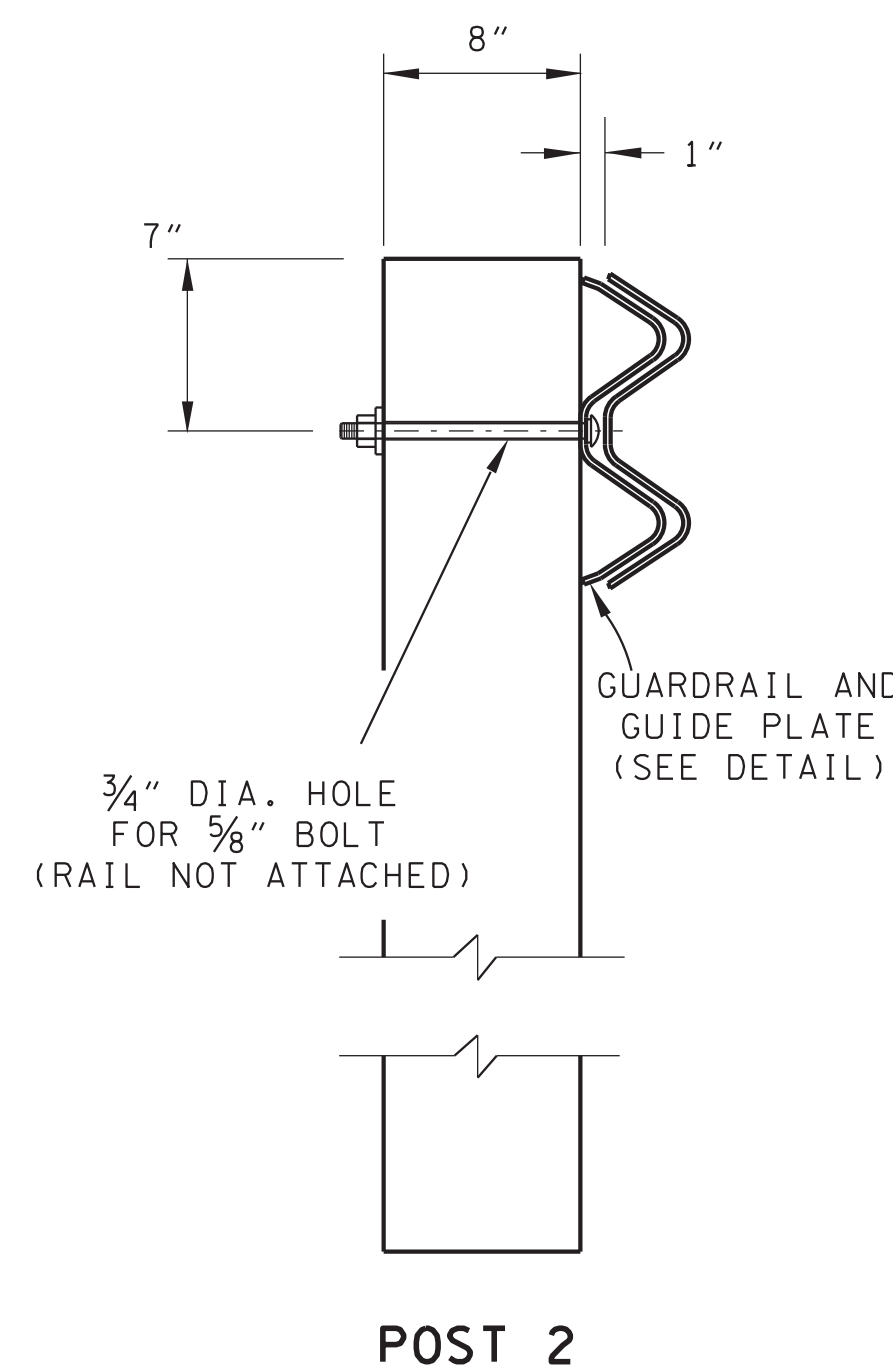
NOTE: ALL HOLES 2 9/32" X 1 1/8" DIAMETER

SLOTGUARD DETAIL



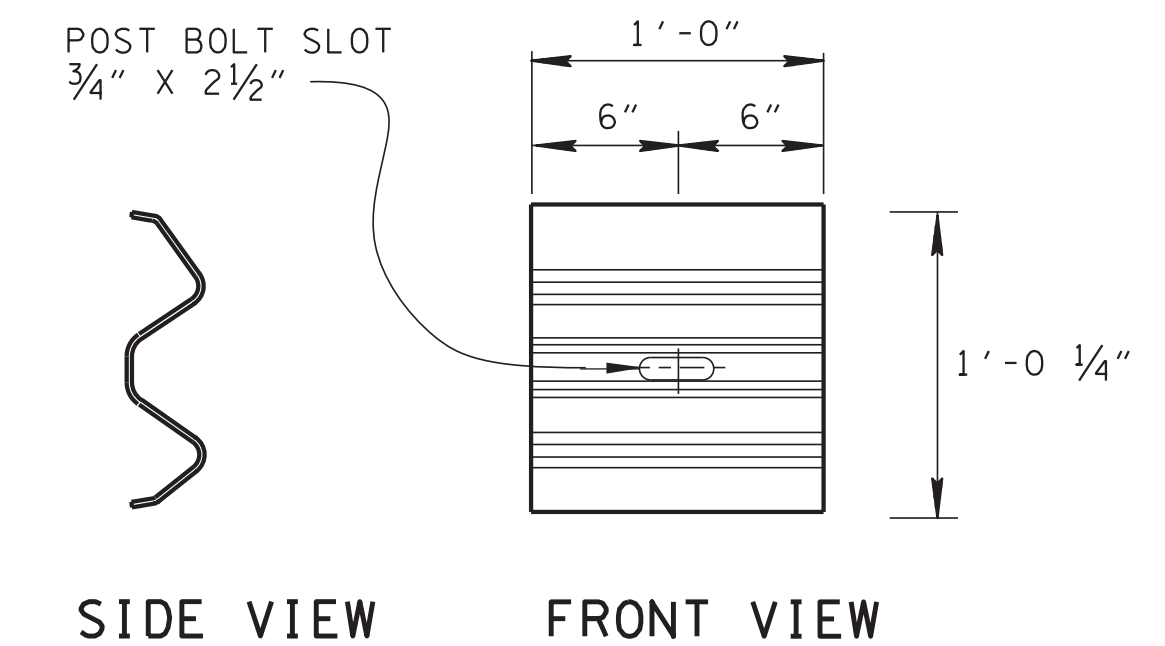
SECTION "G-G"

SIDE VIEW



POST 2

GUARDRAIL WITH BACK UP PLATE DETAIL



GUIDE PLATE (AASHTO M180)

(SAME CLASS AND TYPE AS RAIL ELEMENT)

NOTE: GUARDRAIL AT POST 2 SITS ON TOP OF GUIDE PLATE, BUT IS NOT ATTACHED TO POST BY BOLT. ONLY GUIDE PLATE IS TO BE BOLTED TO POST.