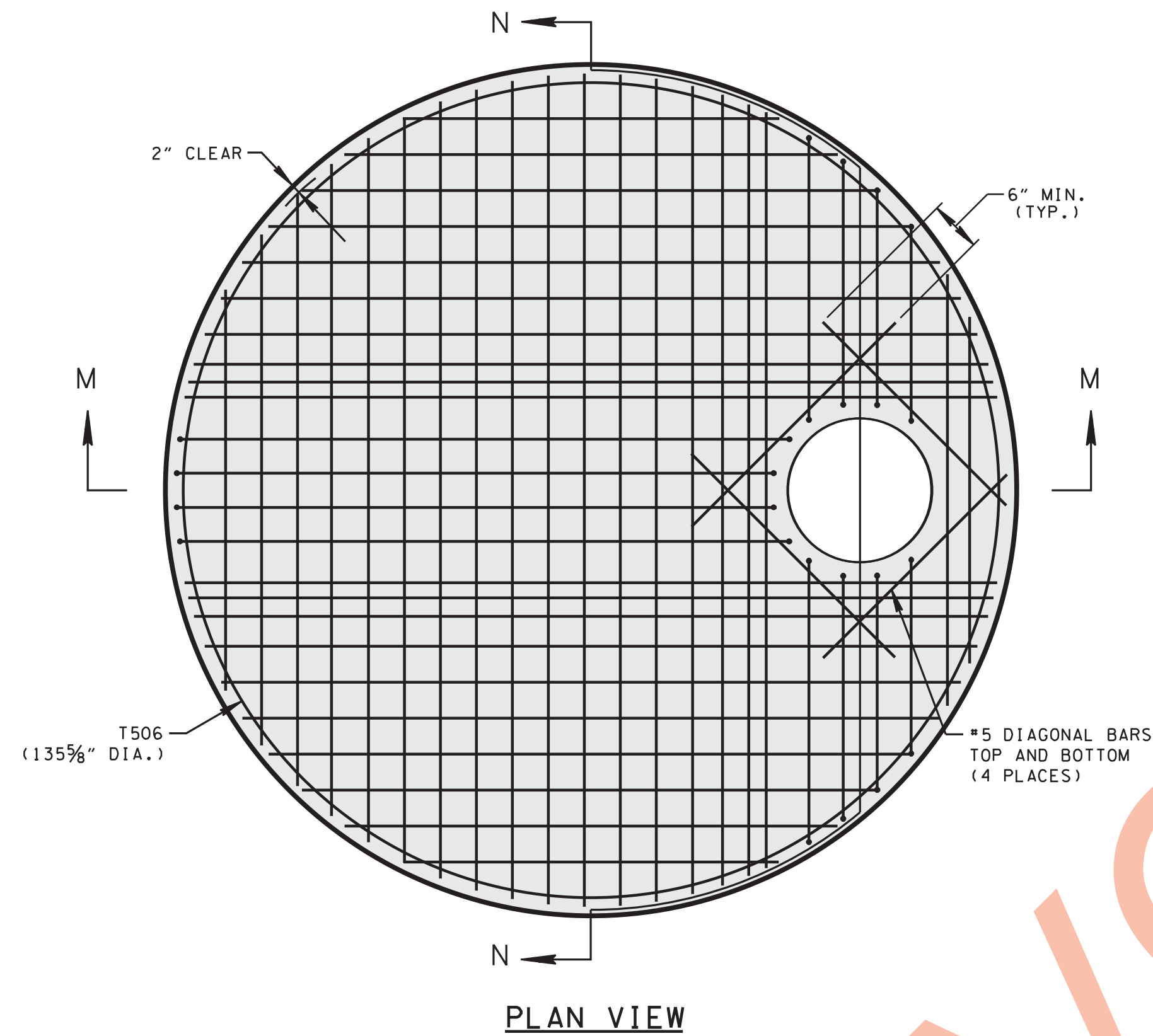
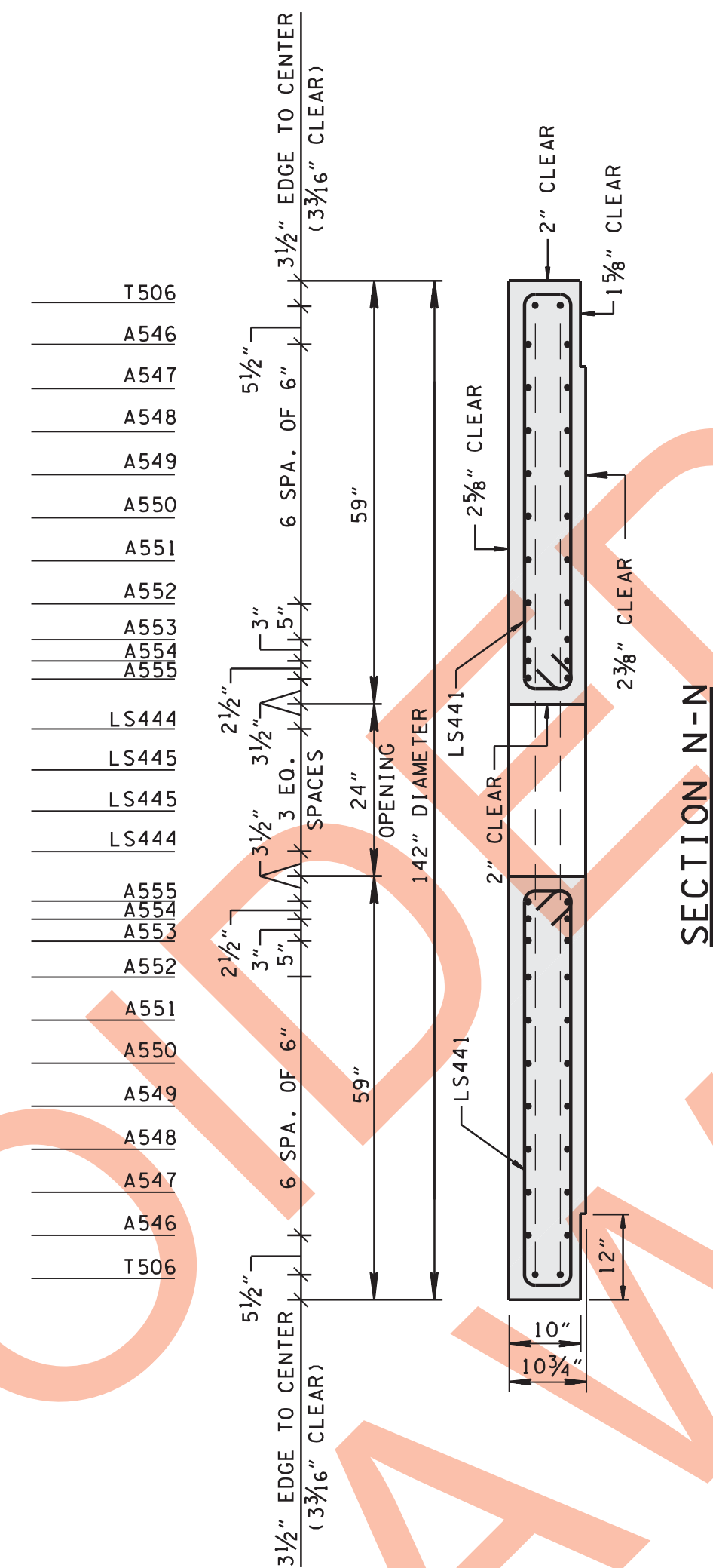


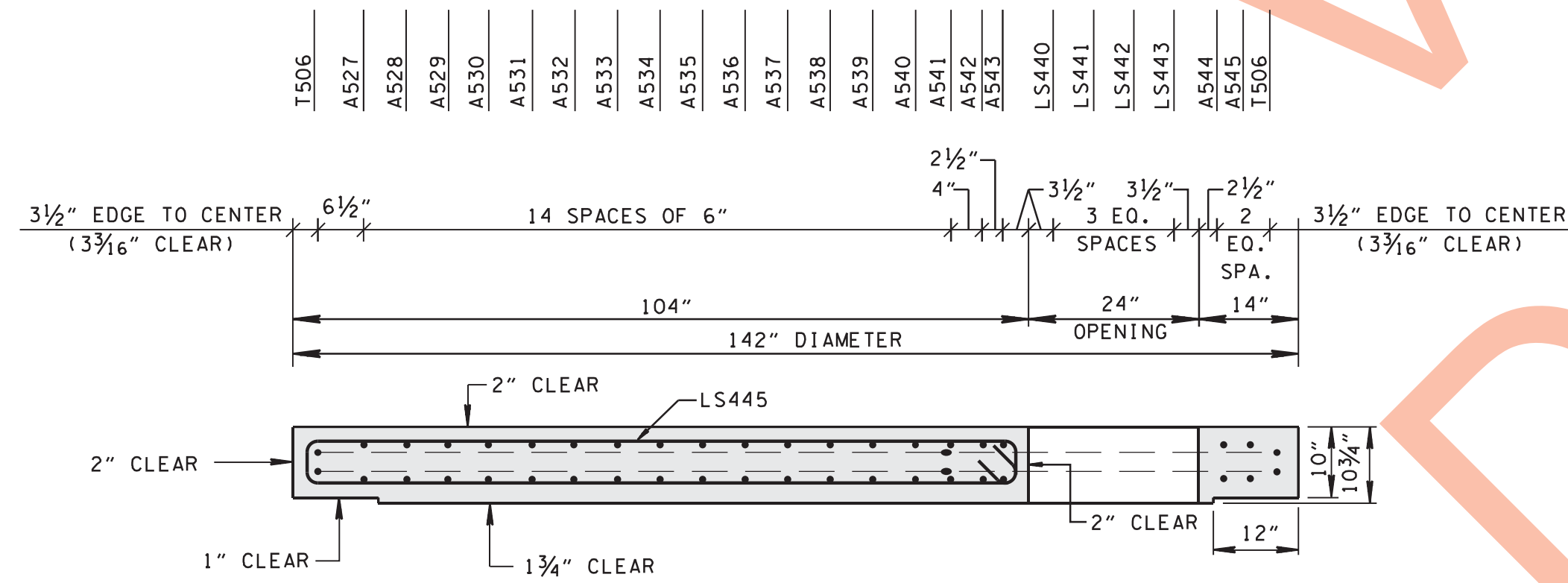
LID DETAIL FOR 120" DIAMETER NO. 3 MANHOLE



PLAN VIEW



SECTION N-N



SECTION M-M

NOTE
 WHERE VERTICAL LEGS OF LS-BARS INTERFERE WITH PLACEMENT OF A-BARS, A-BARS MAY BE SHIFTED TO INSIDE FACE OF LS-BARS.

MINOR REVISION -- FHWA APPROVAL NOT REQUIRED.

STATE OF TENNESSEE
 DEPARTMENT OF TRANSPORTATION

STANDARD PRECAST
 CIRCULAR
 LID DETAILS FOR
 NO. 3 MANHOLE
 (120" DIA.)