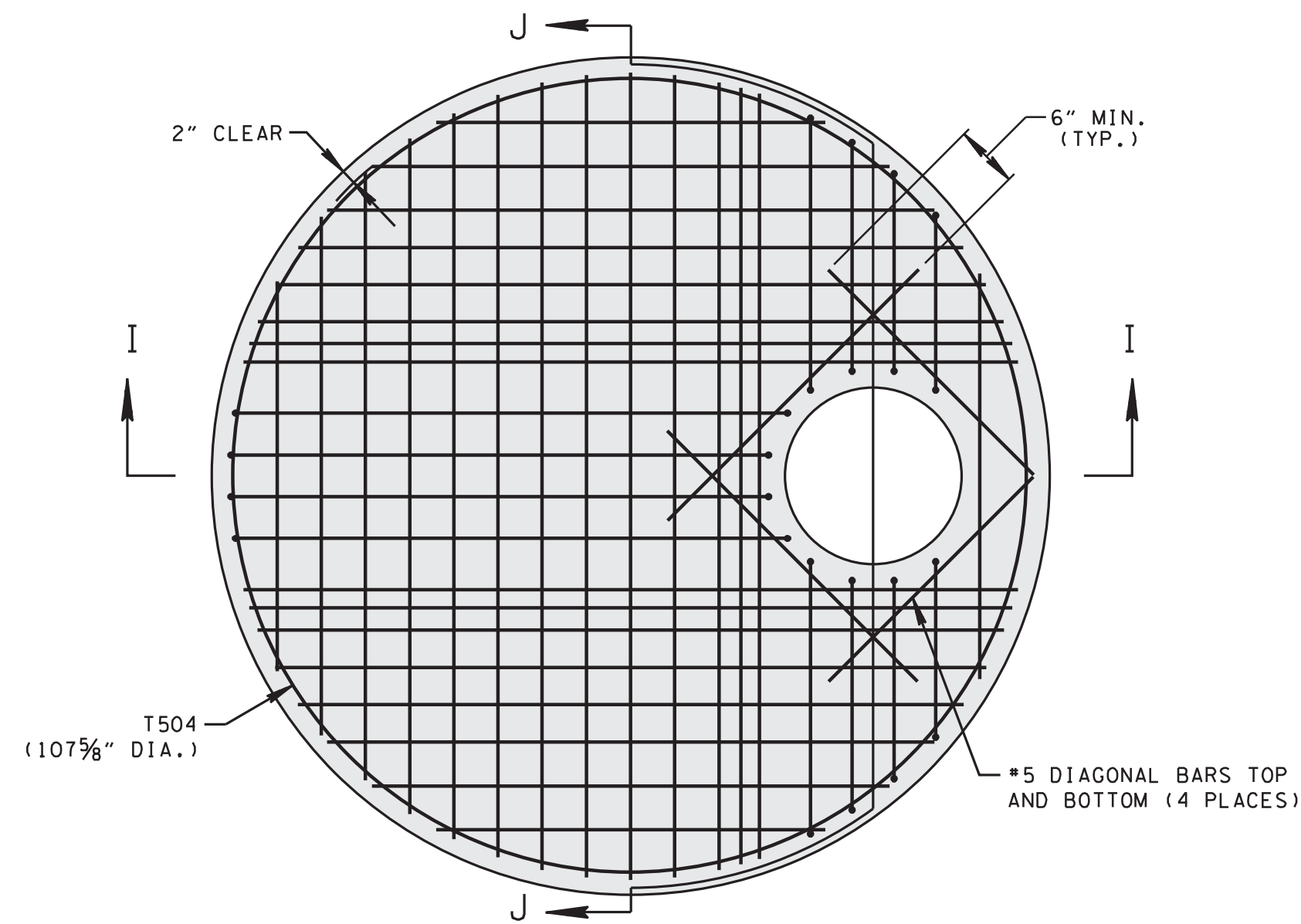


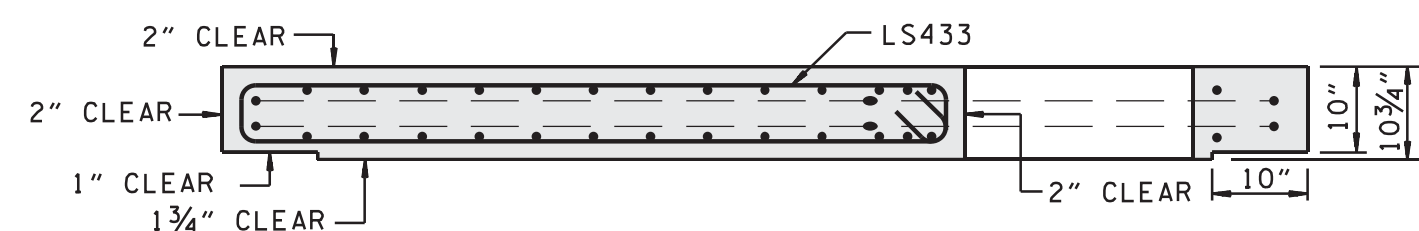
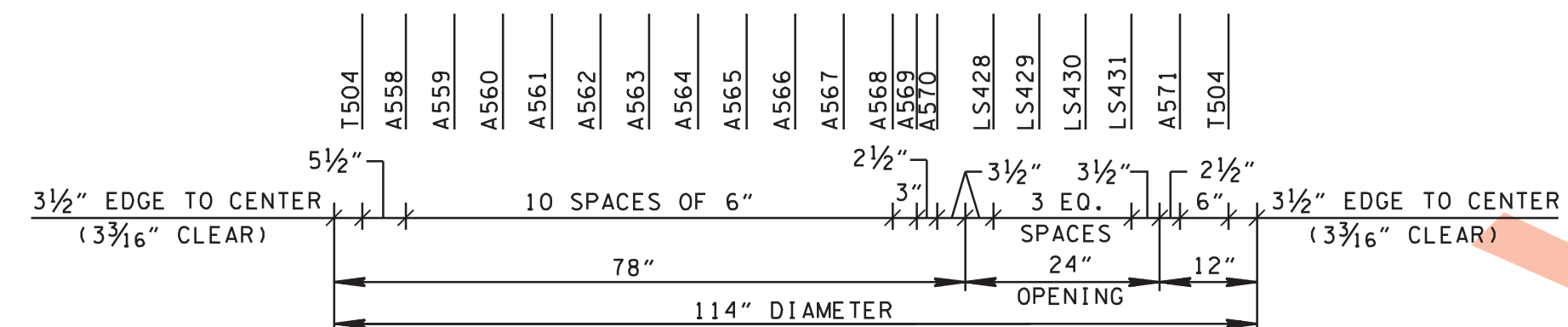
REV. 5-27-01: GENERAL REVISION.

REV. 8-01-12: REVISED MANHOLE LIDS FOR COMPLIANCE WITH AASHTO LRFD BRIDGE DESIGN SPECIFICATIONS, 4TH EDITION WITH INTERIMS. REVISED REINFORCING AND ADDITIONAL MISC. DRAFTING EDITS. ADDED 96" MANHOLE LID AND MOVED 120" MANHOLE TO STANDARD DRAWING D-MH-3B.

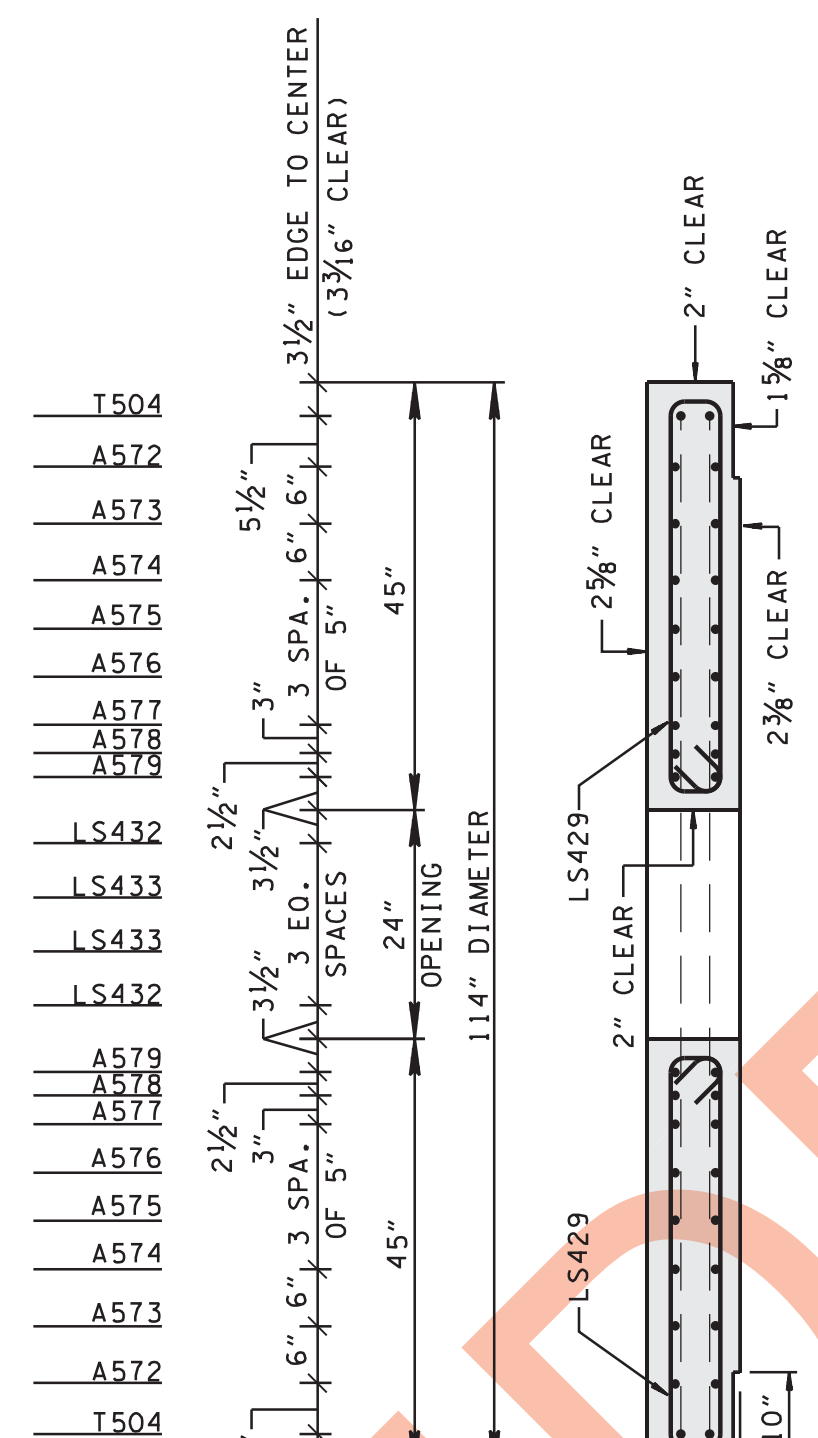
LID DETAIL FOR 96" DIAMETER NO. 3 MANHOLE



PLAN VIEW

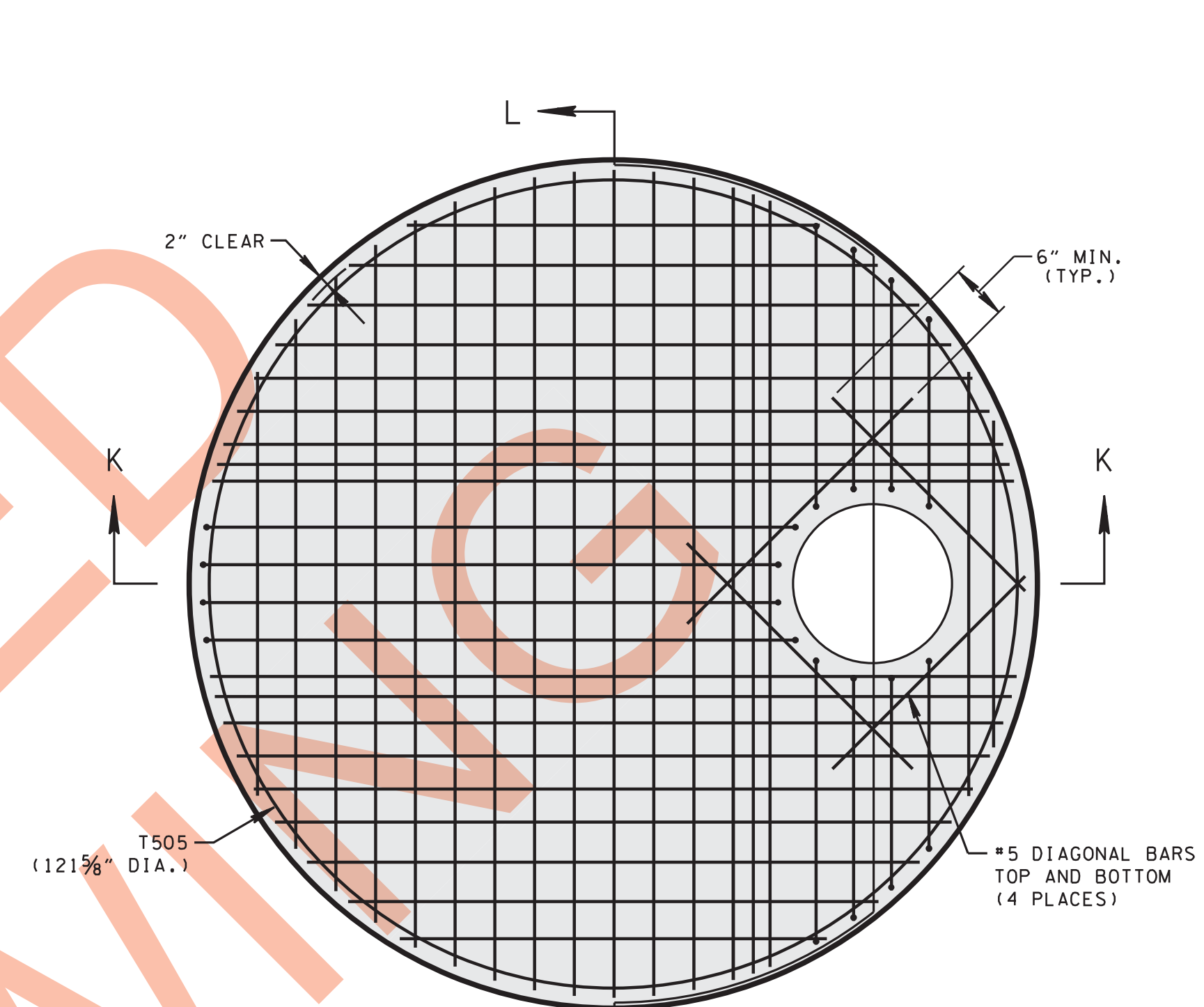


SECTION I-I

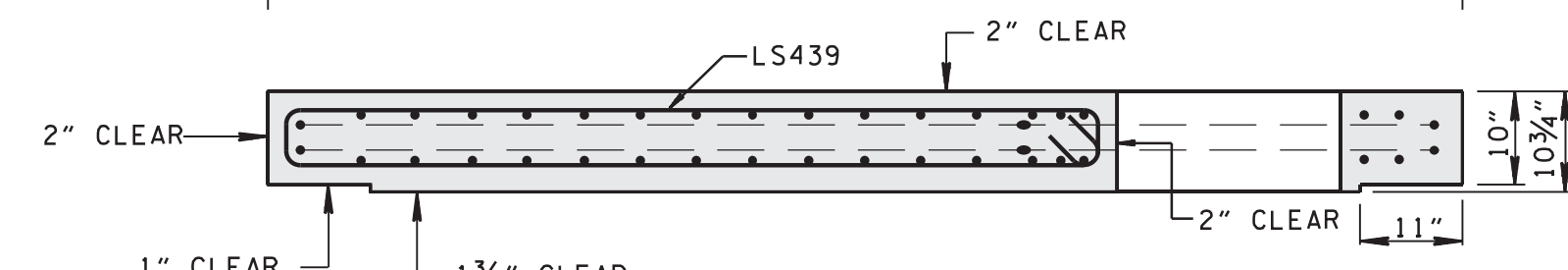
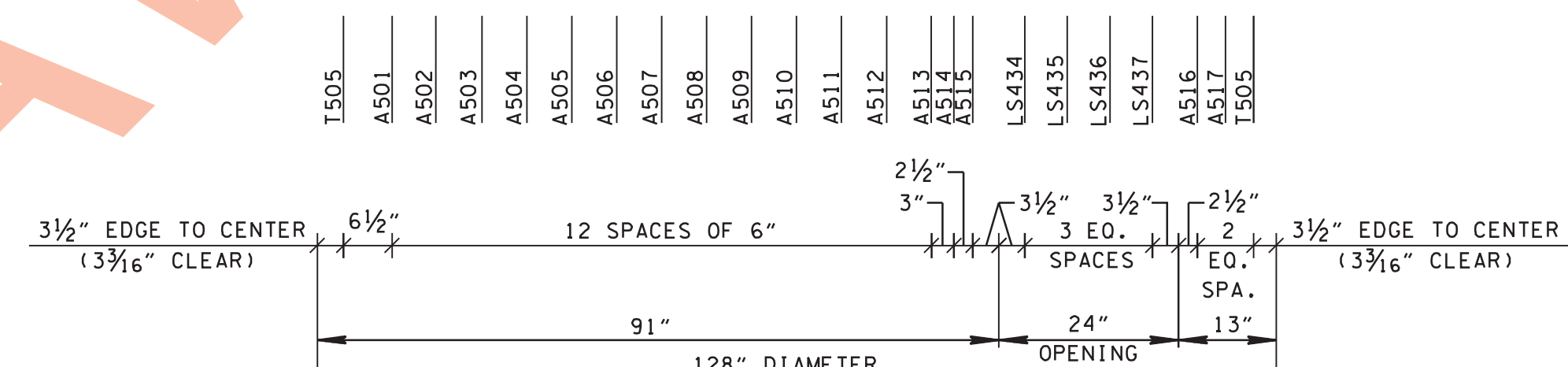


SECTION J-J

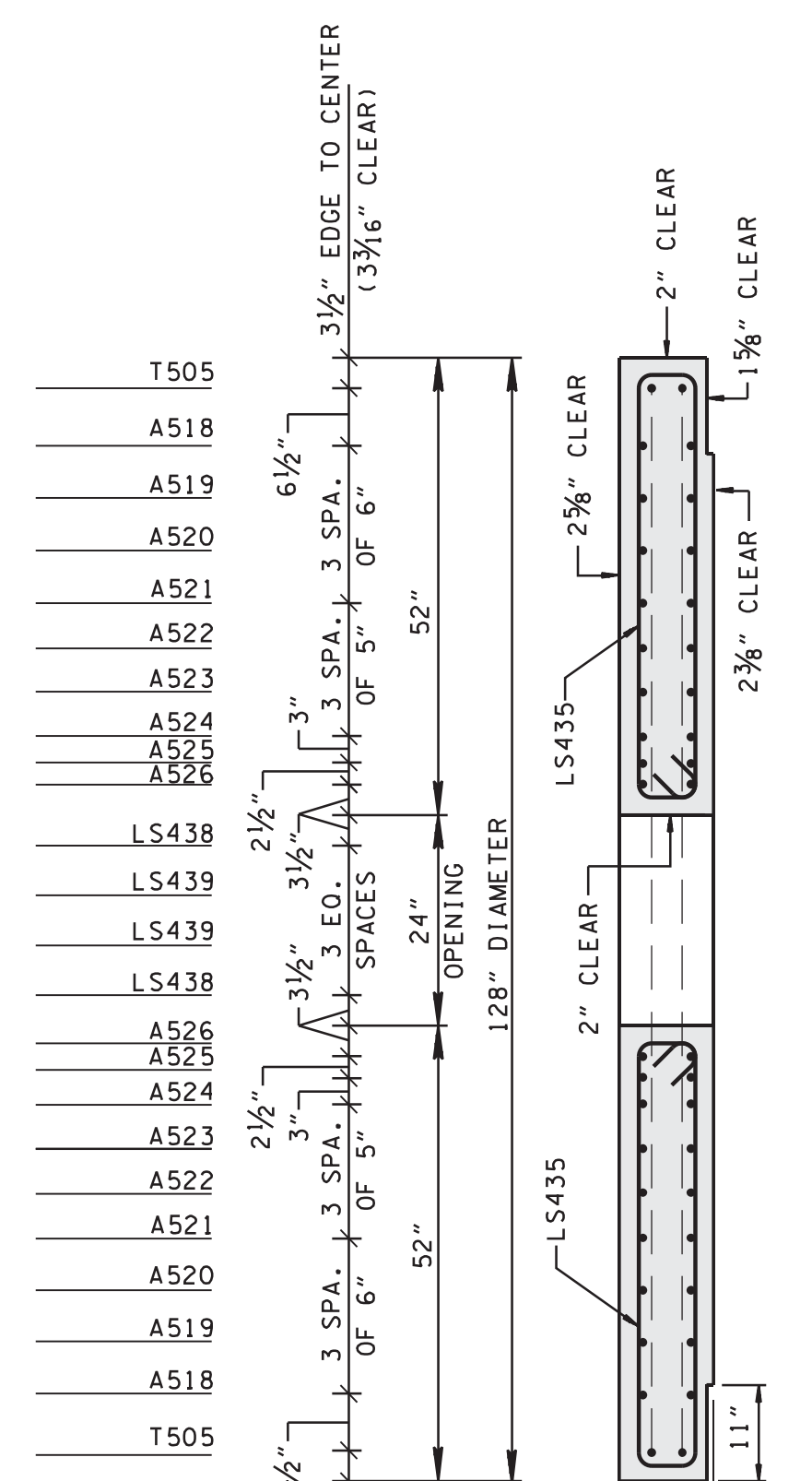
LID DETAIL FOR 108" DIAMETER NO. 3 MANHOLE



PLAN VIEW



SECTION K-K



SECTION L-L

DRAFTING

MINOR REVISION -- FHWA APPROVAL NOT REQUIRED.

**NOTE**  
WHERE VERTICAL LEGS OF LS-BARS INTERFERE WITH PLACEMENT OF A-BARS, A-BARS MAY BE SHIFTED TO INSIDE FACE OF LS-BARS.

STATE OF TENNESSEE  
DEPARTMENT OF TRANSPORTATION

STANDARD PRECAST  
CIRCULAR  
LID DETAILS FOR  
NO. 3 MANHOLE  
(96" AND 108" DIA.)