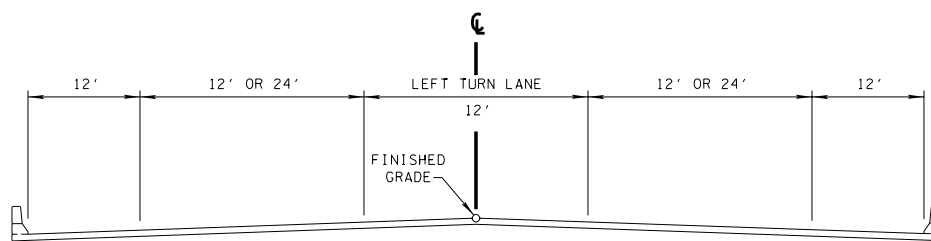
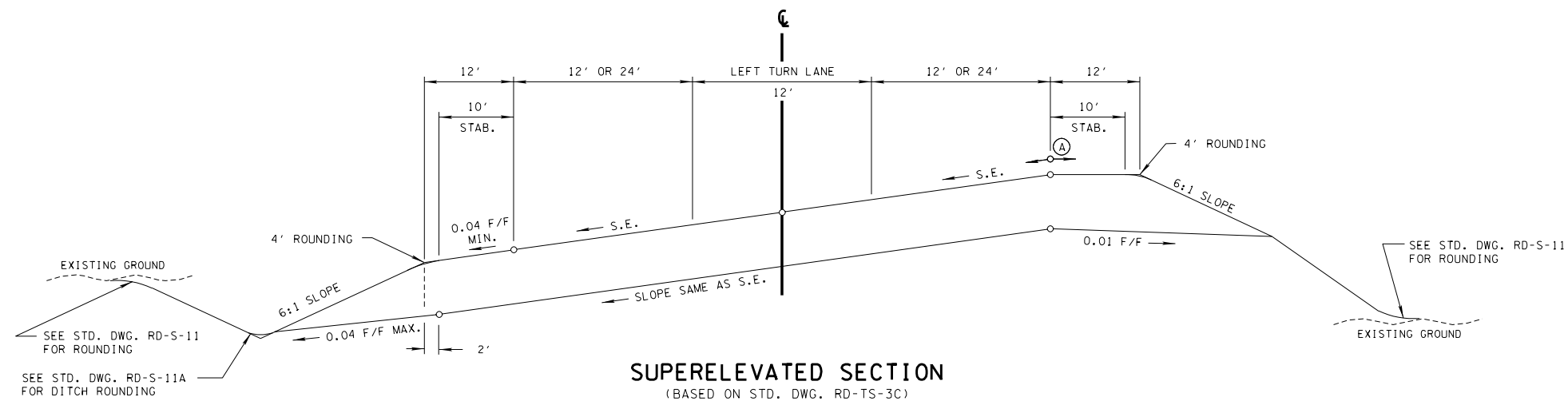
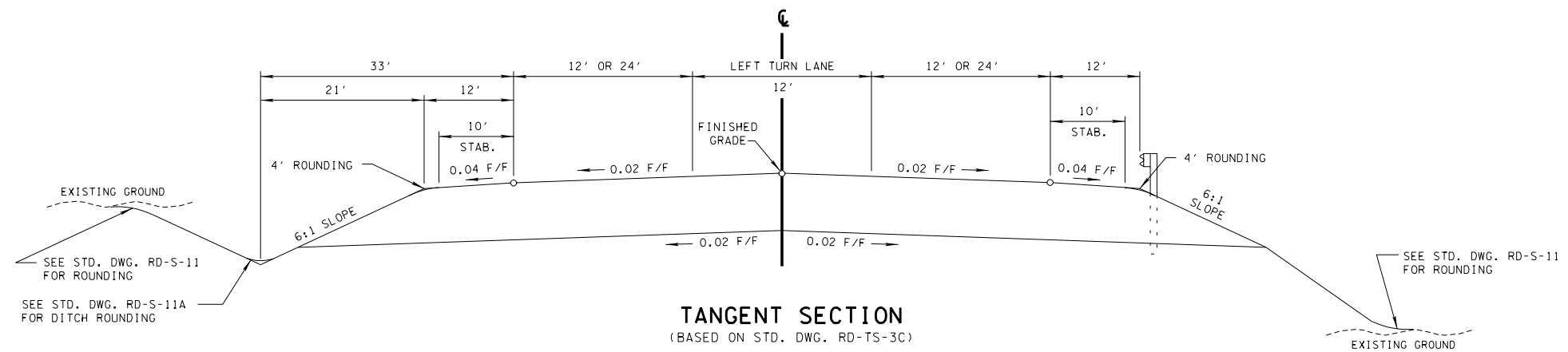


DATE	PROJECT NO.	SHEET NO.
TBA	NPCD-1-69 (3)	2C

SIDE ROADS WITH INTERCHANGE



7/13/2007
J:\TDDOT\1-69\Typical\1-69typ-RED.dgn

