

LEASING PROPOSAL REQUEST

Agency, Office Name	Department of Children’s Services (DCS) Department of Human Services (DHS)
Principal Use Office/Warehouse/Other	Office
Employee Headcount at Premises	DCS – 10 staff *not relevant to staff parking requirement* DHS – 17 staff
Transaction Number	DCS – TR#19-03-910 DHS – TR#19-03-911

	Desired	Alternates Accepted
Service Area and Boundary Requirements	<p>DCS and DHS operations desire to co-locate in contiguous space within Macon County, TN.</p> <ul style="list-style-type: none"> ▪ Preference is for a location that is centrally located within the city limits of LaFayette, TN near related government agencies, schools, courts, and public transportation route lines, if available in the area. ▪ Location must be more than 1,000 feet from Department of Correction or Probation facilities where offenders might be close to children. ▪ As this office provides services to the public, the preferred location is obvious from a public road, includes ease of access and identifiable exterior signage. 	NO
Usable & Rentable Contiguous Square Footage	<p>DCS : 3,000 – 3,400 USF DHS: 4,000 – 4,500 USF 3,400 – 3,800 RSF 4,500 – 5,000 RSF</p> <p>COMBINED TOTAL: 7,000 – 7,900 USF* 7,900 – 8,800 RSF</p> <p>*Usable square footage does not include restrooms, mechanical rooms, janitorial closets, telecom closets or vestibules.</p> <p>The State intends “contiguous” to mean space that is adjacent including floors below or above. The actual square footage will be determined by programming and space planning.</p>	YES

	Proposals with square footages having a 10% deviation (up or down) will be considered an alternate, however, the deviation on useable square footage must not fall below the minimum useable square footage range.	
Parking Requirements	<p><u>Parking Spaces Required</u></p> <p>Free, paved, well lit, striped parking. The parking provided shall include handicap parking to meet the relevant code requirements and special considerations below:</p> <p>DCS: 10 Staff 19 Client = Spaces required 29 DHS: 17 Staff 20 Client = Spaces required 37 Total spaces required 66</p> <p>DCS Parking – Preferred Special Considerations:</p> <ul style="list-style-type: none"> ▪ Staff parking area must be free, safe, well lit, with direct access into building 	YES
Special Buildout and Other Specifications	<p>Rooms such as staff restrooms, breakroom, janitorial and mechanical rooms can be shared.</p> <p>Building must include 24 hour access, appropriate HVAC, and other applicable building mechanics as appropriate for business operation.Y</p> <p>Schedule 1: DHS & DCS Space Needs Analysis Schedule 2: DHS & DCS Concept Plans (not for construction) Schedule 3: DHS & DCS Space Summary Sheet Schedule 4: DHS & DCS Lease Exhibit D Schedule 5: Transaction Window</p>	NO
Term Length	Ten (10) Years with one (1) three (3) year renewal option.	NO
Commencement Date	Estimated to be within 18 months of lease execution pursuant to Pro Forma Lease, Sections 19 and 20.	NO
Termination Options	Termination for Convenience: 90 day per Block 6 of the Lease Termination for Cause: see Lease – Exhibit A, Paragraph 5.	YES

Terms and Conditions	As set forth in Pro Forma Lease. A copy of the Pro Forma Lease form can be found by visiting: www.tnopr.gov Comments to the Lease Template are required with submission of the Lease Proposal Quotation Form.	NO
Utility, Services and Other Costs	Proposals can be quoted as either FULL SERVICE with no pass throughs or MODIFIED GROSS basis with Tenant responsible for payment of utilities and janitorial only.	NO

Communications:

Interested parties must direct all communications regarding this procurement to Cristina Johnstone, Leasing Coordinator, who is the State's official point of contact. Email is the preferred form of communication.

Name: Cristina Johnstone

Phone Number: (615) 939-3108

Email: RFP.Coordinator@tn.gov

Submittal Deadline and Format:

The completed "Lease Proposal Form" must be submitted as follows no later than **2:00 pm Central Standard Time (CST) on Friday, May 14, 2021.**

Submittals must be received via either:

Email: RFP.Coordinator@tn.gov

(It is recommended that any email submission be sent "returned receipt requested" and confirm email is received)

Or

Printed copy to:

Department of General Services/STREAM

Attn: **Steve Lusk**

William R. Snodgrass Tennessee Tower **24th** Floor

312 Rosa L. Parks Avenue, Nashville, TN 37243

Method of Evaluation:

Please refer to the State of Tennessee Real Estate Asset Management Division website for the complete document, which describes the proposal evaluation method, by using the following link:

www.tnlpr.gov

Disclaimer of Subjectivity:

Proposers should understand and accept that by responding to this solicitation they are willingly participating in a process that may consist of some degree of subjectivity. Proposers should be aware that the proposal determined to best meet the needs of the State may not necessarily be the lowest cost proposal.

SCHEDULE 1: Space Needs Analysis

Department of Children's Services

Space Needs Analysis Report
 SNA Number: 35910-56-01
 Agency: Children's Services
 County: MACON City: Lafayette
 Employees: 10

Prepared By: FMG
 Checked By:

SNA Date: 03-17-2020

Area Needed: 1,951
 Major Circulation: 50% 976
 Total Net Usable Needed: 2,927

SNA Note: AWS project. Report completed with information supplied and approved by Rachel. 2

Space Type	Standard Description	Wall	Area	Count	Memo
P	79188 Case Manager	None	0	9	CPS. Case Manager 1, 2, and 3 positions. Mobile. Space included in Free Address area. Positions will use Free Address area when in office.
P	00000 Case Manager 4	0	49	1	
S	BR Break Room	H	120	1	With base cabinets, wall cabinets, countertop and sink.
S	CSSR Childrens Storage/Supply Room	H	120	1	
S	CR Conference Room	H	250	1	Seating for 15.
S	DTR Drug Testing Room	H	100	1	With water closet, countertop and sink.
S	E Enclave	H	120	1	
S	FA File Area	0	88	1	Includes space for 11 - Lateral File Cabinets that will be located in wide hallways. Used by Free Address staff.
S	FAH Free Address Hoteling	0	30	2	
S	FAH Free Address Hoteling	0	49	2	
S	FAH Free Address Hoteling	0	25	4	
S	FAO Free Address Office	H	120	1	
S	MA Mail Area	0	30	1	
S	MFP Multi-Function Printer	0	50	1	
S	MP Multi-Purpose	H	120	1	
S	PL Personal Lockers	0	32	1	Space for 2 - Locker Units. Each unit will contain 6 individual lockers. Centrally located where needed. For use by free address staff.
S	RB Recycle Bin	0	6	1	
S	SRC Shared Reception Cubical	0	49	1	Staff share the Client Reception responsibilities and will use this space when serving clients in the waiting room.
S	SB Shredder Bin	0	6	1	

Printed On 3/17/2020

Page 1 of 2

SNA Number: 35910-56-01

Space Type	Standard Description	Wall	Area	Count	Memo
S	TC Telecom. Closet	H	48	1	For telephone and computer equipment. Room must be temperature controlled.
S	VR Viewing Room	H	55	1	With one-way glass window and mini-blinds for viewing into visitation room.
S	VR Visitation Room	H	130	1	
S	WR Waiting Room	H	200	1	Seating for 10. With transaction countertop and pass-through window to shared reception cubical. Will need direct access to one - unisex single stall client restroom. Client and staff restrooms will be separate and will not share the same plumbing wall.

Suggested Range: Min. Max.
 Usable: 3,000 3,400
 Rentable: 3,400 3,800

Department of Human Services

Space Needs Analysis Report

SNA Number: 34501-56-01

Agency: Human Services

County: MACON City: Lafayette

Employees: 17

SNA Date: 04-08-2020

Prepared By: FMG

Checked By:

Area Needed: 2,679

Major Circulation: 50% 1,340

Total Net Usable Needed: 4,019

SNA Note: AWS project. Report completed per information approved and supplied by Rachel. 2

Space Type	Standard	Description	Wall	Area	Count	Memo
P	00000	Admin. Assistant	0	49	1	
P	00000	Admin. Secretary	None	0	1	Mobile. Space provided in Free Address area. Position will use Free Address area when in office.
P	00000	APS	None	0	1	Mobile. Space provided in Free Address area. Position will use Free Address area when in office.
P	06116	Eligibility Assistant	0	60	2	Reception
P	06116	Eligibility Assistant	0	49	1	
P	00000	Eligibility Counselor	0	49	4	
P	79622	Eligibility Counselor	None	0	3	Mobile. Space provided in Free Address area. Positions will use Free Address area when in office.
P	00000	Field Managing Director 1	None	0	1	Mobile. Space provided in Free Address area. Position will use Free Address Office when in office.
P	00000	Field Managing Director 3	H	120	1	
P	79681	Field Supervisor	None	0	1	Mobile. Space provided in Free Address area. Position will use Free Address area when in office.
P	00000	Voc. Rehab	None	0	1	Mobile. Space provided in Free Address area. Position will use Free Address area when in office.
S	BR	Break Room	H	150	1	With base and wall cabinets, countertop with sink.
S	CR	Conference Room	H	400	1	Seating for 25.
S	E	Enclave	H	120	2	
S	FAH	Free Address Hoteling	0	49	4	
S	FAH	Free Address Hoteling	0	30	2	
S	FAL	Free Address Lockers	0	32	1	Space for 2 - locker units. Each unit contains 6 - lockers per unit. Used by free address staff.
S	FAO	Free Address Office	H	120	1	
S	MA	Mail Area	0	36	1	
S	MFP	Multi-Function Printer	0	50	3	

Printed On 4/8/2020

Page 1 of 2

SNA Number: 34501-56-01

Space Type	Standard	Description	Wall	Area	Count	Memo
S	OCA	Open Collaborative	0	85	1	
S	PSB	Paper Shredder Bin	0	6	1	
S	RB	Recycle Bin	0	6	1	
S	SNP	Shared Network Printers	0	12	2	
S	SS	Supplemental Space	0	72	1	Space for 9 - Lateral File Cabinets. Located in wide hallways.
S	SR	Supply Room	H	100	1	Includes Locking FTI File.
S	TC	Telephone Closet	H	48	1	For telephone and computer equipment. Room must be temperature controlled.
S	WR	Waiting Room	H	420	1	Space for 12 chairs, Security check-in (80 sq.ft.), Public computer (50 sq.ft.) and Public Printer (50 sq.ft.) areas. With transaction countertops and pass-thru windows to 2 - Eligibility Assistants. Will require direct access to client restroom.

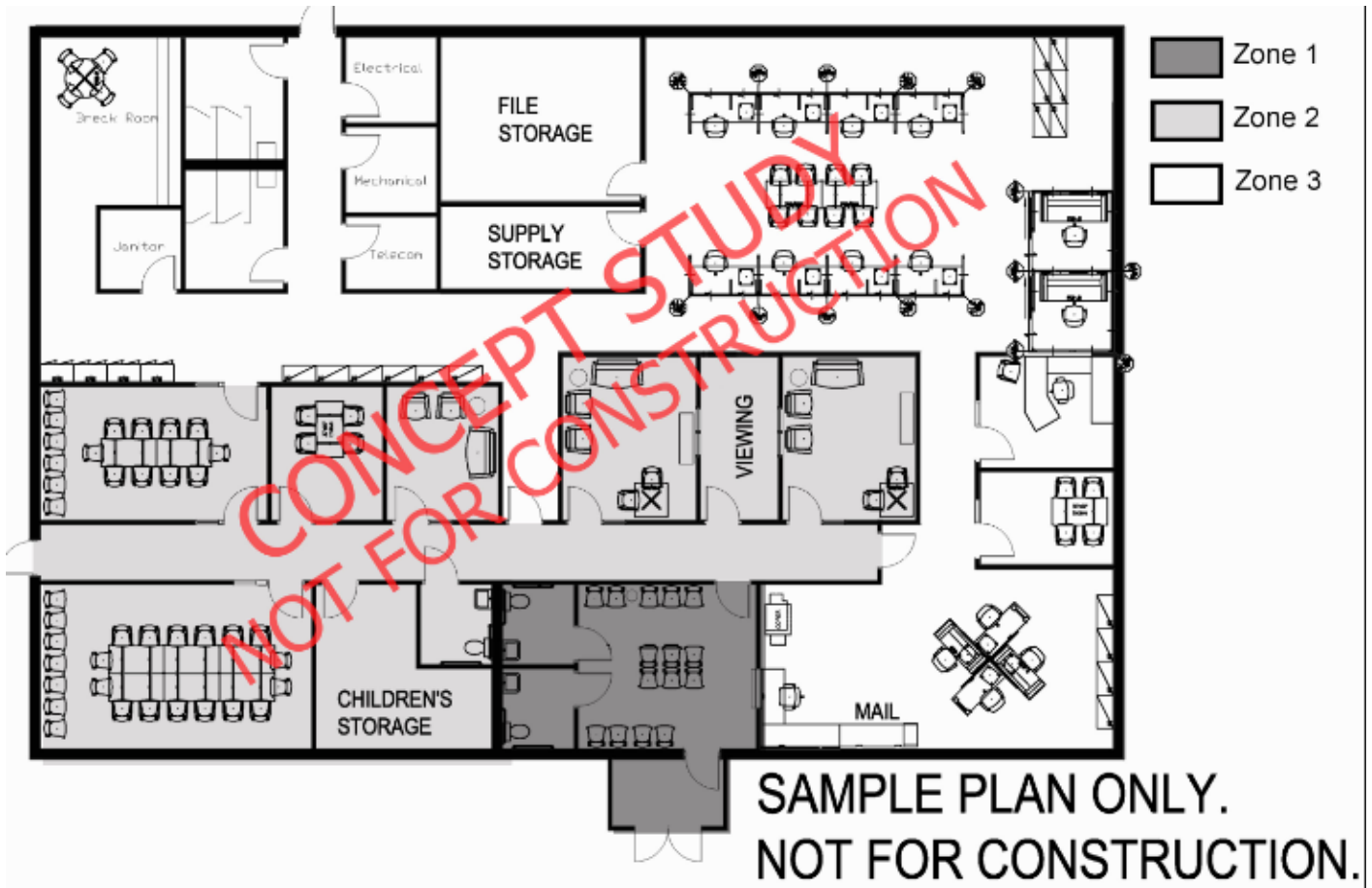
Suggested Range:	Min.	Max.
Usable:	4,000	4,500
Rentable:	4,500	5,000

SCHEDULE 2: DHS & DCS Concept Plans (Not For Construction)

DHS



DCS



SCHEDULE 3: DCS and DHS Space Summary Sheet

DCS



DCS Macon County Space Summary Sheet

Staff Counts – Total Staff: 10

- Case Manager 1 – 1 FA100
- Case Manager 2 – 7 FA70
- Case Manager 3 non Super – 1 FA70
- Case Manager 4 – 1

Parking Totals
Public: 19
Staff: 8
State Vehicles: 1
Total: 28

Zone One (Public Zone) – refer to sample plan for zone locations; secure access to other zones from zone one.

Hard Wall Spaces

1. Waiting Room (200 sf) – seating for 10 people
2. Accessible Public Restroom (Client and Staff restrooms will be separate and will not share the same plumbing wall; shall be equipped with diaper changing station, preferably wall mounted, with adequate wall reinforcement. Quantity determined by plumbing code requirements.
3. Front Desk Receptionist Window opens to Zone One (60sf) – 1 total

Zone Two (Intermediate Zone) – refer to sample plan for zone locations

Hard Wall Spaces

1. Drug Testing Restroom (100sf) (includes lockable wall or base cabinet for supply storage) – 1
2. Visitation Rooms (130sf) – 1
3. Viewing Room (55sf) (with one-way glass windows and light switch in room)
4. Multi-purpose Rooms (120sf) - 1
5. Conference Room (250 sf) seating for 15 people, do not have to be around table – 1

(Secure corridor required in this zone; Secure access to Zone Three from here)



Zone Three (Staff Zone) – refer to sample plan for zone locations

Hard Wall Spaces

1. Free Address Office (120sf) – 1
2. Enclaves (120sf) – 1
3. Break Room (120 sf) (sized for 4 people)
(refer to lease for exact requirements in break room)
6. Children’s Storage & Supply Room (120 sf)
(shelving 24” deep for children’s storage)
(shelving 12”-15” deep for office supplies)
4. Telecom Room (48sf) (room must be secure and temperature controlled)
5. Accessible Staff Restrooms (Client and Staff restrooms will be separate and will not share a plumbing wall)

Open Office (systems furniture)

1. Assigned Workstation (49sf) – 1*
Case Manager 4 - 1
2. Quiet Free Address Workstations – 8*
Quiet Workstation (49 sf) – 2
Quiet Workstation (30 sf) – 2
Quiet Pinwheel (25 sf) - 4
3. Locker Units (32sf) - 2
4. Lateral File Cabinets in Open Area (88sf) – 11
5. Mail Area (30sf) – 1
6. Multi-Function Copier Area (50sf) –1
7. Recycle Bin (6sf) – 1
8. Shredder Bin (6sf) - 1

General Notes

1. Visitation room, viewing room, and enclave doors shall have passage hardware. Large conference room doors shall have keyed locks. Drug testing room door shall have locking hardware with “emergency lock-out” feature, that allows employees to gain access to a room when a client may have locked themselves inside, whether accidentally or intentionally. This does not apply to secure rooms such as hardwall offices, file and storage rooms, or large meeting rooms.
2. Agency expense items include any needed convex mirrors in the waiting room, card readers and associated electric strike, panic hardware on lobby doors, and wi-fi throughout the space.

*See Workstation Legend below

Workstation Legend	
25sf Quiet	Pin Wheels, 24x60 Hoteling
30sf Quiet	30x72 Hoteling
49sf Quiet Or Assigned	Full Size Stations, Glass Front cubicle
Collaborative Open Area	Enclave table with 4 chairs, Worksurface on top of storage with 4 stools

DHS



DHS Macon County Summary Sheet

Staff Counts – Total Staff 17

- Eligibility Counselor 1 – 1
- Eligibility Counselor 2 – 2
- Eligibility Counselor 2 – 4 (FA)
- Field Supervisor 1 – 1 (FA)
- APS – 1 (FA)
- Voc Rehab – 1 (FA)
- Eligibility Assistant – 3
- Admin Sec – 1 (FA)
- Admin Assistant – 1
- Field Managing Director 1 – 1 (FA)
- Field Managing Director 3 – 1

Zone One (Public Zone) – refer to sample plan for zone locations

Hard Wall Spaces

1. Waiting Room (240 sf)– seating for 12 people
 - Security Check In (80 sf)
 - Public computer access (50 sf)
 - Public printer access (50 sf)
 - Staff/Client Window Bays (60 sf each) – 2 total
 - Eligibility Assistant – (2)
2. Accessible Public Restrooms – quantity determined by plumbing code requirements (Client and Staff restrooms will be separate and will not share a plumbing wall)
3. Conference Room –(400 sf) seating for 25 people, do not have to be around table
(Access to conference room from both zones required – refer to sample plan)

(Secure access to Zone Two from here)



Zone Two (Intermediate/Staff Zone) – refer to sample plan for zone locations

Hard Wall Spaces	Open Office (systems furniture)
1. Assigned Office (120sf) – 1 Field Managing Director 3 (1)	1. Assigned Workstation (49sf)** (sees clients)–4 Eligibility Counselor 1 (1) Eligibility Counselor 2 (3)
2. Free Address Office (120sf) – 1 Field Managing Director 1 to use when present	2. Assigned Workstation (49sf)* – 2 Admin Assistant (1) Eligibility Assistant (1)
3. Enclaves (120sf) – 2	3. Quiet Free Address Workstations (49sf** - sees clients) – 4 Eligibility Counselor 2 (3 staff) Voc Rehab (1 staff) APS (1 staff)
4. Break Room (150 sf) (seating for 5) (refer to lease for exact requirements in break room)	4. Quiet Free Address Workstations (30sf*) – 2 Field Supervisor (1 staff) Admin. Secretary (1 staff)
5. Locking FTI File/Supply Storage Room (100sf)	5. Open Collaborative Area (85sf)* Table with access to wall power - 1
6. Telecom Room (48sf) (room must be temperature controlled)	6. Mail Area (36sf) – 1
7. Accessible Staff Restrooms (Client and Staff restrooms will be separate and will not share a plumbing wall)	7. Multi-Function Print Area (50sf) – 3
	8. Shared Network Printer (12 sf) – 2
	9. Recycle Bin (6sf) – 1
	10. Shredder Bin (6sf) – 1
	11. Locker Units (32 sf) - 2
	12. Lateral File Cabinets in Open Area (72 sf) - 9

*See Workstation Legend below

** Workstations that see clients/may see clients should be grouped together and separated from the other workstations if possible (refer to sample plan)

Workstation Legend	
25sf Quiet Or Collaborative^	Pin Wheels, 24x60 Hoteling

30sf Quiet Or Collaborative^	30x72 Hoteling
49sf Quiet Or Assigned	Full Size Stations, Glass Front cubicle
Collaborative Open Area	Enclave table with 4 chairs, Tablet arm lounge chairs, Worksurface on top of storage with 4 stools

^Quiet or Collaborative function determined by panel height

Schedule 4: Exhibit D

State Specifications for DHS & DCS

GENERAL SPECIFICATIONS

1. General

- a. The Leased Premises, including all common areas and points of ingress and egress, shall be designed and maintained to meet all applicable code requirements for commercial office building construction, including the requirements of the Americans with Disabilities Act.
- b. The Leased Premises shall have a current occupancy permit issued by the local jurisdiction at the time of Tenant's occupancy.

2. Site

- a. The site shall be fully graded, landscaped and maintained in a manner commensurate with market for comparable properties of the same property type and class as the Leased Premises.

3. Structure

- a. Space above ceilings must allow sufficient clearance for ease of installation of Tenant's mechanical and electrical equipment, including but not limited to distribution ductwork, HVAC boxes, lighting and conduit.
- b. The building foundation and below-grade spaces shall be protected with a properly installed foundation drainage and waterproofing system.

4. Building Skin and Roof

- a. The building skin and roof will be complete and weather-tight including all exterior finish materials, cladding, sealants, glass and glazing including vision and spandrel glass, store front glass, exterior doors and hardware, membrane or built-up roofing, ballast, flashing, and other elements required to make the building weather-tight.

5. Building Common Areas

- a. The building entrance lobby, common corridors, restrooms, mechanical spaces, loading dock, trash removal spaces, and other common areas will be substantially complete.
- b. Restrooms shall be complete with all fixtures, partitions, accessories, lavatories, lavatory tops, and mirrors. Fixtures, partitions, and accessories shall be institution grade or better, and shall be water saving type, as appropriate. The finishes in restrooms shall be commensurate with market for comparable properties of the same property type and class as the Leased Premises.

6. Common Walls

- a. Common walls shall include slab-to-slab gypsum wallboard on the public side of all demising walls, corridors, stairwells, and other walls not interior to the Tenant space. All common walls shall be taped, blocked, finished and sanded. Landlord will install sound attenuation insulation on Tenant side of Common Walls and demising walls prior to Tenant finishes being installed.
- b. Common walls shall include entry and exit doors from common areas furnished and installed by Landlord. Doors and hardware shall be building standard or better.

7. Electrical

- a. Landlord shall provide a minimum of 7 watts per square foot for lighting and power.
- b. Landlord shall install all main switchboards, panel boards, distribution boards, transformer, bus duct, feeders and other equipment to completely distribute power to electrical closets on each floor in the Leased Premises. Landlord shall locate an electrical service panel in the electrical closet in the Common Area on the same floor as the Leased Premises. Installation of electrical service up to and including the Tenant's service panel(s) shall be a base building cost.
- c. Landlord shall install all wiring, branch circuiting, conduit and devices for the complete electrical system to all public and common areas. Landlord shall provide at Landlord's expense all power wiring and connection for all mechanical equipment furnished as part of base building. Landlord shall provide at Landlord's expense all power wiring to life safety and fire protection systems.

8. Communications

- a. Landlord shall bring data/telephone service, as provided by the local data/telephone operating company, to the building Main Telephone Room.

9. Lighting

- a. Landlord shall furnish and install lights in all common areas.
- b. Building lighting levels must meet a minimum of 30 foot-candles at the desk and 20 foot-candles in corridors providing ingress and egress to the Leased Premises. Base building shall include a lighting level of at least 10 foot-candles or minimum levels to insure safety in other interior areas as set by the current version of the Illuminating Engineering Society of North America (IESNA).

10. Plumbing

- a. Plumbing tie-ins shall be provided for State's use for break room or other functions required by the Permitted Use.

11. HVAC

- a. Building common areas shall include heating, ventilation, and air conditioning systems in accordance compliance with current ASHRAE standards.
- b. All HVAC for the Leased Premises shall be installed with complete distribution to ceiling mounted diffusers and perimeter slot diffusers for exterior zones and distribution to VAV boxes for interior zones.

12. Building Directory

- a. If the Building has multiple tenants, Landlord shall provide a directory in the lobby of the Building.
- b. Landlord shall add Tenant's name to directory, and shall provide Tenant suite signage (suite entry door plaque or hall plaque, matching building graphics standards).

13. Keys

- a. Landlord shall supply Tenant with five (5) sets of keys at no cost. Additional keys shall be provided at Tenant's request at a reasonable cost. Keys should allow access to the Leased Premises, parking areas and other common areas of the Property.

14. Access Control

- a. Landlord shall provide new locks on all exterior doors and doors into common areas.

- b. Tenant may install card access to the Leased Premises at suite entry locations, fire stairs with access into the Leased Premises and interior doors within the Leased Premises compatible with the base building security system.
- c. Provide heavy-duty cylindrical hardware within suite and heavy duty mortised lockset at suite entry doors.
- d. Provide locksets on the following doors: offices, enclaves, communication rooms, utility rooms, storage/file rooms, network rooms.

INTERIOR BUILDOUT SPECIFICATIONS

1. Ceiling

- a. Existing ceiling tile and grid shall remain if these materials meet the Minimum Qualification Specification (Section e below) and are in good and attractive condition. Patch and repair grid as needed to accommodate demolition of walls. Replace any damaged or discolored tiles to match existing.
- b. Existing lighting shall be cleaned and re-lamped after construction. All lamps shall be the same color temperature. Coordinate the appropriate lamp color with the State.
- c. Provide 15'-20' whip at all above-ceiling junction boxes for power pole connections.
- d. Minimum ceiling heights shall be a minimum of 8 feet and be proportionate to the open area floor plate size.
- e. Acoustical Panel Ceiling Minimum Qualification Specifications:
- f. General Ceiling
 - i. Acoustical Panel Standard: Comply with ASTM E 1264.
 - ii. Metal Suspension System Standard: Comply with ASTM C 635.
 - iii. Attachment Devices: Size for five times the design load indicated in ASTM C 635, Table 1, "Direct Hung," Comply with seismic design requirements.
- g. Acoustical Panels
 - i. Color: White.
 - ii. LR: Minimum of 0.83.
 - iii. NRC: Minimum of 0.60, Type E-400 mounting according to ASTM E 795.
 - iv. CAC: Minimum of 33.
 - v. Modular Size: 24 by 24 inches (610 by 610 mm) or 24 by 48 inches (610 by 1220 mm).

2. Electrical and Communication

- a. Provide and install conduit, conductors, pull wires, boxes, cover plates, devices, etc., for all outlets as required by the Build Out Plans. All devices shall be a consistent color.
- b. Contractor shall be responsible for all coordination and final electrical connections for furniture (systems furniture, conference/training tables, etc.). Coordinate with State for specifics on wiring configurations. For general planning purposes, provide 1 circuit per every 2 standard workstations as required by the Build Out Plans.
- c. Provide 1 voice/data per standard workstation as required by the Build Out Plans.
- d. Provide 2 duplex power outlets and 1 voice/data per standard office as required by the Build Out Plans.

- e. Provide 2 duplex power outlets and 1 voice/data per enclave as required by the Build Out Plans.
- f. At minimum, all enclosed rooms (such as storage and file rooms) to have (2) convenience duplex power outlets as required by the Build Out Plans.
- g. Lighting and controls shall be properly zoned. Separate light switches for hardwall spaces shall be provided as required by the Build Out Plans.

3. Partitions

- a. All existing perimeter sill walls and core walls throughout space shall be freshly painted in an eggshell or satin paint finish.
- b. All new partitions to be 5/8" drywall and 3 5/8" metal studs with sound attenuation blankets inside the partition. Additional sound blankets to be provided above partitions on ceiling tile, 2'-0" on either side of all new or existing partitions not extending to the deck.
- c. Partitions around all new conference rooms, training rooms, break rooms, meeting rooms, and restrooms, shall extend to the deck. Sound attenuation blankets shall be provided inside the partition, seal all penetrations within partitions including power/data boxes and at the connection of the partition to the deck.
- d. Connections from partition to mullion will require an acoustically sealed connection.
- e. Finish partitions completely to floor.

4. Glazing

- a. All office, enclave, break room, and conference room front walls shall have a 3'-0" wide sidelite with ¼" clear tempered glass in 2" welded hollow metal frame with a solid core door (match building standard), and etched film on 3'-0"w full height sidelights. Framing for glass sidelights and windows shall be integral with doorframes and not separated by drywall.

5. Doors and Frames

- a. Interior doors shall match building standard height and finish; at a minimum, all doors shall be solid core, 7'-0" in height.
- b. Interior doorframes shall be 2" welded hollow metal steel, painted.
- c. All hardware shall match existing building standard finish. At a minimum, all hardware shall be lever handle. All doors shall include the following: doorstops, silencers, lever hardware, mortised ball bearing hinges. All office doors shall include a coat hook. In addition, pairs of doors shall include the following as determined by function: dummy trim, closer coordinators, flush bolts, dust proof strikes, ball catch (as required).
- d. All main entrance public access doors shall be metal frame glass storefront entrance type with double-pane glass. Exterior exit doors shall be metal framed with insulated flush type metal door. All exterior doors must be equipped with commercial grade closers and hardware.

6. Finishes

- a. Doors, frames, hardware, ceiling tile and grid and lights shall be reused if approved by the State.
- b. Carpet shall be modular tiles laid with low VOC adhesives. Carpet shall generally be laid in a monolithic, ashlar or brick laid pattern. Carpet shall not be laid in a quarter turn pattern unless noted specifically.
- c. Carpet must meet the following minimum qualification specifications:
 - i. Products: All manufacturers to provide modular tile products as specified below and in addition

to meeting the minimum requirements.

- ii. Commercial Face Fibers: High performance premium branded Nylon required to be third party certified post-consumer recyclable and defined as a commercial grade nylon fiber from a carpet or fiber manufacturer nationally recognized by the flooring industry; the nylon fiber shall have a documented five (5) year minimum successful testing period; Note: OLEFIN FIBER IS NOT ACCEPTABLE.
 - iii. Pile Characteristic: Level-loop, Cut-and-loop pile, Shear-and-loop pile.
 - iv. Density: Minimum rating of 5,000 or higher.
 - v. Stitches: Minimum of 9 stitches per inch.
 - vi. Gage: 1/12 inch minimum.
 - vii. Surface Pile Weight: Minimum 20 oz. per square yard.
 - viii. Dye System: Minimum of 50% solution dyed or yarn dyed (Type 6, Type 6,6 or proven equal).
 - ix. Backing System: Provide applicable backing system based on carpet type/brand selected.
 - x. Size: 24 by 24 inches (610 by 610 mm) or larger.
 - xi. Applied Soil-Resistance Treatment: Duratech, Protech, or equal (specify with proposal).
 - xii. Antimicrobial Treatment: Manufacturer's standard material according to AATCC174.
- d. Provide 4" coved rubber base in areas specified to receive new flooring. All base shall be continuous roll base (not 4' segments).
 - e. All walls to have one prime coat and 2 finish coats of eggshell or satin finish. Door and window frames shall have semi-gloss finish. Drywall ceilings shall have flat finish.
 - f. Where identified as laminate finish on casework, use color core laminates for exposed surfaces for doors, drawers, counter tops and splashes. The underside of all vertical laminate panels in wet areas shall receive a laminate or pvc edge to prevent water from wicking up through laminate panel substrates. Counters and splashes shall be thoroughly caulked to walls and countertops using clear silicone caulk.

7. Break Rooms

- a. Finishes: VCT floor tile in a floor pattern using 3 different colors, plastic laminate base and wall cabinets.
- b. Provide double bowl, under mount stainless steel sink with hot/cold water.
- c. Provide dedicated outlets for refrigerators, microwaves, and (2) coffee makers. Provide (3) standard wall duplex outlets at 42" AFF in kitchen area. Provide (2) additional wall outlets at other walls for convenience purposes.

8. Copy Rooms / Areas

- a. Finishes: VCT flooring, plastic laminate base and wall cabinets, plastic laminate countertop. Cabinetry shall be sufficient to meet the needs of the Tenant at its sole discretion.
- b. Provide (2) wall duplex outlets (one circuit) and (2) voice/data outlets at 42" AFF in work area.

9. Telecom Rooms

- a. Finishes: VCT flooring, 4" rubber base.
- b. Walls shall extend to deck; no lay-in ceiling.

- c. A minimum of a half-ton (5,000 BTU's) of cooling for coverage of equipment is required. Stand-alone mechanical unit is preferred. If stand-alone is not possible, then the space should be removed from the EMS and have VAV-type controls.
- d. Provide at least a 3" conduit from the interior telecom room or non-common space to an exterior right of way or utility easement for new service provider connection. Coordinate with service provider.
- e. Each telecom room should be a minimum of 8' x 10' in size, with one room per 15,000 square feet of usable space. Telecom rooms shall align vertically if in a multiple-floor facility.
- f. Doors to telecom rooms shall open out into the corridor, if possible. If this is not possible, then locate the door in an area with minimal clearance impact.
- g. Provide at least (2) dedicated quad outlets, 110 volt, 20 amp circuits, in addition to the normal service outlets.
- h. The State cabling contractor, at State's expense, shall install a grounding bus bar and place correctly-sized conductor back to the main panel for facility personnel to connect.
- i. Telecom rooms do not include space for building/energy automation/management, life safety controls, or security, audio, or CC/CATV systems.

10. Conference Rooms

- a. All conference rooms that seat (8) people or more shall have (2) power and voice/data outlets. Larger Conference rooms of greater than (18) people shall have (4) power and (2) voice/data outlets.
- b. Lighting switching shall provide flexibility for a variety of scene configurations for different presentations and meetings. Fixtures shall provide both ambient lighting to the table as well as accent wall wash lighting at the perimeter of the room.
- c. Coordinate placement of switches, AV screens, furniture, & doors so as to avoid conflicts when components are in use.

11. Restrooms

- a. All restrooms shall be equipped with liquid soap dispensers and mirrors, and either paper towel dispensers or hand blow dryers.
- b. Provide a floor drain in each restroom.

12. Janitor Closet

- a. Finishes: VCT flooring, 4" rubber base.
- b. Provide storage for equipment, materials, and supplies, in a minimum 25 sf room.
- c. Provide service sink with hot and cold water and a floor drain.

13. Building Interior

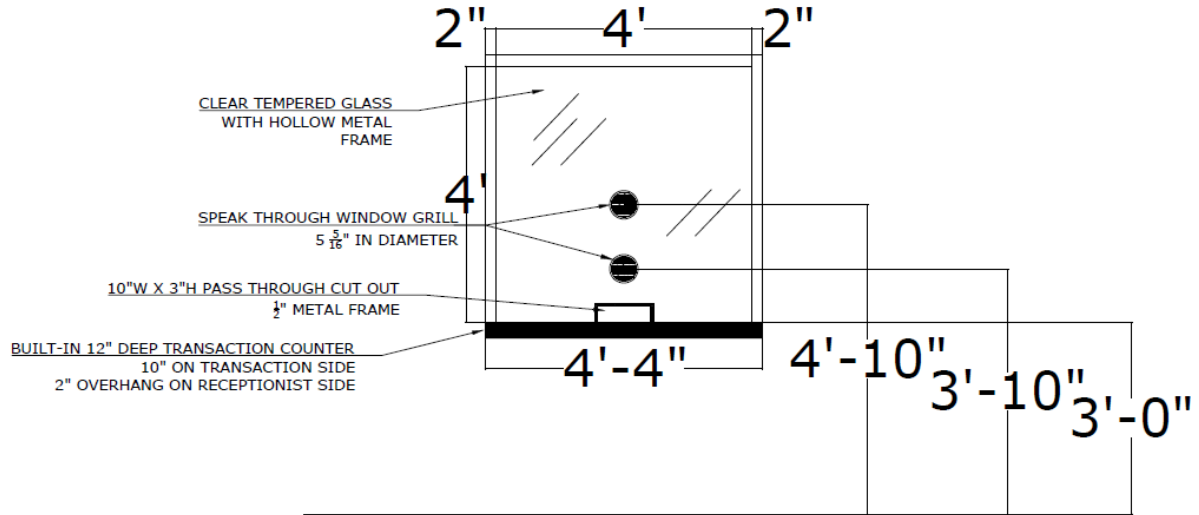
- a. Provide (accessible) chilled drinking fountains as per code requirements. If it is deemed necessary to replace existing or incorporate additional drinking fountains, equipment shall be able to accommodate a water bottle refill component.
- b. Provide evacuation maps and other interior signage as required and requested by the State. Coordinate locations with the State.

14. Building Exterior

- a. Provide exterior canopies at all building entrances and exits, as well as a vestibule/airlock at all public entrances.
- b. Provide exterior signage and dumpster access.

- c. Hard-surface exterior walkways shall be provided to connect all Building entrances and exits to on-site parking lots.

SCHEDULE 5: TRANSACTION WINDOW



A RECEPTION WINDOW TYP.

SCALE: 1/2" = 1'0"

SIGNER:
 AIL:
 LL:
 V1 YRMODAY
 IJED YRMODAY
 nsaction#

RECEPTION WINDOW TYP.
 AGENCY CONTACT INFO:
 AGENCY SIGN OFF/ DATE:
 ADDRESS:

NOT FOR CONSTRUCTION
 **NOTE: This space plan, including furniture layout, has been developed based on programming information and input from the State of Tennessee and is considered to be the design intent. The Architect of Record will utilize this information to develop complete construction documents in compliance with applicable codes and regulations.

STATE OF TENNESSEE
 DEPT. OF GENERAL SERVICES
 STREAM
 WRS Tennessee Tower, 24th
 312 Rosa L. Parks Ave
 Nashville, Tennessee 37243

