

**LEASING PROPOSAL REQUEST**

<b>Agency, Office Name</b>	Department of Human Services (DHS)
<b>Principal Use Office/Warehouse/Other</b>	Office
<b>Employee Headcount at Premises</b>	DHS - 64 Staff *not relevant to staff parking requirement
<b>Transaction Number</b>	DHS - TR #20-07-928

	Desired	Alternates Accepted
<b>Service Area and Boundary Requirements</b>	Within Putnam County with a preference for Cookeville city limits, as the majority of the agency's clientele reside within the city. This office provides services to the public, the preferred location will be obvious from a public road, include ease of access and identifiable exterior signage. Preference may be given to locations not located within 1,000 feet from the department of Correction or Probation facility.	<b>NO</b>
<b>Parking Requirements</b>	DHS requires parking spaces to accommodate 64 staff and 37 clients; for a minimum of 101 spaces.  The parking provided shall include handicap parking to meet the relevant code requirements.  All parking spaces must be free, safe, secure, lighted, paved and striped.	<b>NO</b>
<b>Usable &amp; Rentable Contiguous Square Footage</b>	<u>12,600 - 13,900</u> USF * <u>13,900 - 15,200</u> RSF  *Usable square footage does not include restrooms, mechanical rooms, janitorial closets, telecom closets or vestibules.  The State intends "contiguous" to mean space that is adjacent including floors below or above. The actual square footage will be determined by programming and space planning.	<b>YES</b>

	<b>Proposals with square footage having a 10% deviation (up or down) will be considered an alternate, however, the deviation on useable square footage must not fall below the minimum useable square footage range</b>	
<b>Special Buildout and Other Specifications</b>	<p>Turnkey buildout in accordance and in conjunction with Schedule 1, 2 and 3 and Pro Forma Lease Template including Exhibit D. All final design work is subject to State and Agency approval after the lease is executed.</p> <p>Building must include 24 hour access, appropriate HVAC, and other applicable building mechanics as appropriate for business operation.</p> <p>Schedule 1: DHS Space Needs Analysis  Schedule 2: DHS Concept Plan (not for construction)  Schedule 3: DHS Space Summary Sheet  Schedule 4: DHS Lease Exhibit D  Schedule 5: DHS Transaction Window</p>	<b>NO</b>
<b>Term Length</b>	Ten (10) year term with one (1) renewal option of one (1) year.	<b>NO</b>
<b>Commencement Date</b>	Estimated to be within 24 months of lease execution, pursuant to Pro Forma Lease, Sections 19 and 20.	<b>NO</b>
<b>Termination Options</b>	<p>Termination for Convenience: 90 day per Block 6 of the Lease</p> <p>Termination for Cause: see Lease – Exhibit A, Paragraph 5.</p>	<b>YES</b>
<b>Terms and Conditions</b>	<p>As set forth in Pro Forma Lease. A copy of the Pro Forma lease form can be found by visiting <a href="http://www.tn/pr.gov">www.tn/pr.gov</a>.</p> <p><b>Comments to the Lease Template are required with the submission of the Lease Proposal Quotation Form.</b></p>	<b>NO</b>
<b>Utility, Services and Other Costs</b>	Proposals can be quoted as either FULL SERVICE with no pass throughs or MODIFIED GROSS basis with Tenant responsible for payment of utilities and janitorial supplies and services only.	<b>NO</b>

**Communications:**

Interested parties must direct all communications regarding this procurement to the **Ellen Mims**, Leasing Co-ordinator who is the State's official point of contact. Email is the preferred form of communication.

Name: Ellen Mims, Leasing Coordinator

Phone Number: 615-961-0067

Email: [RFP.Coordinator@tn.gov](mailto:RFP.Coordinator@tn.gov)

**Submittal Deadline and Format:**

The completed "Lease Proposal Form" must be submitted as follows no later than the close of business **(2:30 PM) Central Time (CT) Monday, April 3, 2023.**

Submittals must be received via either:

Email: [RFP.Coordinator@tn.gov](mailto:RFP.Coordinator@tn.gov)

Or

Printed copy to:

Department of General Services/STREAM

Attn: **Loretta Marie Baltz – Manager of Lease Administration**

William R. Snodgrass Tennessee Tower **24<sup>th</sup> Floor**

312 Rosa L. Parks Avenue, Nashville, TN 37243

**Method of Evaluation:**

Please refer to the State of Tennessee Real Estate Asset Management Division website for the complete document, which describes the proposal evaluation method, by using the following link:

[www.tnlpr.gov](http://www.tnlpr.gov)

**Disclaimer of Subjectivity:**

Proposers should understand and accept that by responding to this solicitation they are willingly participating in a process that may consist of some degree of subjectivity. Proposers should be aware that the proposal determined to best meet the needs of the State may not necessarily be the lowest

### Schedule 1: DHS Space Needs Analysis

Space Needs Analysis Report  
 SNA Number: 34501-71-01  
 Agency: Human Services  
 County: PUTNAM City: Cookeville  
 Employees: 64

Prepared By: FMG  
 Checked By:

SNA Date: 11-18-2022

Area Needed: 8,361  
 Major Circulation: 50% 4,181  
 Total Net Usable Needed: 12,542

SNA Note: AWS project. Report completed per information supplied and approved by Rachel. Refer to Summary Sheet for additional information. 2

Space Type	Standard	Description	Wall	Area	Count	Memo
P	00000	Admin. Secretary	0	49	1	
P	00000	Child Care Specialist	None	0	1	Free Address. Position will use Free Address area when in office.
P	00000	Client Reps	None	0	1	Free Address. Position will use Free Address area when in office.
P	00000	Contract Clerical	0	49	1	
P	00000	Contract Clerical	0	49	1	
P	00000	Eligibility Assistant	0	49	3	
P	00000	Eligibility Clerk	0	49	1	
P	00000	Eligibility Counselor	None	0	15	Free Address. Positions will use Free Address area when in office.
P	00000	Facilitator	None	0	1	Free Address. Position will use Free Address area when in office.
P	00000	Field Supervisor	0	49	3	
P	00000	Field Supervisor	None	0	1	Free Address. Position will use Free Address area when in office.
P	00000	FMD 1	0	49	1	
P	00000	FMD 1	None	0	1	Free Address. Positions will use Free Address Office when working from this location.
P	00000	HR Generalist	0	49	2	
P	00000	Investigative Specialist	None	0	2	Free Address. Positions will use Free Address area when in office.
P	00000	Licensing Consultant	None	0	6	Free Address. Positions will use Free Address area when in office.
P	00000	Program Coordinator	None	0	1	Free Address. Position will use Free Address area when in office.
P	00000	Program Coordinator	0	49	1	

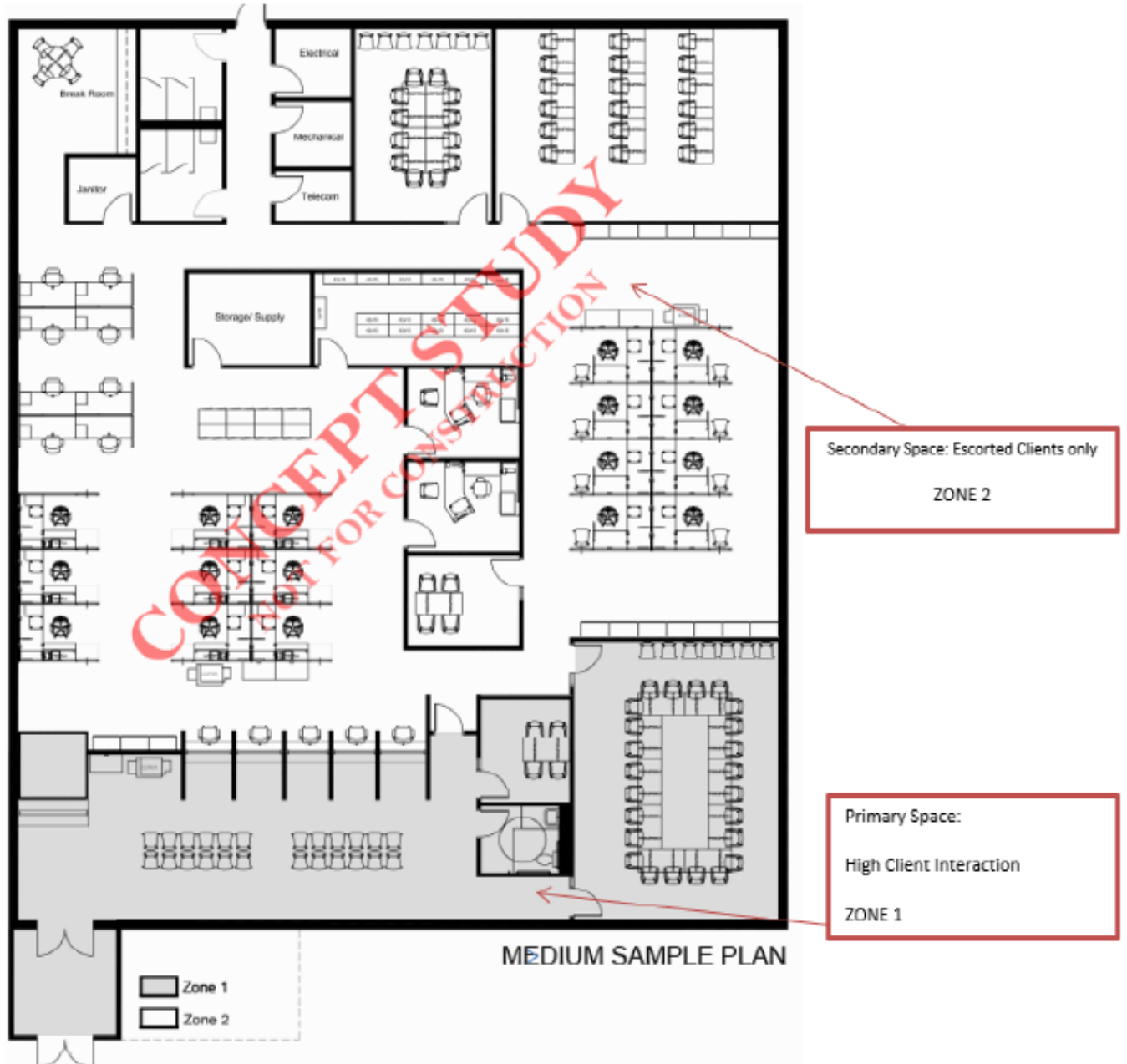
SNA Number: 34501-71-01

Space Type	Standard	Description	Wall	Area	Count	Memo
P	00000	Program Director	None	0	1	Free Address. Position will use Free Address Office when working from this location.
P	00000	Program Evaluator	None	0	5	Free Address. Positions will use Free Address area when in office.
P	00000	Program Supervisor	0	49	1	
P	00000	Program Supervisor	None	0	5	Free Address. Positions will use Free Address area when in office.
P	000000	QAR	None	0	1	Free Address. Position will use Free Address area when in office.
P	00000	Regional Supervisor	None	0	1	Free Address. Position will use Free Address area when in office.
P	00000	Secretary	0	49	1	
P	00000	STS	0	49	5	
P	00000	Team Coordinator	None	0	1	Free Address. Position will use Free Address area when in office.
S	BR	Break Room	H	360	1	
S	CA	Collaborative Area	0	85	2	
S	CR	Conference Room	H	475	2	
S	CR	Conference Room	H	2,250	1	
S	CPA	Copy/Print Area	0	50	3	
S	E	Enclave	H	120	6	
S	FR	File Room	H	340	1	
S	FAH	Free Address Hoteling	0	49	20	
S	FAO	Free Address Office	H	120	3	
S	MA	Mail Area	0	60	1	
S	PSB	Paper Shredder Bin	0	6	2	
S	PL	Personal Lockers	0	112	1	
S	RB	Recycle Bin	0	6	2	
S	SS	Supplemental Space	0	96	1	Space for 12 - Lateral File Cabinets
S	SR	Supply Room	H	120	1	
S	TC	Telecom. Closet	H	80	1	
S	WRL	Waiting Room Lobby	H	560	1	

Suggested Range:	Min.	Max.
Usable:	12,600	13,900
Rentable:	13,900	15,200

### Schedule 2: DHS Concept Plan

This is a concept plan to illustrate the security zones required for DHS. It should NOT be used to price construction but only to provide a “concept” of how DHS conduct business in the space.



**SCHEDULE 3:**

DHS Space Summary Sheet



**DHS Putnam County Space Summary Sheet**

**Staff Counts – Total Staff: 64**

- Admin Sec – 1
- FS – 3
- FS – 1 FA0%
- Elig. Assist – 3
- Elig. Clerk - 1
- Contract Clerical – 1
- Program Super. – 5 FA0%
- Program Super. – 1
- Secretary – 1
- Contract Clerical – 1
- Program Coord – 1
- STS – 5
- FMD1 – 1
- Client Rep – 1 FA0%
- EC2 – 15 FA0%
- Program Evaluator – 5 FA20%
- Program Director – 1 FA0%
- FMD1 – 1 FA0%
- Quality Assurance Reviewer - 1 FA10%
- Regional Supervisor – 1 FA10%
- Investigative Specialist – 2 FA20%
- Team Coordinator – 1 FA20%
- HR Generalist- 2
- Facilitator – 1 FA10%
- Program Coordinator – 1 FA10%
- DHS Child Care Specialist – 1 FA20%
- Licensing Consultant – 6 FA20-40%



### **Zone One (Public Zone) – refer to sample plan for zone locations**

#### Hard Wall Spaces

1. Lobby to include:
  - Waiting area seating (300 sf) – seating for 15 people
  - Security Check In (49sf) – 1
  - Sign-In Kiosk Station (20 sf each) – 2
  - Self-Service Stand-up Kiosk Station (20 sf each) – 2
  - TennCare Station (20 sf each) – 1
  - ADA Sit-down Computer Station (20 sf each) - 2
  - Public Use Multi-Function Copier Area (50sf) – 1
  - 3 Bulletin Boards w/ storage credenza (16 sf) – 1
  - Staff/Client Window Bays – 4 total
2. Accessible Public Restrooms – quantity determined by plumbing code requirements (Client and Staff restrooms will be separate and will not share a plumbing wall)  
(Secure access to Zone Two from here)

### **Zone Two (Intermediate/Staff Zone) – refer to sample plan for zone locations**

#### Hard Wall Spaces

1. Free Address Office (120sf) – 3
2. Enclaves (120sf) – 6
3. Conference Room (475 sf) – seating for 30 people, do not all have to be around table. -2
4. Conference Room (2250 sf) – table-based seating for 50; 25 additional side chairs - 1
5. Break Room (360 sf) (sized for 9 people)  
(refer to lease for exact requirements in break room)
6. Supply Storage Room (120sf) – 1
7. File Room (340 sf) – 1
8. Telecom Room (80sf) (room must be temperature controlled)
9. Accessible Staff Restrooms (Client and Staff restrooms will be separate and will not share a plumbing wall)

#### Open Office (systems furniture)

1. Reception Workstation (49sf) - 4
2. Assigned Workstation (49sf) – 16
3. Quiet Free Address Workstations (49sf-see clients) – 20  
Provides 50% coverage of Free Address Staff
4. Collaborative Open Area (85sf\*) (needs adjacent power/data)– 2
5. 7 Locker Units (112sf) - 1
6. 12 Lateral File Cabinets in Open Area (96sf)-1
7. Mail Area (60sf) – 1
8. Multi-Function Copier Area (50sf) –3
9. Recycle Bin (6sf) – 2
10. Shredder Bin (6sf) - 2



**SCHEDULE 4: LEASE EXHIBIT D****GENERAL SPECIFICATIONS****1. General**

- a. The Leased Premises, including all common areas and points of ingress and egress, shall be designed and maintained to meet all applicable code requirements for commercial office building construction, including the requirements of the Americans with Disabilities Act.
- b. The Leased Premises shall have a current occupancy permit issued by the local jurisdiction at the time of Tenant's occupancy.

**2. Site**

- a. The site shall be fully graded, landscaped and maintained in a manner comensurate with market for comparable properties of the same property type and class as the Leased Premises.

**3. Structure**

- a. Space above ceilings must allow sufficient clearance for ease of installation of Tenant's mechanical and electrical equipment, including but not limited to distribution ductwork, HVAC boxes, lighting and conduit.
- b. The building foundation and below-grade spaces shall be protected with a properly installed foundation drainage and waterproofing system.

**4. Building Skin and Roof**

- a. The building skin and roof will be complete and weather-tight including all exterior finish materials, cladding, sealants, glass and glazing including vision and spandrel glass, store front glass, exterior doors and hardware, membrane or built-up roofing, ballast, flashing, and other elements required to make the building weather-tight.

**5. Building Common Areas**

- a. The building entrance lobby, common corridors, restrooms, mechanical spaces, loading dock, trash removal spaces, and other common areas will be substantially complete.
- b. Restrooms shall be complete with all fixtures, partitions, accessories, lavatories, lavatory tops, and mirrors. Fixtures, partitions, and accessories shall be institution grade or better, and shall be water saving type, as appropriate. The finishes in restrooms shall be commensurate with market for comparable properties of the same property type and class as the Leased Premises.

**6. Common Walls**

- a. Common walls shall include slab-to-slab gypsum wallboard on the public side of all demising walls, corridors, stairwells, and other walls not interior to the Tenant space. All common walls shall be taped, blocked, finished and sanded. Landlord will install sound attenuation insulation on Tenant side of Common Walls and demising walls prior to Tenant finishes being installed.
- b. Common walls shall include entry and exit doors from common areas furnished and installed by Landlord. Doors and hardware shall be building standard or better.

**7. Electrical**

- a. Landlord shall provide a minimum of 7 watts per square foot for lighting and power.
- b. Landlord shall install all main switchboards, panel boards, distribution boards, transformer, bus duct, feeders and other equipment to completely distribute power to electrical closets on each floor in the Leased Premises. Landlord shall locate an electrical service panel in the electrical closet in the Common Area on the same floor as the Leased Premises. Installation of electrical service up to and including the Tenant's service panel(s) shall be a base building cost.
- c. Landlord shall install all wiring, branch circuiting, conduit and devices for the complete electrical system to all public and common areas. Landlord shall provide at Landlord's expense all power wiring and connection for all mechanical equipment furnished as part of base building. Landlord shall provide at Landlord's expense all power wiring to life safety and fire protection systems.

**8. Communications**

- a. Landlord shall bring BUSINESS data/telephone service, as provided by the local data/telephone operating company, to the building Main Telephone Room.

**9. Lighting**

- a. Landlord shall furnish and install lights in all common areas.
- b. Building lighting levels must meet a minimum of 30 foot-candles at the desk and 20 foot-candles in corridors providing ingress and egress to the Leased Premises. Base building shall include a lighting level of at least 10 foot-candles or minimum levels to insure safety in other interior areas as set by the current version of the Illuminating Engineering Society of North America (IESNA). All lighting fixtures should be cleaned at commencement and bulbs and ballasts in working order.

**10. Plumbing**

- a. Plumbing tie-ins shall be provided for State's use for break room or other functions required by the Permitted Use.

**11. HVAC**

- a. Building common areas shall include heating, ventilation, and air conditioning systems in accordance compliance with current ASHRAE standards.
- b. All HVAC for the Leased Premises shall be installed with complete distribution to ceiling mounted diffusers and perimeter slot diffusers for exterior zones and distribution to VAV boxes for interior zones.

**12. Building Directory**

- a. If the Building has multiple tenants, Landlord shall provide a directory in the lobby of the Building.
- b. Landlord shall add Tenant's name to directory, and shall provide Tenant suite signage (suite entry door plaque or hall plaque, matching building graphics standards).

**13. Keys**

- a. Landlord shall supply Tenant with five (5) sets of keys at no cost. Additional keys shall be provided at Tenant's request at a reasonable cost. Keys should allow access to the Leased Premises, parking areas and other common areas of the Property.

**14. Access Control**

- a. Landlord shall provide new locks on all exterior doors and doors into common areas.
- b. Tenant may install card access to the Leased Premises at suite entry locations, fire stairs with access into the Leased Premises and interior doors within the Leased Premises compatible with the base building security system. Landlord to provide required infrastructure (ie electricity for system).
- c. Tenant may install keypad, pursuant to Tenant requirements, to the Leased Premises at approved entry and exit of Leased Premises. Landlord to provide required infrastructure (ie electricity for system). Landlord is required to purchase keypad system, but provide backup invoices for Tenant reimbursement.
- d. Tenant may install cameras or other security-related systems, pursuant to Tenant requirements, for the Leased Premises. Landlord to provide required infrastructure (ie electricity for system).
- e. Provide heavy-duty cylindrical hardware within suite and heavy duty mortised lockset at suite entry doors.
- f. Provide locksets on the following doors: offices, enclaves, communication rooms, utility rooms, storage/file rooms, network rooms.

## **INTERIOR BUILDOUT SPECIFICATIONS**

### **1. Ceiling**

- a. Existing ceiling tile and grid shall remain if these materials meet the Minimum Qualification Specification (Section e below) and are in good and attractive condition. Patch and repair grid as needed to accommodate demolition of walls. Replace any damaged or discolored tiles to match existing.
- b. Existing lighting shall be cleaned and re-lamped after construction. All lamps shall be the same color temperature. Coordinate the appropriate lamp color with the State.
- c. Provide 15'-20' whip at all above-ceiling junction boxes for power pole connections.
- d. Minimum ceiling heights shall be a minimum of 8 feet and be proportionate to the open area floor plate size.
- e. Acoustical Panel Ceiling Minimum Qualification Specifications:
- f. General Ceiling
  - i. Acoustical Panel Standard: Comply with ASTM E 1264.
  - ii. Metal Suspension System Standard: Comply with ASTM C 635.
  - iii. Attachment Devices: Size for five times the design load indicated in ASTM C 635, Table 1, "Direct Hung," Comply with seismic design requirements.
- g. Acoustical Panels
  - i. Color: White.
  - ii. LR: Minimum of 0.83.
  - iii. NRC: Minimum of 0.60, Type E-400 mounting according to ASTM E 795.
  - iv. CAC: Minimum of 33.
  - v. Modular Size: 24 by 24 inches (610 by 610 mm) or 24 by 48 inches (610 by 1220 mm).

### **2. Electrical and Communication**

- a. Provide and install conduit, conductors, pull wires, boxes, cover plates, devices, etc., for all outlets as required by the Build Out Plans. All devices shall be a consistent color.
- b. Contractor shall be responsible for all coordination and final electrical connections for furniture (systems furniture, conference/training tables, etc.). Coordinate with State for specifics on wiring configurations. For general planning purposes, provide 1 circuit per every 2 standard workstations as required by the Build Out Plans.
- c. Provide 1 voice/data per standard workstation as required by the Build Out Plans.
- d. Provide 2 duplex power outlets and 1 voice/data per standard office as required by the Build Out Plans.
- e. Provide 2 duplex power outlets and 1 voice/data per enclave as required by the Build Out Plans.
- f. At minimum, all enclosed rooms (such as storage and file rooms) to have (2) convenience duplex power outlets as required by the Build Out Plans.
- g. Lighting and controls shall be properly zoned. Separate light switches for hardwall spaces shall be provided as required by the Build Out Plans.

### **3. Partitions**

- a. All existing perimeter sill walls and core walls throughout space shall be freshly painted in an eggshell or satin paint finish.
- b. All new partitions to be 5/8" drywall and 3 5/8" metal studs with sound attenuation blankets inside the partition. Additional sound blankets to be provided above partitions on ceiling tile, 2'-0" on either side of all new or existing partitions not extending to the deck.
- c. Partitions around all new conference rooms, training rooms, break rooms, meeting rooms, and restrooms, shall extend to the deck. Sound attenuation blankets shall be provided inside the partition, seal all penetrations within partitions including power/data boxes and at the connection of the partition to the deck.
- d. Connections from partition to mullion will require an acoustically sealed connection.
- e. Finish partitions completely to floor.

**4. Glazing**

- a. All office, enclave, break room, and conference room front walls shall have a 3'-0" wide sidelite with ¼" clear tempered glass in 2" welded hollow metal frame with a solid core door (match building standard), and etched film on 3'-0" w full height sidelights. Framing for glass sidelights and windows shall be integral with doorframes and not separated by drywall.

**5. Doors and Frames**

- a. Interior doors shall match building standard height and finish; at a minimum, all doors shall be solid core, 7'-0" in height.
- b. Interior doorframes shall be 2" welded hollow metal steel, painted.
- c. All hardware shall match existing building standard finish. At a minimum, all hardware shall be lever handle. All doors shall include the following: doorstops, silencers, lever hardware, mortised ball bearing hinges. All office doors shall include a coat hook. In addition, pairs of doors shall include the following as determined by function: dummy trim, closer coordinators, flush bolts, dust proof strikes, ball catch (as required).
- d. All main entrance public access doors shall be metal frame glass storefront entrance type with double-pane glass. Exterior exit doors shall be metal framed with insulated flush type metal door. All exterior doors must be equipped with commercial grade closers and hardware.

**6. Window Treatments**

- a. All exterior windows shall be equipped with inside mount aluminum horizontal mini-blinds of color and quality acceptable to the State. State may determine that repair or replacement, in part or entirety, of existing blinds is acceptable.

**7. Finishes**

- a. Doors, frames, hardware, ceiling tile and grid and lights shall be reused if approved by the State.
- b. Carpet shall be modular tiles laid with low VOC adhesives. Carpet shall generally be laid in a monolithic, ashlar or brick laid pattern. Carpet shall not be laid in a quarter turn pattern unless noted specifically. If not replaced, existing floors must be cleaned as appropriate prior to Commencement.
- c. Carpet must meet the following minimum qualification specifications:
  - i. Products: All manufacturers to provide modular tile products as specified below and in addition to meeting the minimum requirements.
  - ii. Commercial Face Fibers: High performance premium branded Nylon required to be third party certified post-consumer recyclable and defined as a commercial grade nylon fiber from a carpet or fiber manufacturer nationally recognized by the flooring industry; the nylon fiber shall have a documented five (5) year minimum successful testing period; Note: OLEFIN FIBER IS NOT ACCEPTABLE.
  - iii. Pile Characteristic: Level-loop, Cut-and-loop pile, Shear-and-loop pile.
  - iv. Density: Minimum rating of 5,000 or higher.
  - v. Stitches: Minimum of 9 stitches per inch.
  - vi. Gage: 1/12 inch minimum.
  - vii. Surface Pile Weight: Minimum 20 oz. per square yard.
  - viii. Dye System: Minimum of 50% solution dyed or yarn dyed (Type 6, Type 6,6 or proven equal).
  - ix. Backing System: Provide applicable backing system based on carpet type/brand selected.
  - x. Size: 24 by 24 inches (610 by 610 mm) or larger.
  - xi. Applied Soil-Resistance Treatment: Duratech, Protech, or equal (specify with proposal).
  - xii. Antimicrobial Treatment: Manufacturer's standard material according to AATCC174.
- d. Provide 4" coved rubber base in areas specified to receive new flooring. All base shall be continuous roll base (not 4' segments).
- e. All walls to have one prime coat and 2 finish coats of eggshell or satin finish. Door and window frames shall have semi-gloss finish. Drywall ceilings shall have flat finish. State may determine that only touch up is required. New paint may be required for short-term leases.
- f. Where identified as laminate finish on casework, use color core laminates for exposed surfaces for doors, drawers, counter tops and splashes. The underside of all vertical laminate panels in wet areas shall receive a laminate or pvc edge to prevent water from wicking up through laminate panel substrates. Counters and splashes shall be thoroughly caulked to walls and countertops using clear silicone caulk.

**8. Break Rooms**

- a. Finishes: VCT floor tile in a floor pattern using 3 different colors, plastic laminate base and wall cabinets. New floor tile must be waxed and sealed prior to Commencement. Upon State determination, if existing floor tile is not replaced, existing floor tile must be waxed and sealed prior to Commencement.

- b. Provide double bowl, under mount stainless steel sink with hot/cold water.
- c. Provide dedicated outlets for refrigerators, microwaves, and (2) coffee makers. Provide (3) standard wall duplex outlets at 42" AFF in kitchen area. Provide (2) additional wall outlets at other walls for convenience purposes.

#### 9. Copy Rooms / Areas

- a. Finishes: VCT flooring, plastic laminate base and wall cabinets, plastic laminate countertop. Cabinetry shall be sufficient to meet the needs of the Tenant at its sole discretion. New floor tile must be waxed and sealed prior to Commencement. Upon State determination, if existing floor tile is not replaced, existing floor tile must be waxed and sealed prior to Commencement.
- b. Provide (2) wall duplex outlets (one circuit) and (2) voice/data outlets at 42" AFF in work area.

#### 10. Telecom Rooms

- a. Finishes: VCT flooring, 4" rubber base. New floor tile must be waxed and sealed prior to Commencement. Upon State determination, if existing floor tile is not replaced, existing floor tile must be waxed and sealed prior to Commencement.
- b. Walls shall extend to deck; no lay-in ceiling.
- c. A minimum of a half-ton (5,000 BTU's) of cooling for coverage of equipment is required. Stand-alone mechanical unit is preferred. If stand-alone is not possible, then the space should be removed from the EMS and have VAV-type controls.
- d. Provide at least a 3" conduit from the interior telecom room or non-common space to an exterior right of way or utility easement for new service provider connection. Coordinate with service provider.
- e. Each telecom room should be a minimum of 8' x 10' in size, with one room per 15,000 square feet of usable space. Telecom rooms shall align vertically if in a multiple-floor facility.
- f. Doors to telecom rooms shall open out into the corridor, if possible. If this is not possible, then locate the door in an area with minimal clearance impact.
- g. Provide at least (2) dedicated quad outlets, 110 volt, 20 amp circuits, in addition to the normal service outlets.
- h. The State cabling contractor, at State's expense, shall install a grounding bus bar and place correctly-sized conductor back to the main panel for facility personnel to connect.
- i. Telecom rooms do not include space for building/energy automation/management, life safety controls, or security, audio, or CC/CATV systems.

#### 11. Conference Rooms

- a. All conference rooms that seat (8) people or more shall have (2) power and voice/data outlets. Larger Conference rooms of greater than (18) people shall have (4) power and (2) voice/data outlets.
- b. Lighting switching shall provide flexibility for a variety of scene configurations for different presentations and meetings. Fixtures shall provide both ambient lighting to the table as well as accent wall wash lighting at the perimeter of the room.
- c. Coordinate placement of switches, AV screens, furniture, & doors so as to avoid conflicts when components are in use.

#### 12. Restrooms

- a. Finishes: VCT flooring, 4" rubber base. New floor tile must be waxed and sealed prior to Commencement. Upon State determination, if existing floor tile is not replaced, existing floor tile must be waxed and sealed prior to Commencement.
- b. All restrooms shall be equipped with liquid soap dispensers and mirrors, and either paper towel dispensers or hand blow dryers.
- c. Provide a floor drain in each restroom.

#### 13. Janitor Closet

- a. Finishes: VCT flooring, 4" rubber base. New floor tile must be waxed and sealed prior to Commencement. Upon State determination, if existing floor tile is not replaced, existing floor tile must be waxed and sealed prior to Commencement.
- b. Provide storage for equipment, materials, and supplies, in a minimum 25 sf room.
- c. Provide service sink with hot and cold water and a floor drain.

#### 14. Building Interior

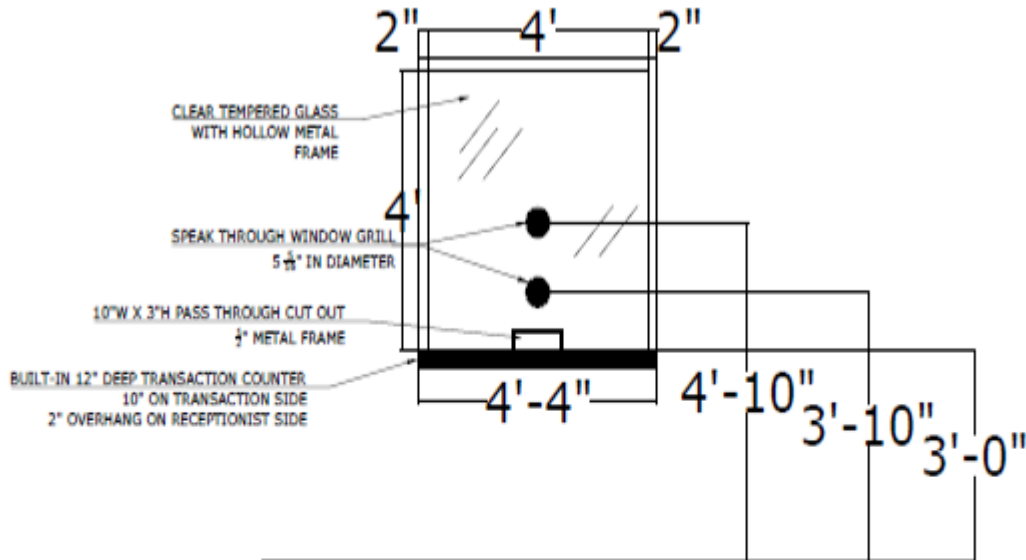
- a. Provide (accessible) chilled drinking fountains as per code requirements. If it is deemed necessary to replace existing or incorporate additional drinking fountains, equipment shall be able to accommodate a water bottle refill component.
- b. Provide evacuation maps and other interior signage as required and requested by the State. Coordinate locations with the State. May be required for short-term leases.

#### 15. Building Exterior

- a. Provide exterior canopies at all building entrances and exits, as well as a vestibule/airlock at all public entrances.
- b. Provide exterior signage and dumpster access. May be required for short-term leases.

- C. Hard-surface exterior walkways shall be provided to connect all Building entrances and exits to on-site parking lots or other hard-surfaced areas

**Schedule 5: DHS Transaction Window**



**A RECEPTION WINDOW TYP.**  
SCALE: 1/2"=1'0"

SIGNER:  
AL:  
JL:  
V1 YRMO DAY  
LSD YRMO DAY  
REVISION

**RECEPTION WINDOW TYP.**  
AGENCY CONTACT INFO:  
AGENCY SIGN OFF DATE:  
ADDRESS:

**NOT FOR CONSTRUCTION**  
\*\*NOTE: This space plan, including furniture layout, has been developed based on programming information and input from the State of Tennessee and is considered to be the design intent. The Architect of Record will utilize this information to develop complete construction documents, in compliance with applicable codes and regulations.

STATE OF TENNESSEE  
DEPT. OF GENERAL SERVICES  
STREAM  
WRS Tennessee Tower, 24th  
312 Rosa L. Parks Ave  
Nashville, Tennessee 37243



