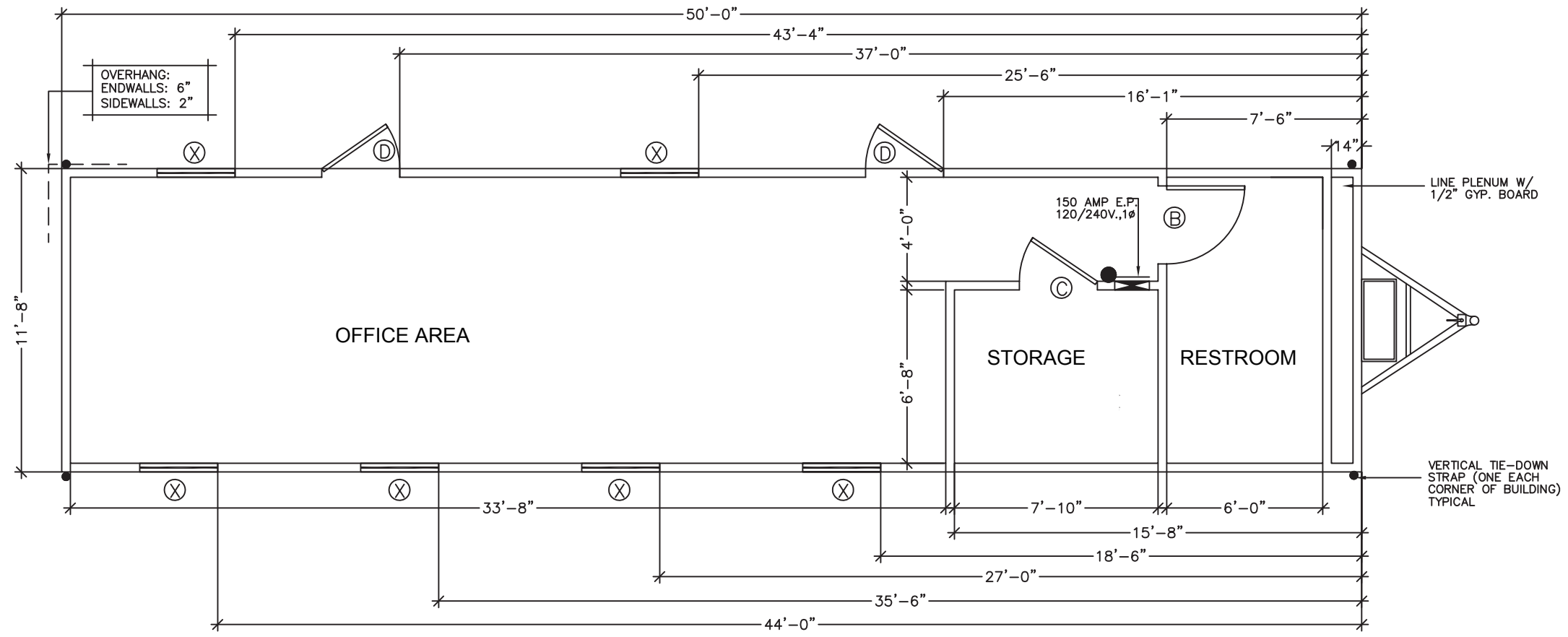
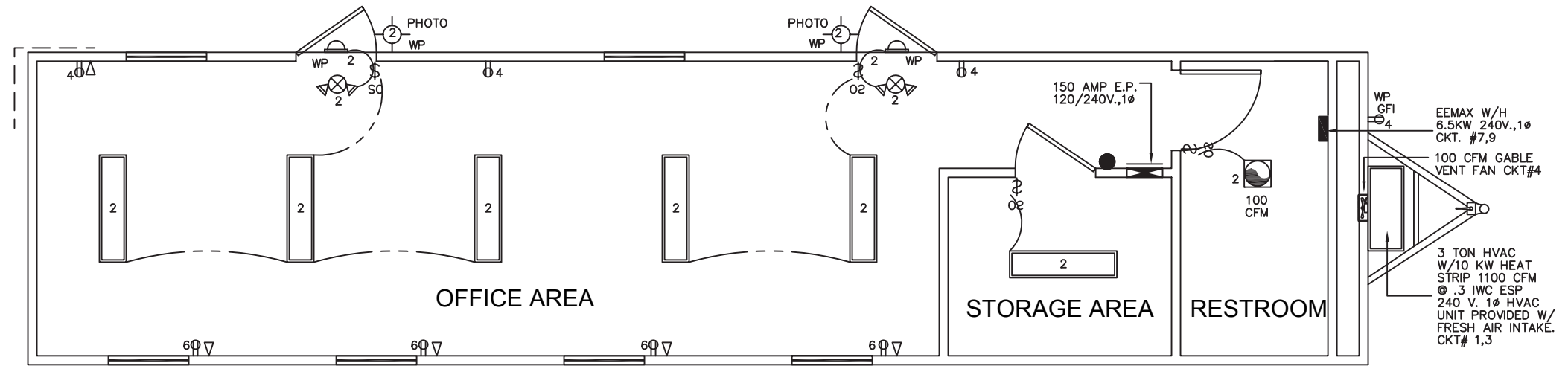


# OVERVIEW FLOOR PLAN



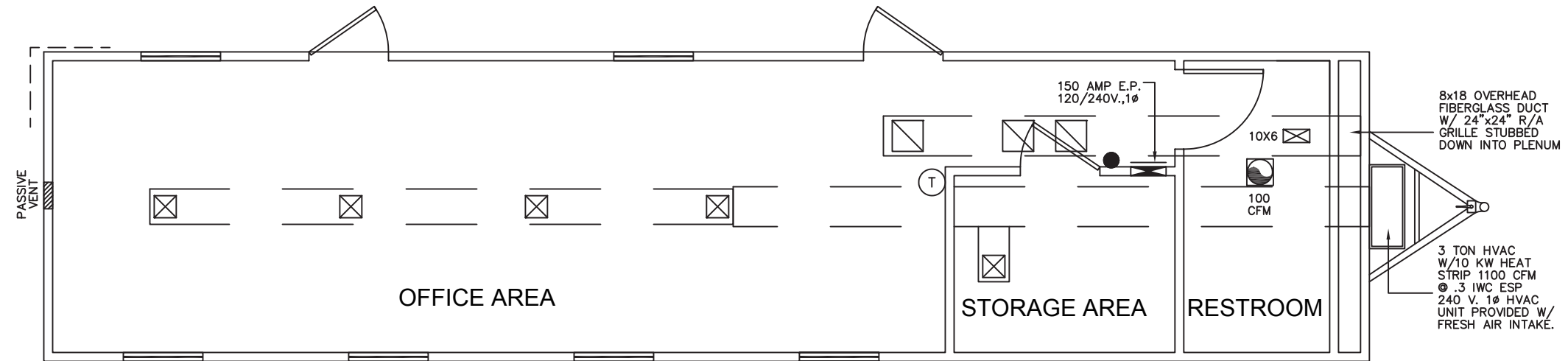
# 12 x 50 MOBILE OFFICE - DUNLAP, TN

# LIGHTING AND ELECTRICAL



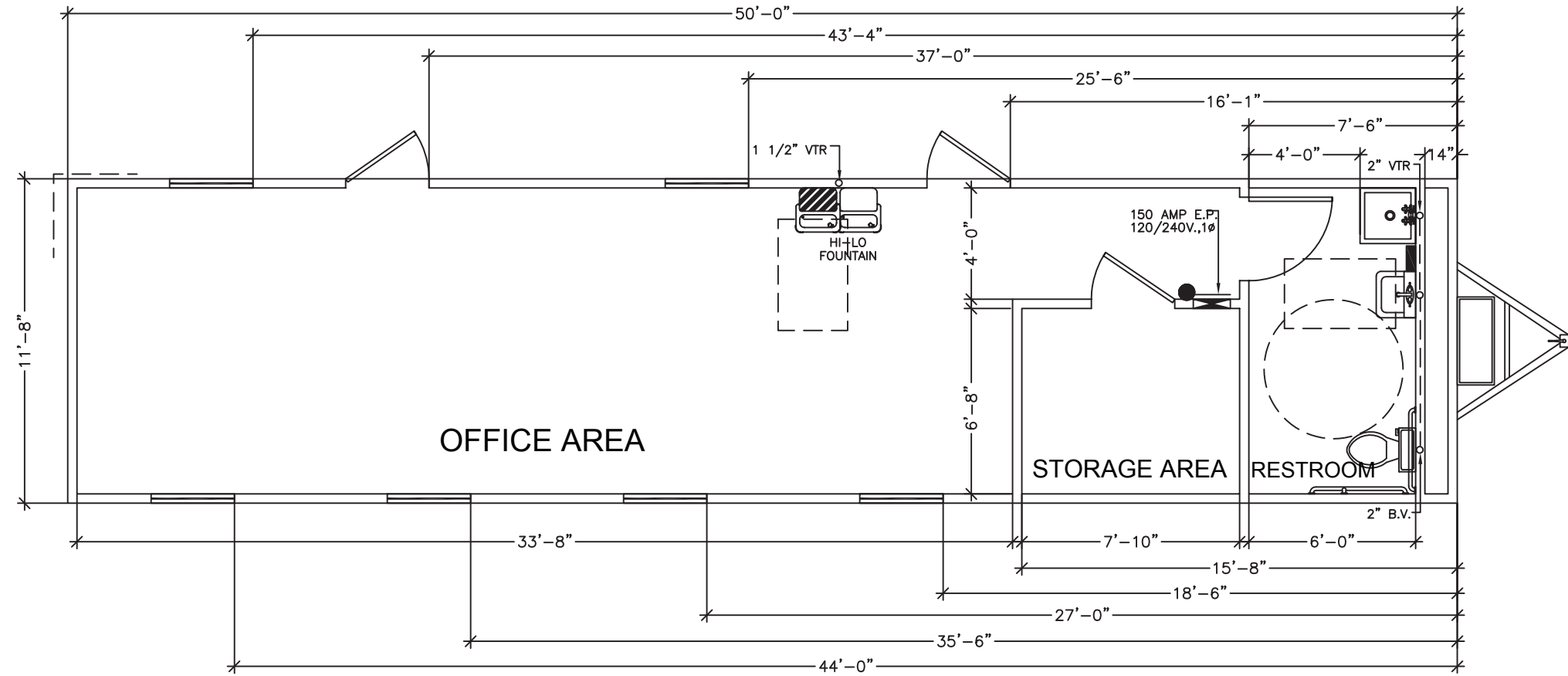
## 12 X 50 MOBILE OFFICE - DUNLAP, TN

# HVAC



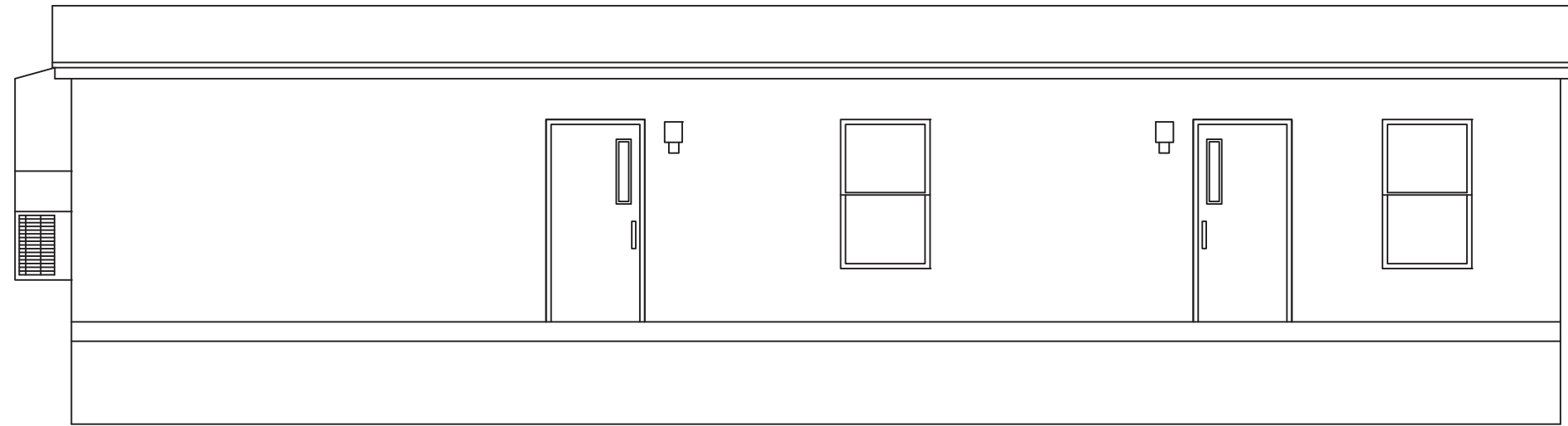
# 12 X 50 MOBILE OFFICE - DUNLAP, TN

# PLUMBING

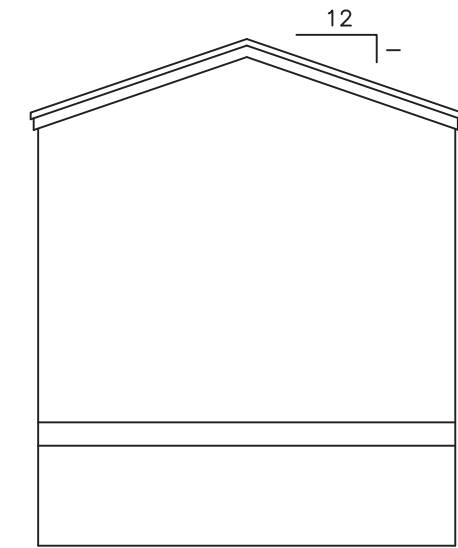


# 12 X 50 MOBILE OFFICE - DUNLAP, TN

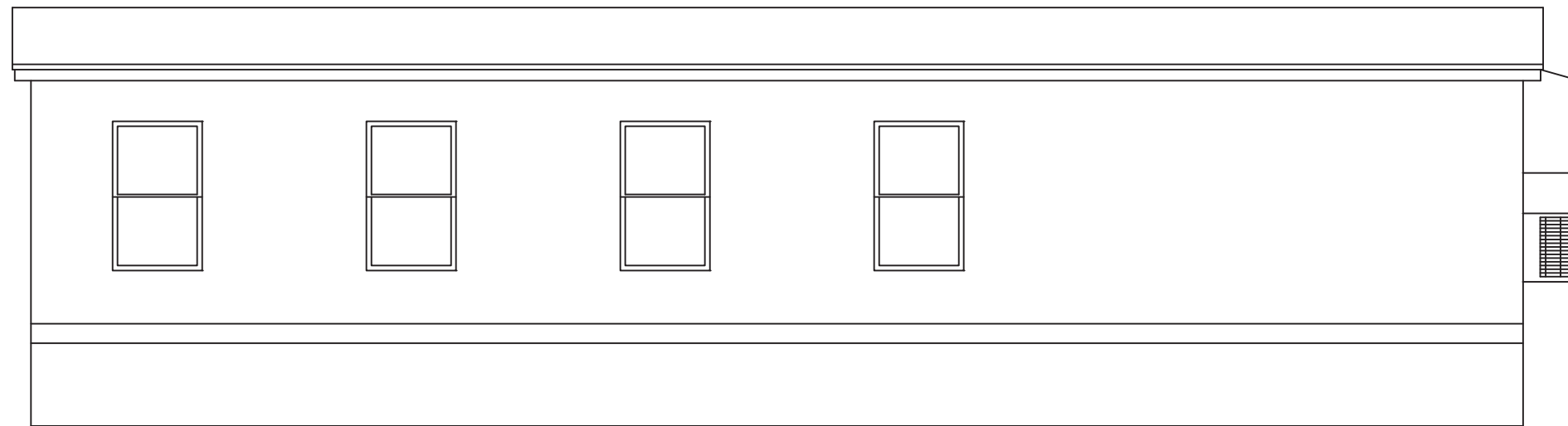
# ELEVATIONS



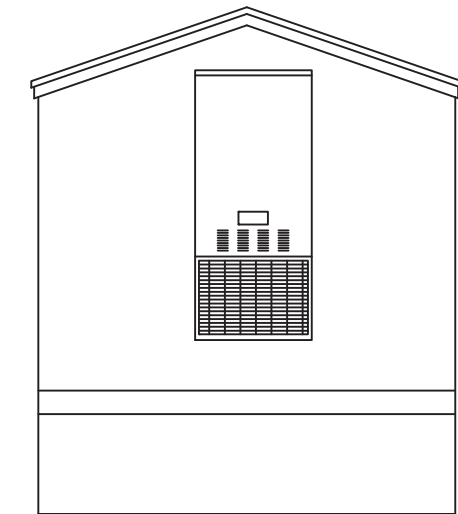
FRONT



RIGHT



REAR



LEFT

# 12 X 50 MOBILE OFFICE - DUNLAP, TN