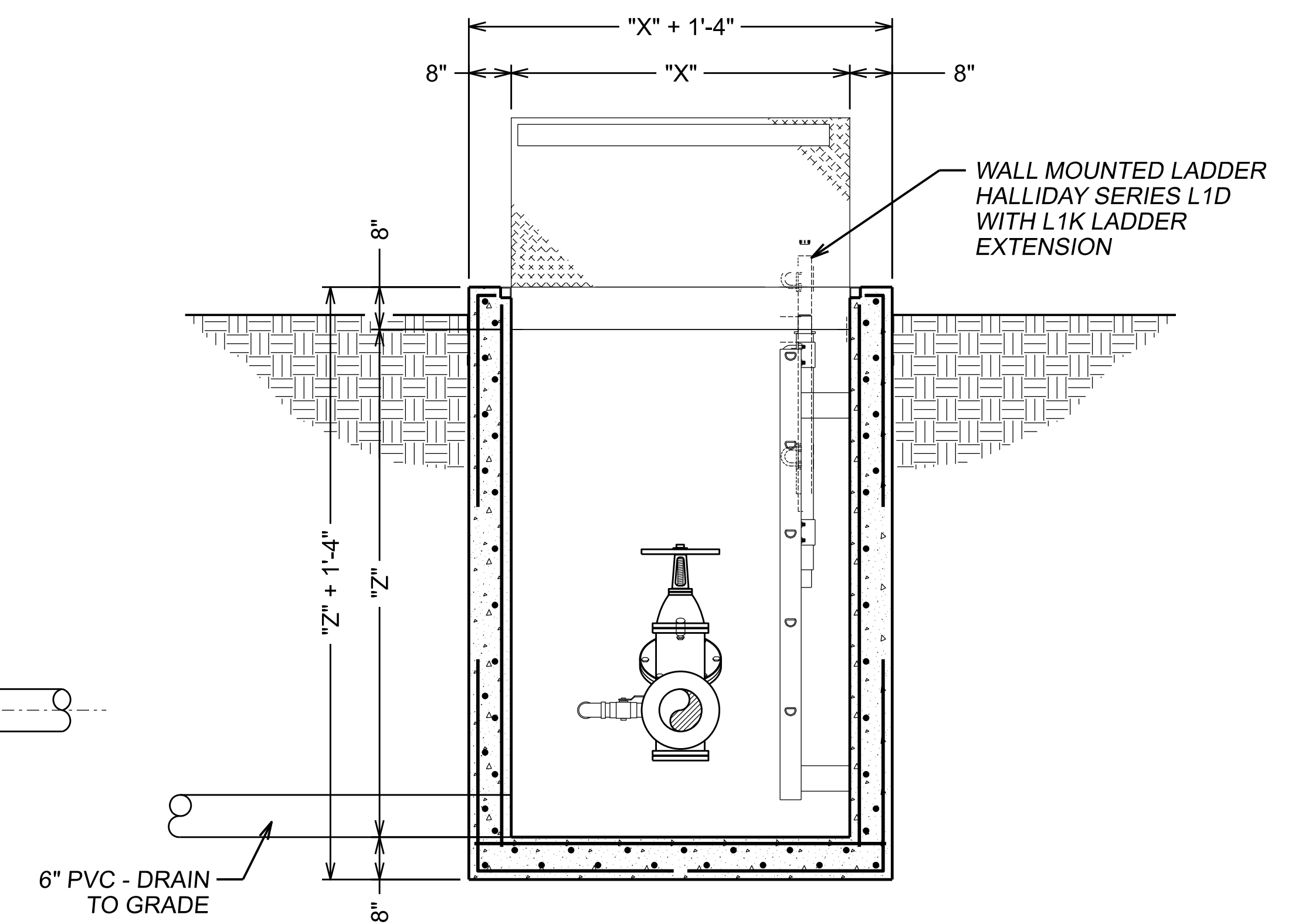
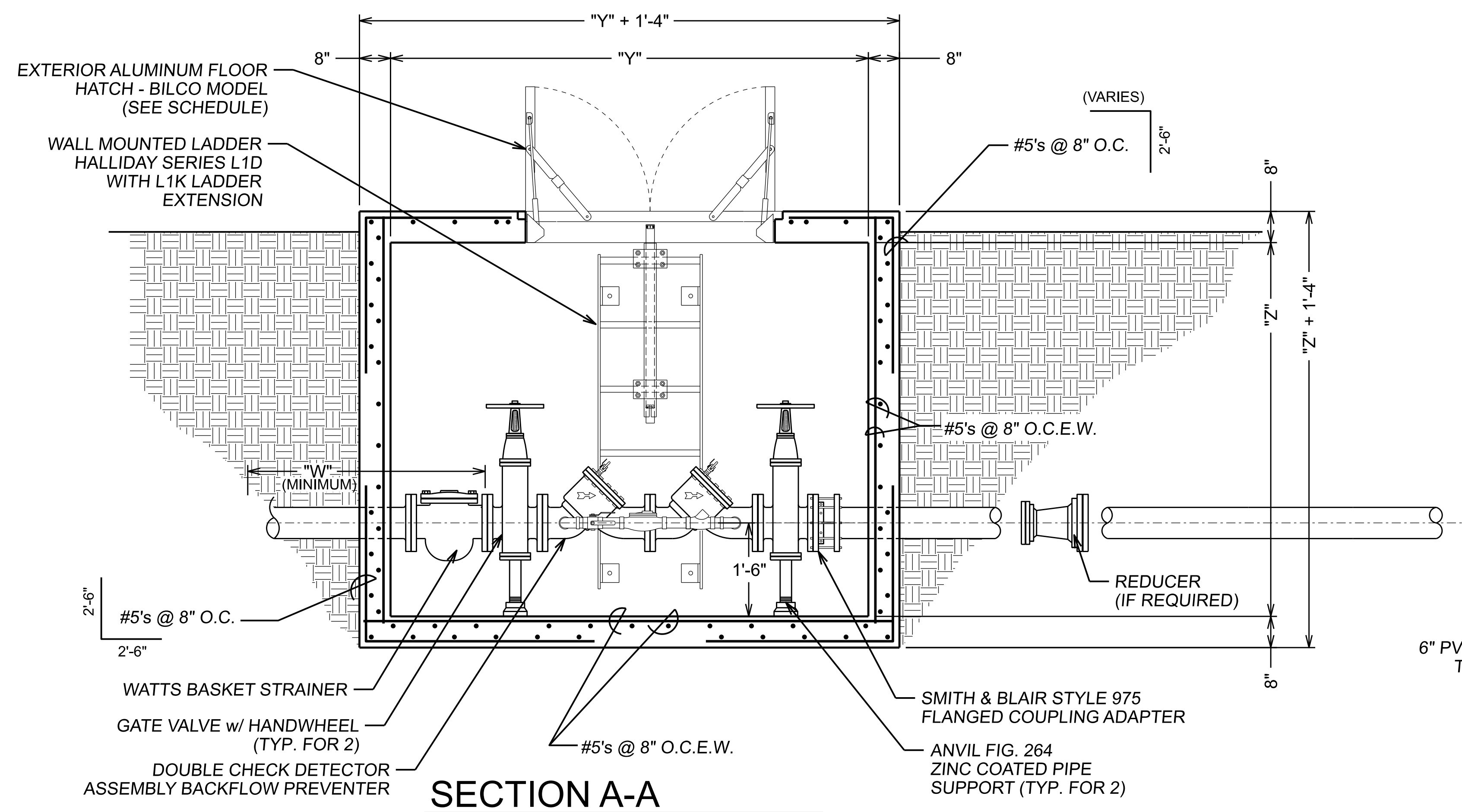


GENERAL NOTES

- DOUBLE CHECK DETECTOR ASSEMBLY BACKFLOW PREVENTERS SHALL BE WATTS SERIES 709DCDA WITH DISTRICT STANDARD NEPTUNE METER
- PIPE TO MEET AWWA C150 CLASS 52 DUCTILE IRON.
- FITTINGS TO MEET AWWA C153 CLASS 350 COMPACT, ALL M.J. FITTINGS SHALL USE WEDGE RESTRAINER GLANDS.
- VALVES TO BE RESILIENT WEDGE MEETING AWWA C509 REQUIREMENTS.
- CONCRETE VAULT TO MEET REQUIREMENTS OF ASTM C857-95 STRUCTURAL DESIGN.
- DRAIN LINE SHALL BE 6" SIZE - SLOPED TO GRADE OR APPROVED SUMP PUMP INSTALLATION.

DOUBLE CHECK DETECTOR ASSEMBLY BACKFLOW PREVENTER SCHEDULE					
SIZE	"X"	"Y"	"Z"	"W"	BILCO HATCH
3 - INCH	3'-0"	6'-0"	5'-0"	2'-0"	J2-AL
4 - INCH	3'-0"	7'-0"	5'-0"	2'-6"	J2-AL
6 - INCH	4'-0"	7'-6"	5'-0"	3'-3"	JD-2AL
8 - INCH	6'-0"	1'-0"	5'-0"	4'-0"	JD-2AL
10 - INCH	6'-0"	10'-0"	5'-0"	4'-10"	JD-3AL



JAMES C. HAILEY & COMPANY
 Consulting Engineers
 Brentwood, Tennessee 37027
 PH: 615-883-4933 FAX: 615-883-4937
 http://www.jchengr.com

PRELIMINARY

HB & TS UTILITY DISTRICT Williamson County, Tennessee			TDOT AT LEWISBURG PIKE DOUBLE CHECK DETECTOR ASSEMBLY BACKFLOW PREVENTER (UNDERGROUND)		
DESIGN JCH	DRAWN LLB	CHECKED JCH	DATE APR. 2021	SCALE 3/4" = 1'-0"	PROJECT NO. 21128